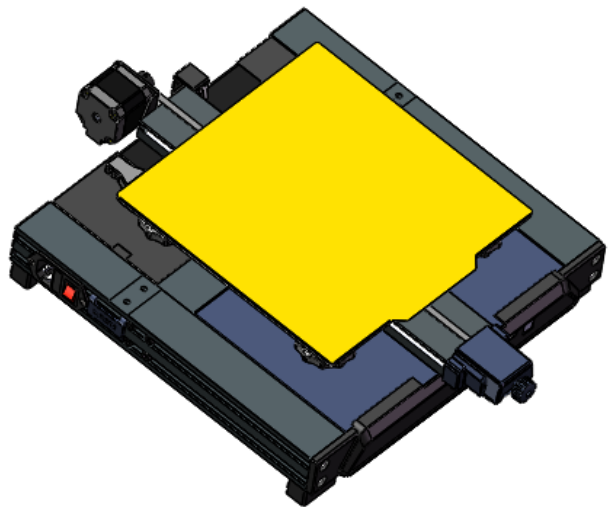


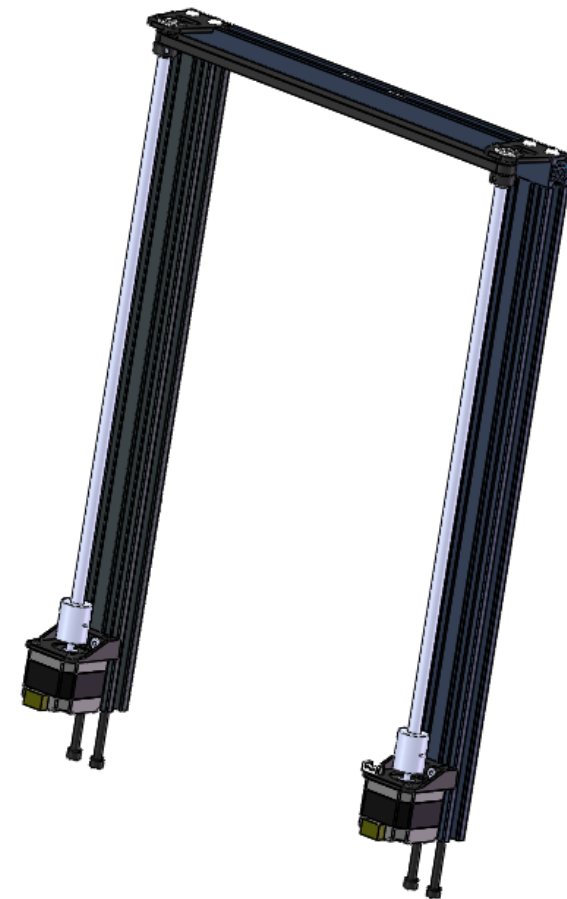
20.202.0021B  
Neptune 4 裸机-B  
Bare Machine-B



20.203.0055B  
Neptune 4 底座套件-B  
Base Kit-B



20.203.0056B  
Neptune 4 X轴套件-B  
X-Axis Kit-B



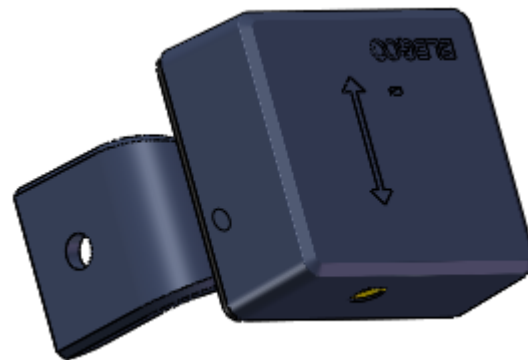
20.203.0057B  
龙门架套件-B  
Gantry Column Kit-B



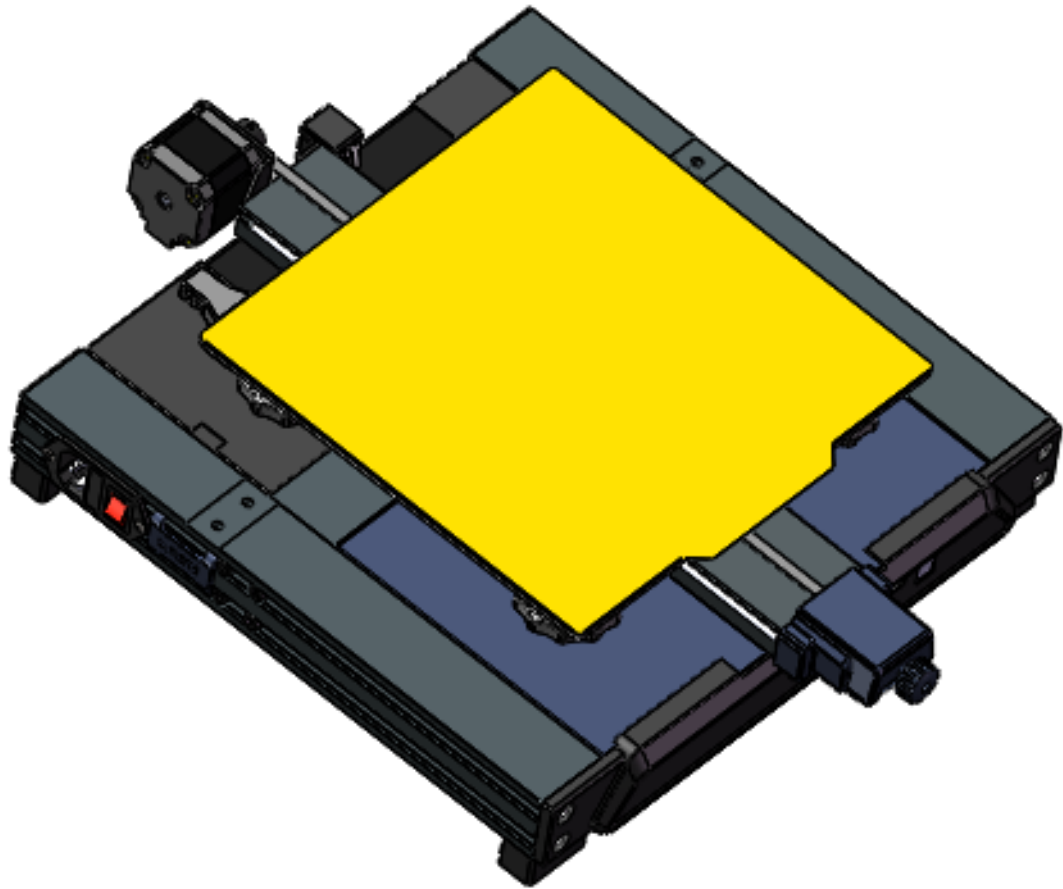
20.203.0029  
显示屏套件  
Touchscreen Kit



20.203.0031  
料架套件  
Spool Holder Kit



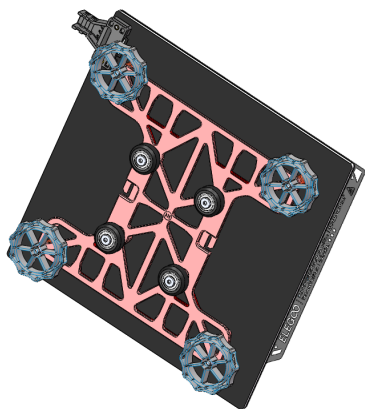
20.203.0030  
断料检测组件  
Filament Runout Detection Assembly



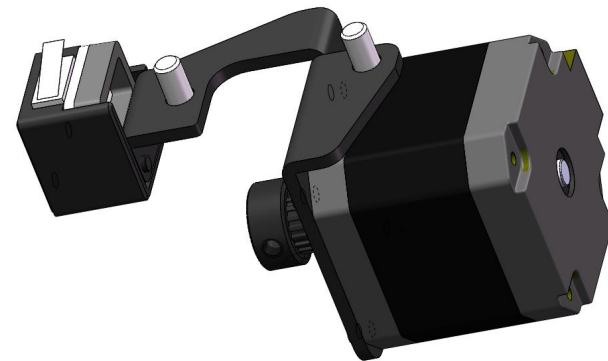
20.203.0055B  
Neptune 4 底座套件-B  
Base Kit-B



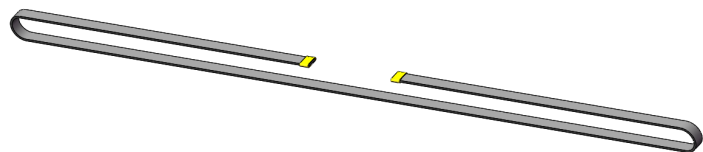
20.204.0111  
底座型材套件  
Base Profile Kit



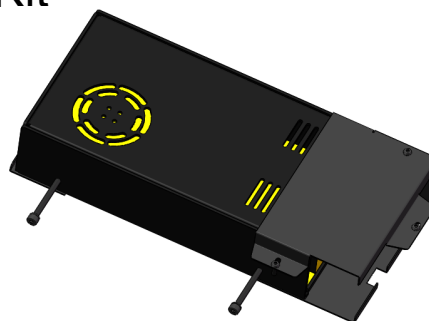
20.204.0113  
底部滑块板套件  
Base Slide Block Kit



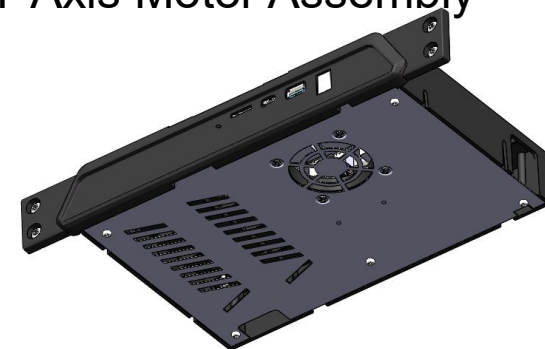
20.204.0132  
Y轴电机组件  
Y-Axis Motor Assembly



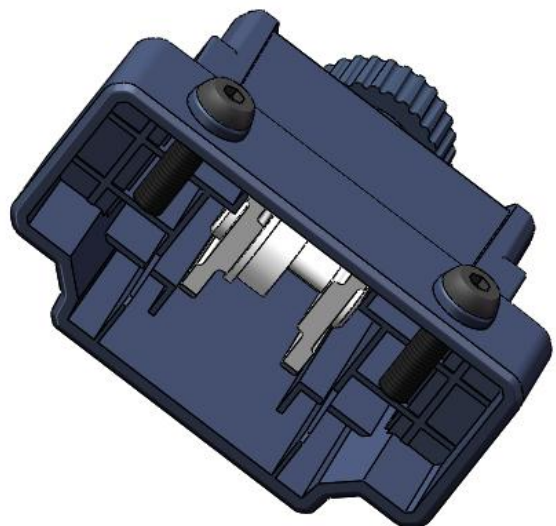
20.204.0050  
Neptune 3 Pro Y轴同步带组件



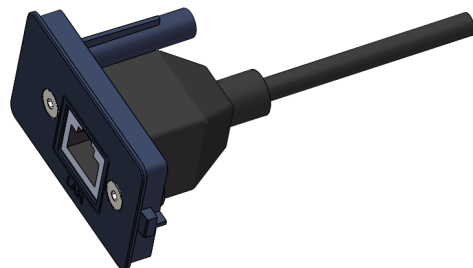
20.204.0116  
电源组件  
Power Assembly



20.204.0114B  
Neptune 4 主板机箱套件-B  
Motherboard Chamber Kit-B



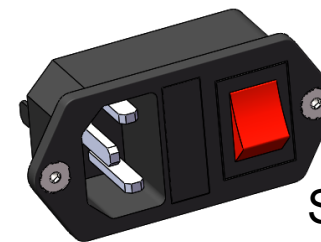
20.204.0054  
Y轴皮带调节器组件  
Y-Axis Belt Tensioner Assembly



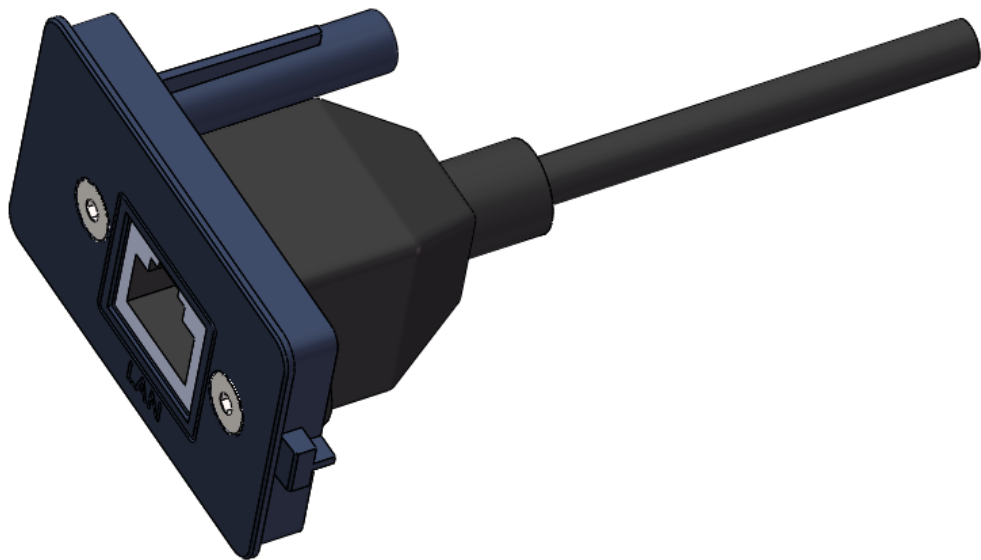
20.204.0112  
网口组件  
LAN Port Assembly



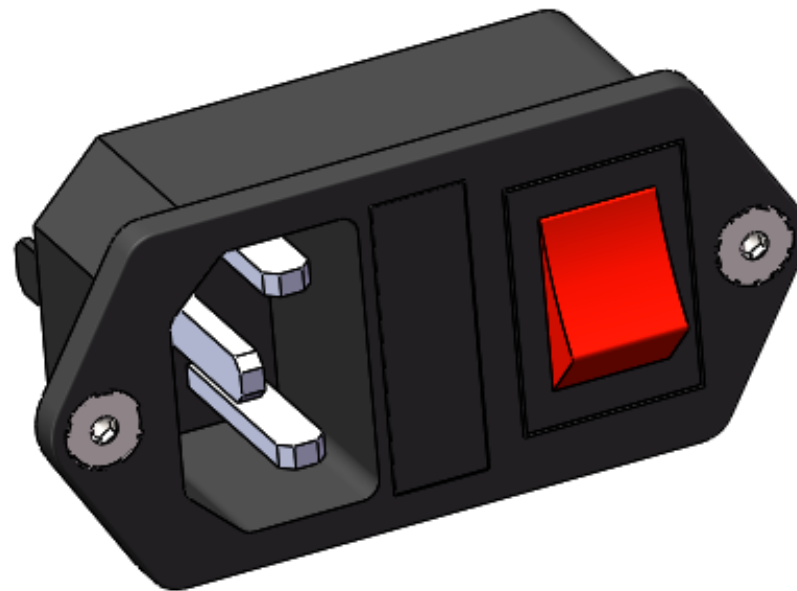
05.201.0063  
排线卡扣  
Cable Clip



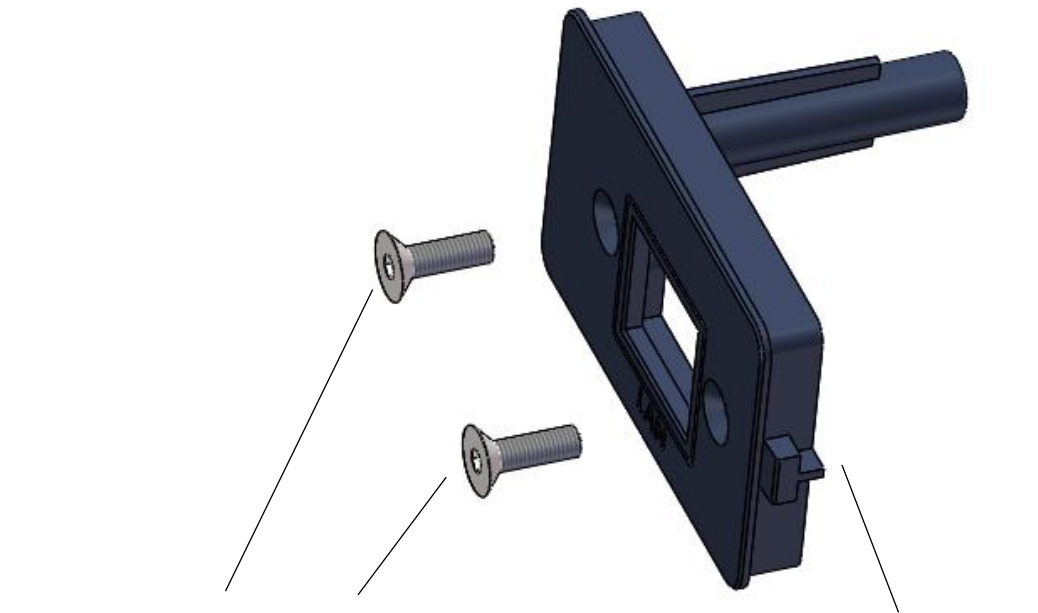
20.204.0056  
开关组件  
Switch Assembly



20.204.0112  
网口组件  
LAN Port Assembly

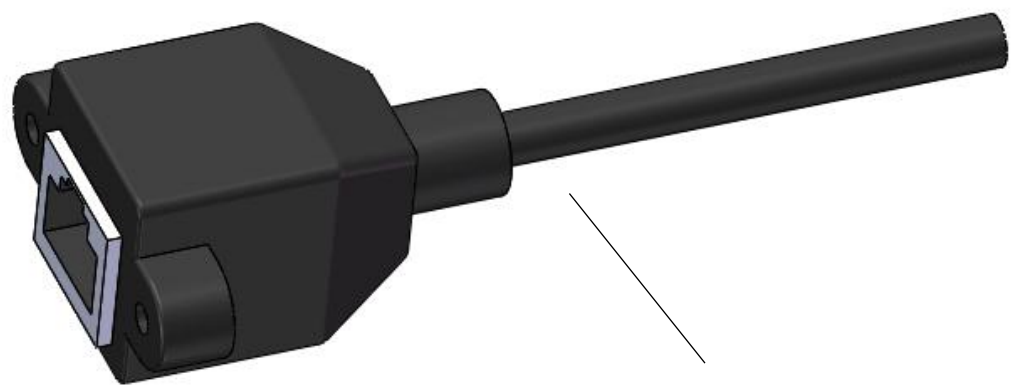


20.204.0056  
开关组件  
Switch Assembly

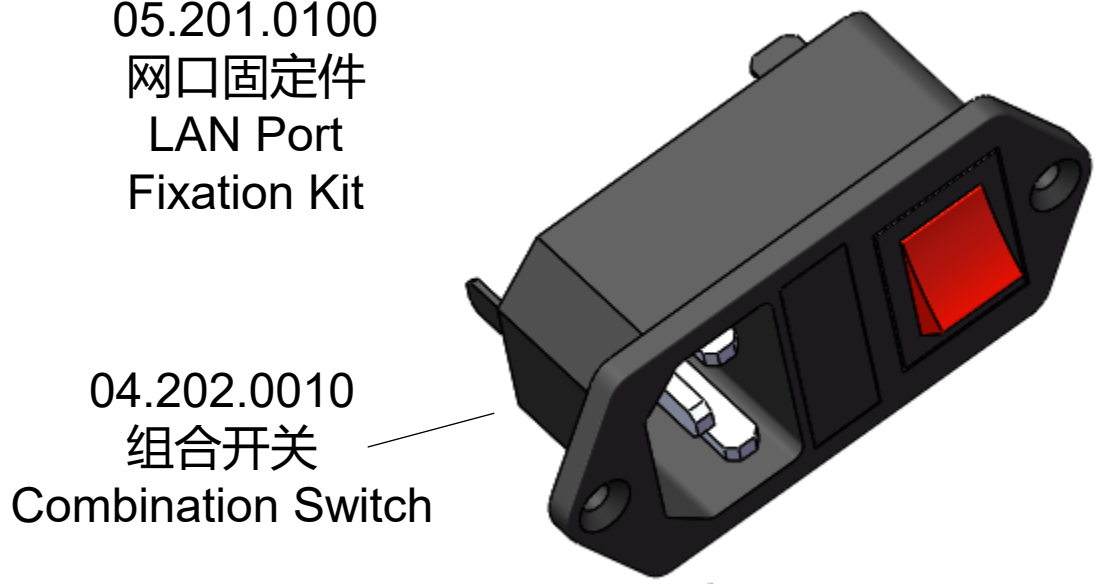


09.201.0002  
内六角沉头螺钉 M3\*10  
M3 x 10 Hex Socket  
Countersunk Head Screw

05.201.0100  
网口固定件  
LAN Port  
Fixation Kit

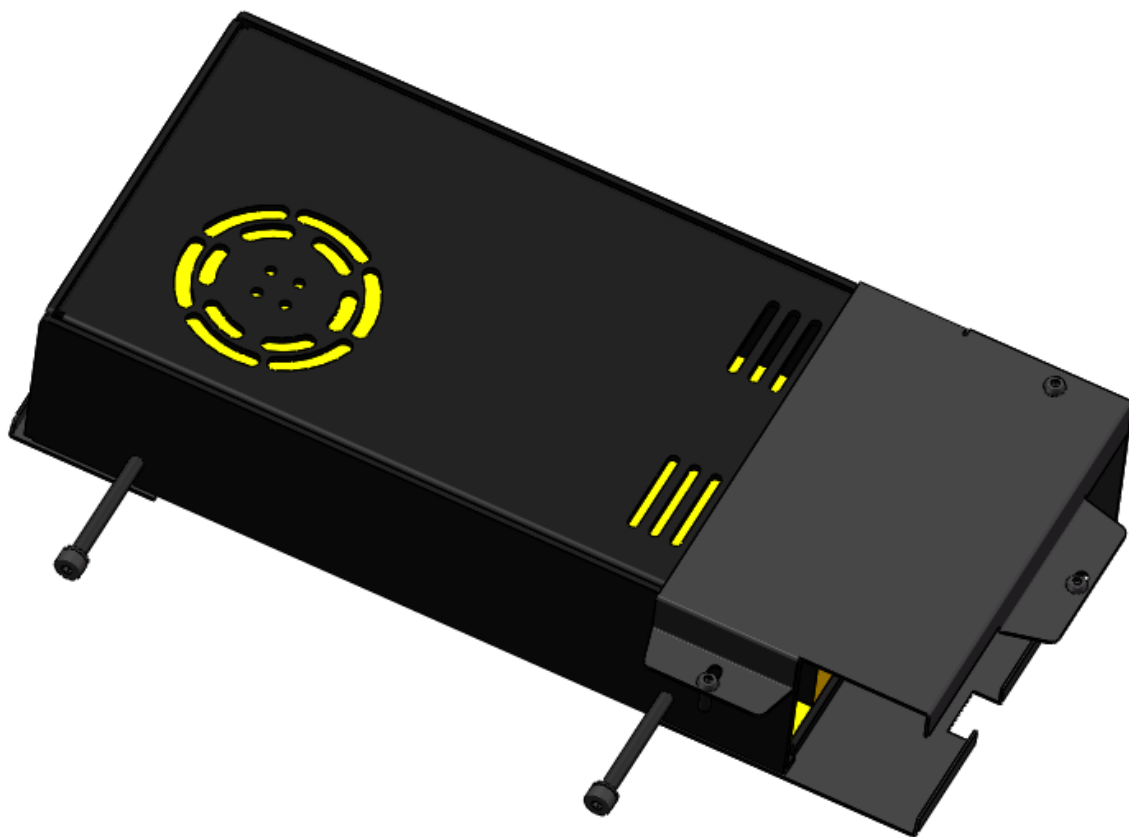


10.202.0094  
网络延长线  
LAN Port Extension Cable



04.202.0010  
组合开关  
Combination Switch

09.201.0011  
内六角沉头螺钉 M3\*6  
M3 x 6 Hex Socket Countersunk Head Screw



20.204.0116  
电源组件  
Power Assembly

04.201.0001  
黑色开关电源  
Black Switch Power

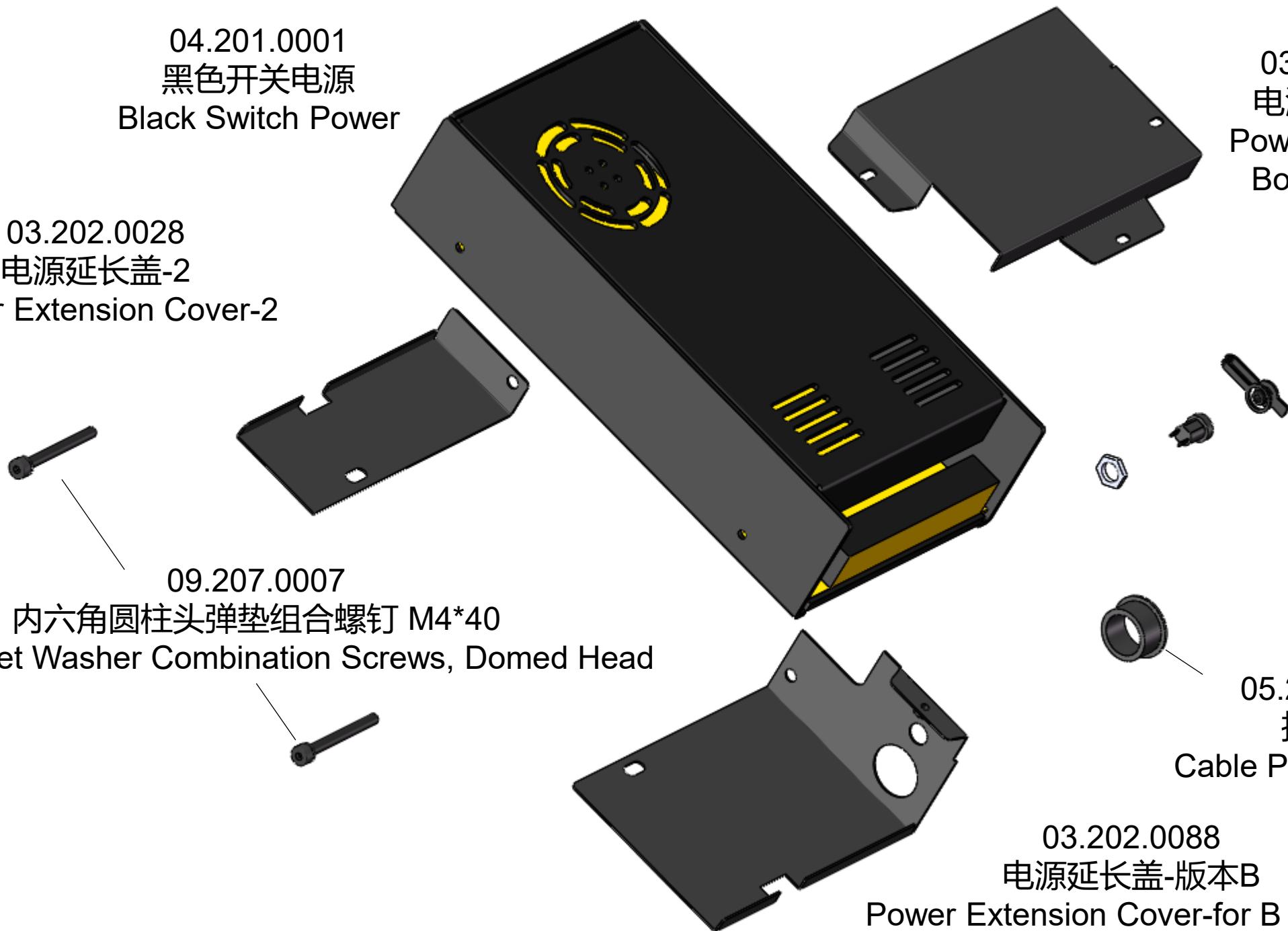
03.202.0016  
电源延长底壳  
Power Extension  
Bottom Cover

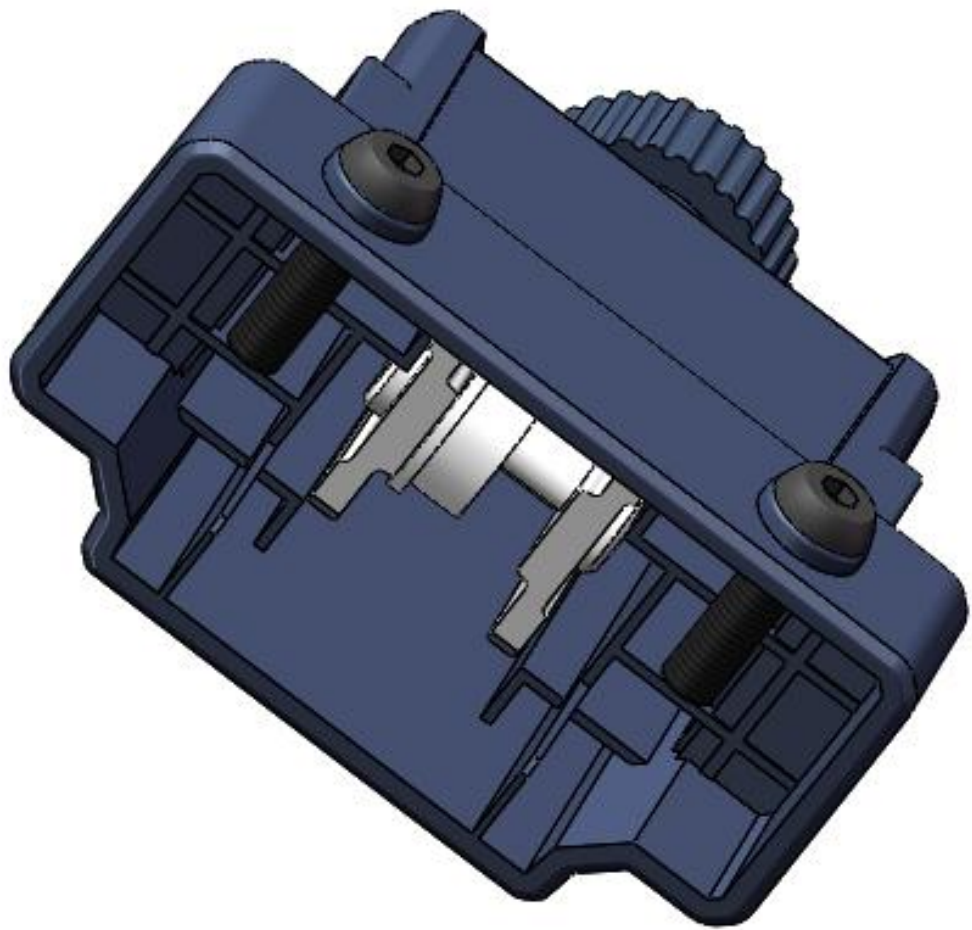
03.202.0028  
电源延长盖-2  
Power Extension Cover-2

09.207.0007  
内六角圆柱头弹垫组合螺钉 M4\*40  
Hex Socket Washer Combination Screws, Domed Head

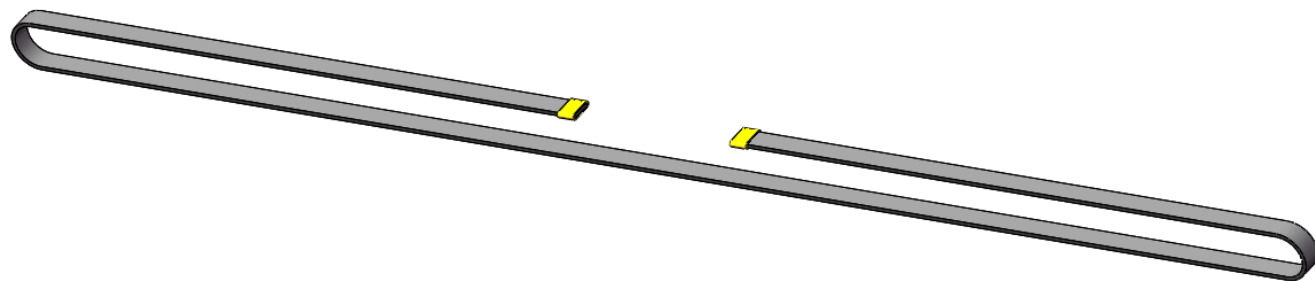
05.209.0005  
护线圈  
Cable Protective Ring

03.202.0088  
电源延长盖-版本B  
Power Extension Cover-for B Version

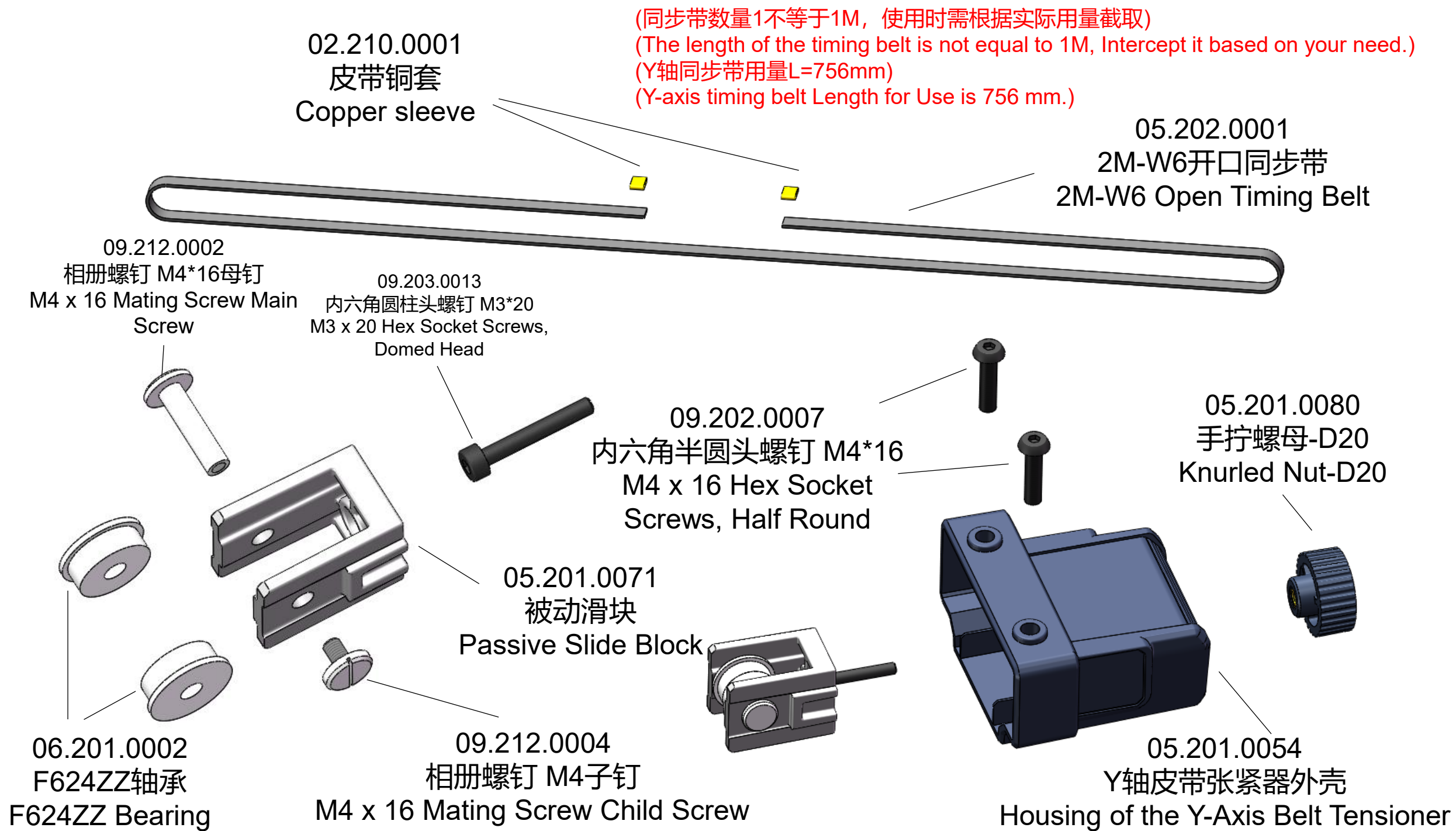


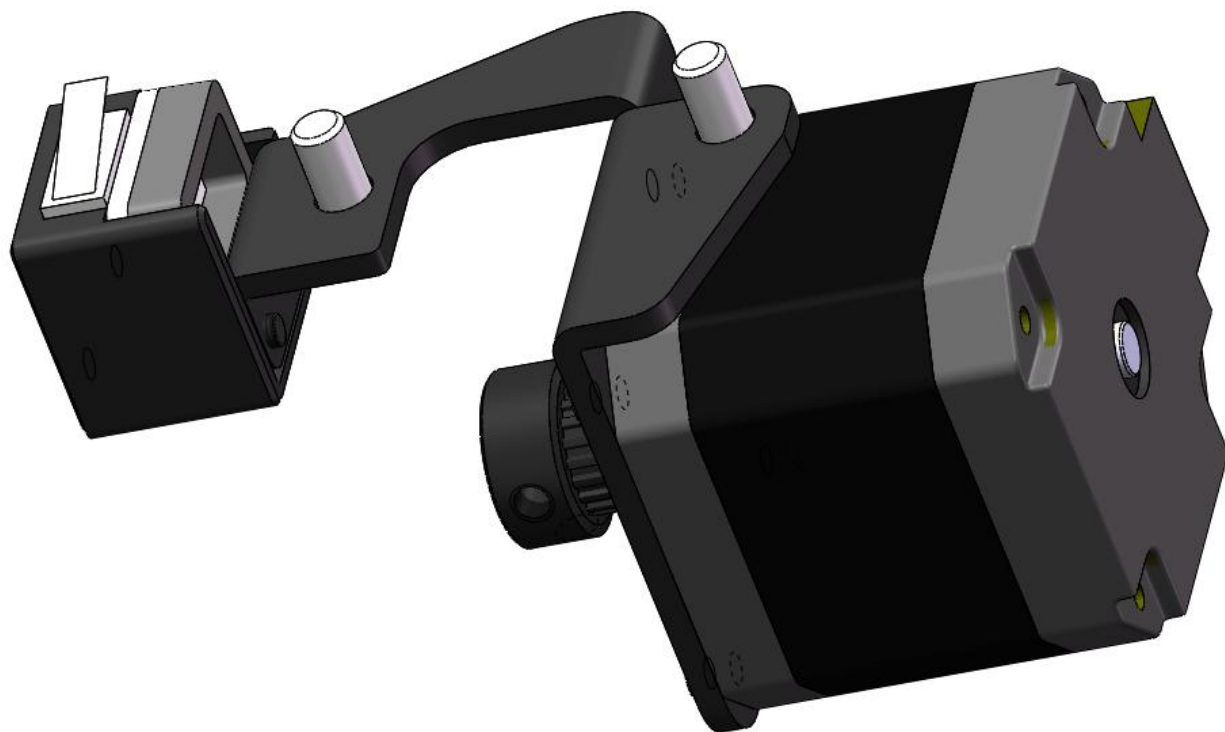


20.204.0054  
Y轴皮带调节器组件  
Y-Axis Belt Adjustment Assembly



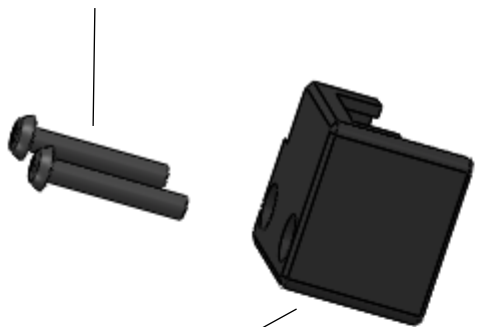
20.204.0050  
Y轴同步带组件  
Y-Axis Timing Belt Assembly





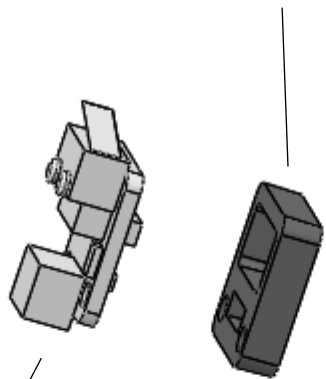
20.204.0132  
Y轴电机组件  
Y-Axis Motor Assembly

09.202.0010  
内六角半圆头螺钉 M3\*18  
M3 x 18 Hex Socket Screws, Half Round



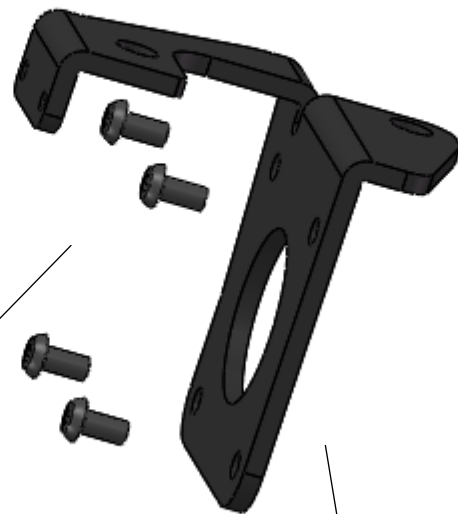
05.201.0101  
Y轴限位外壳  
Y-Axis Limit Switch Housing

05.201.0053  
Y轴限位座  
Y-Axis Limit Base



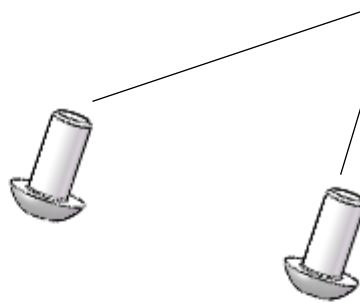
04.202.0012  
限位开关-2  
Limit Switch-2

09.202.0001  
内六角半圆头螺钉 M3\*6  
M3 x 6 Hex Socket  
Screws, Half Round

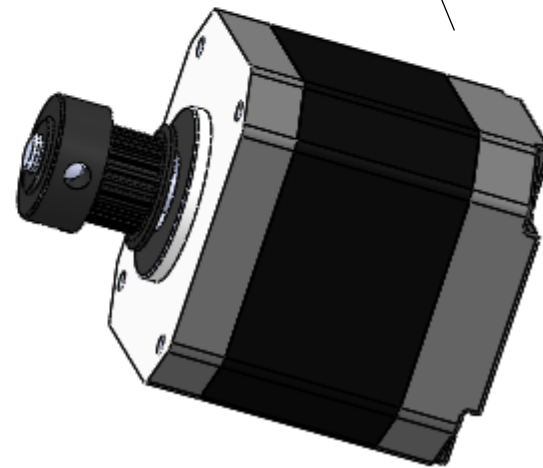


03.202.0089  
Y轴电机固定架-版本B

09.202.0021  
内六角半圆头螺钉 M5\*10  
M5 x 10 Hex Socket Screws, Half Round

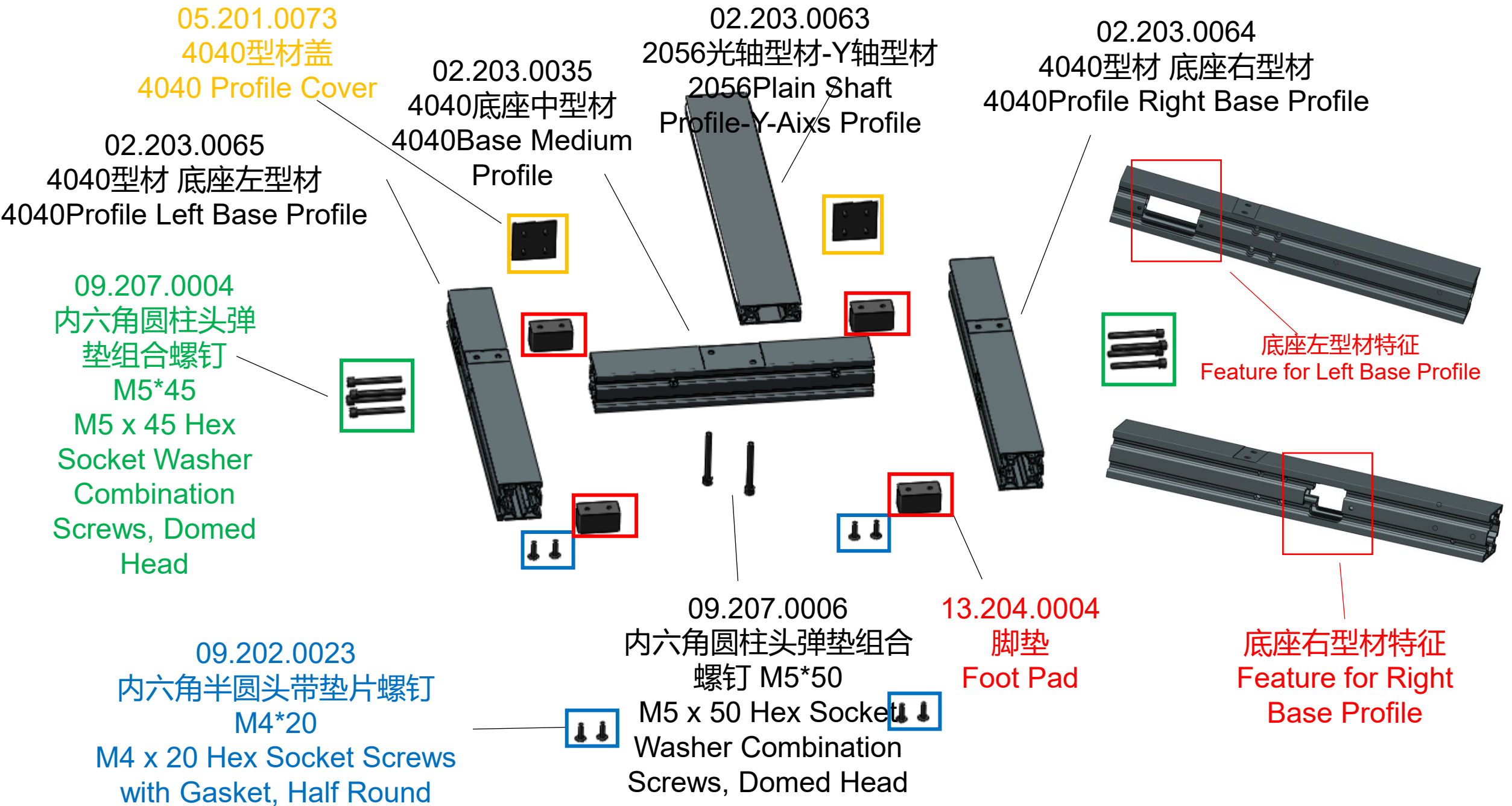


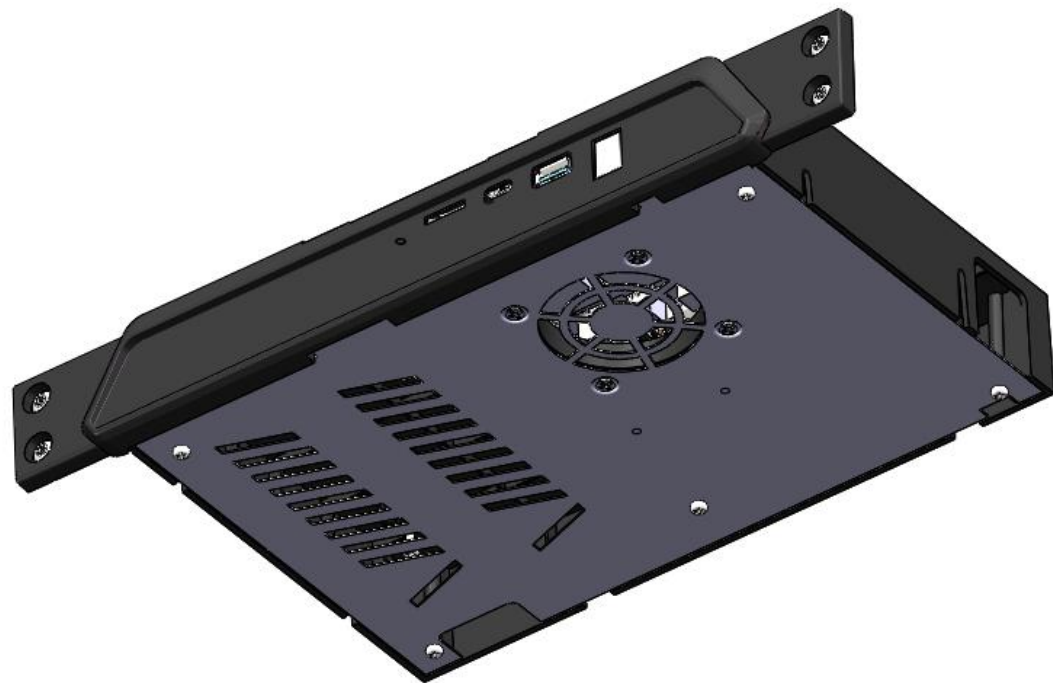
08.201.0022  
42-40-L13黑色步进电机  
42-40 Black High-Speed Motor



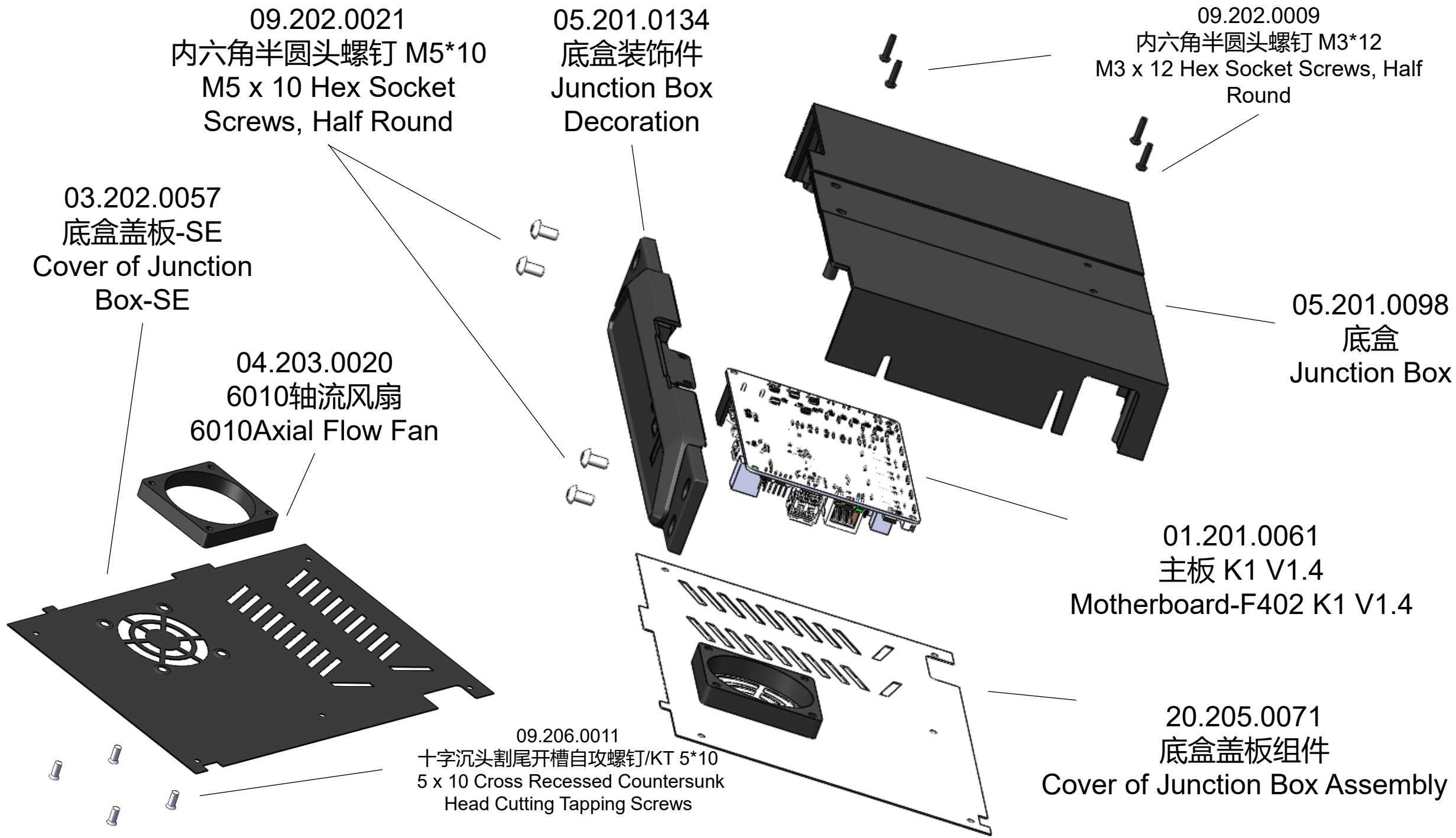


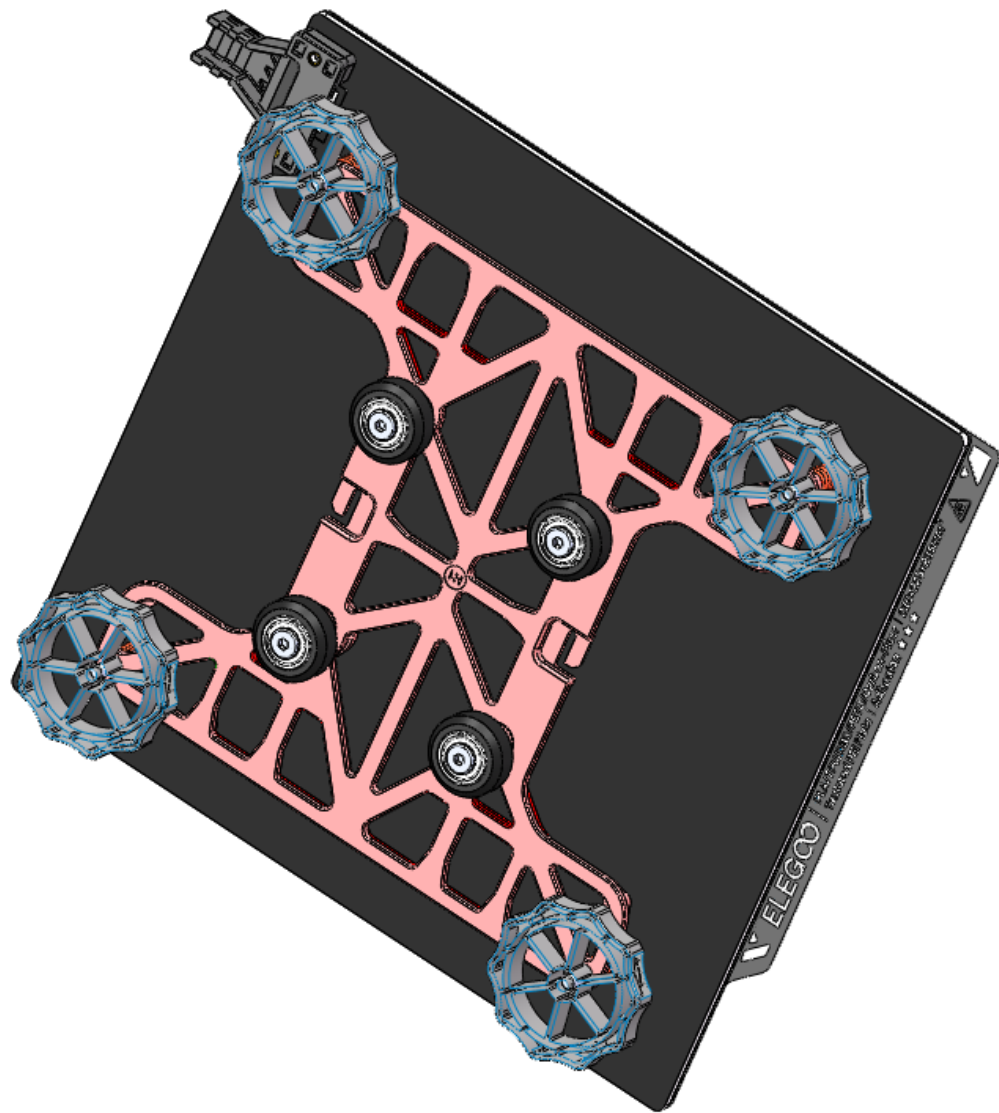
20.204.0111  
底座型材套件  
Base Profile Kit





20.204.0114B  
Neptune 4 主板机箱套件-B  
Motherboard Chamber Kit-B



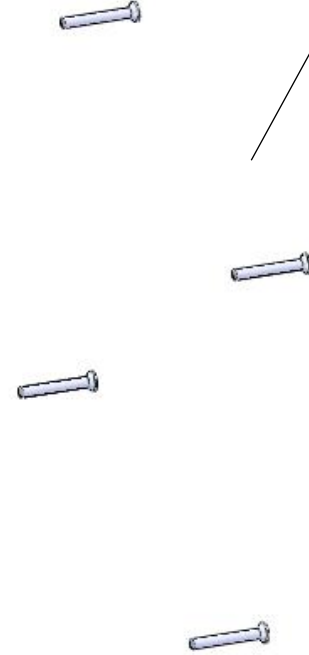
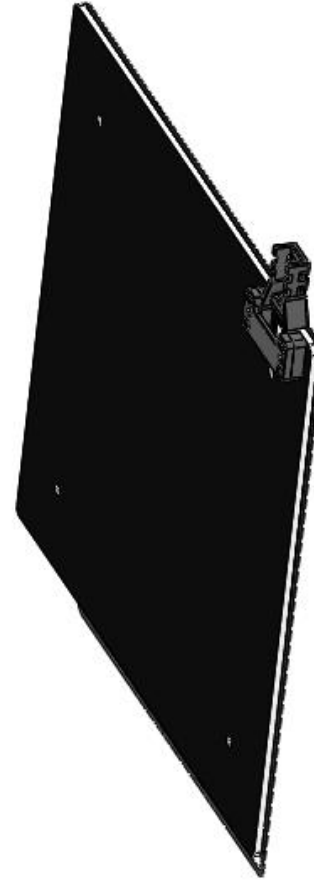
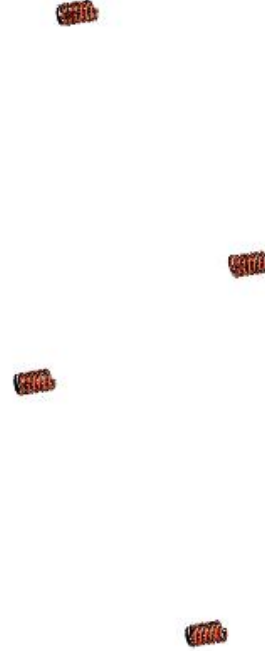
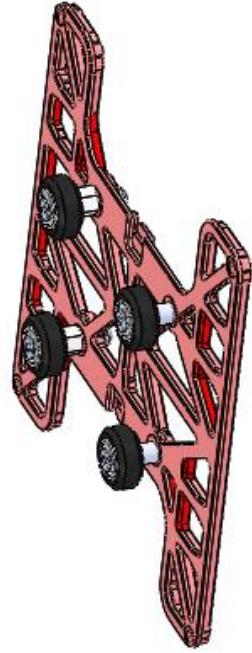


20.204.0113  
底部滑块板套件  
Base Slider Block Kit

20.205.0068  
底部滑块板组件  
Base Slider Block Kit

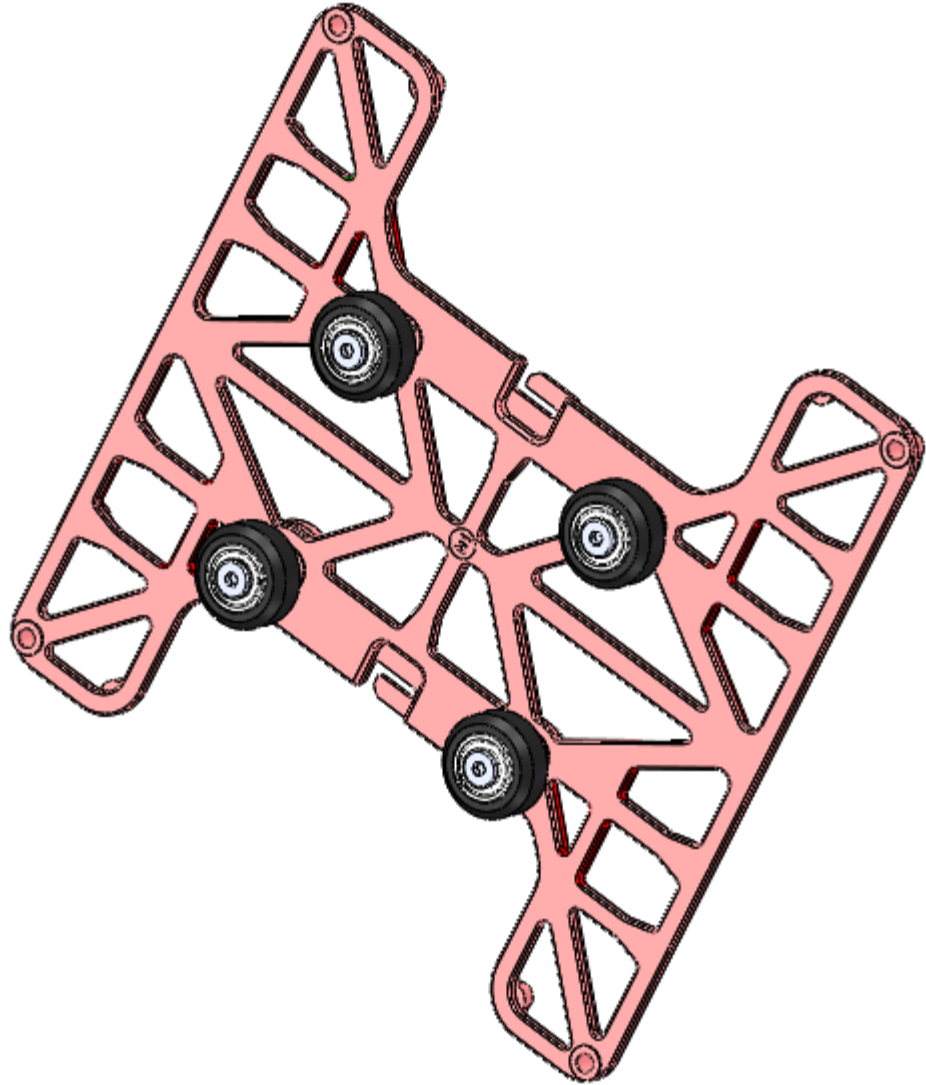
06.204.0004  
模具弹簧D8\*20  
D8 x 20  
Mould Coil Spring

09.201.0027  
内六角沉头螺钉 M4\*35  
M4 x 35 Hex Socket Countersunk  
Head



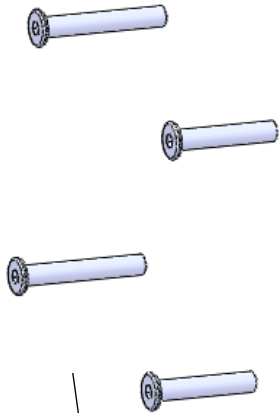
05.201.0077  
手拧螺母-D50  
Knurled Nut-D50

20.205.0069  
Neptune 4 热床板套件Heated Bed Kit



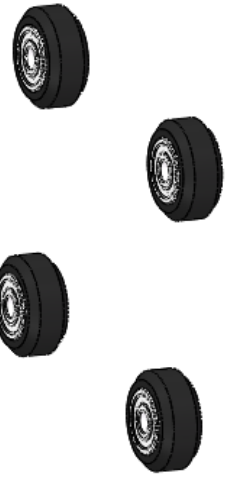
20.205.0068  
底部滑块板组件  
Base Silder Block Kit

20.206.0001  
滑轮组件  
Slider Pulley Assembly

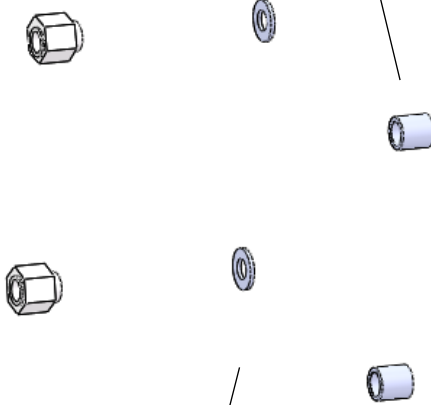


09.211.0004  
扁平头内六角螺钉 M5\*35

02.211.0001  
偏心轮  
Eccentric Wheel

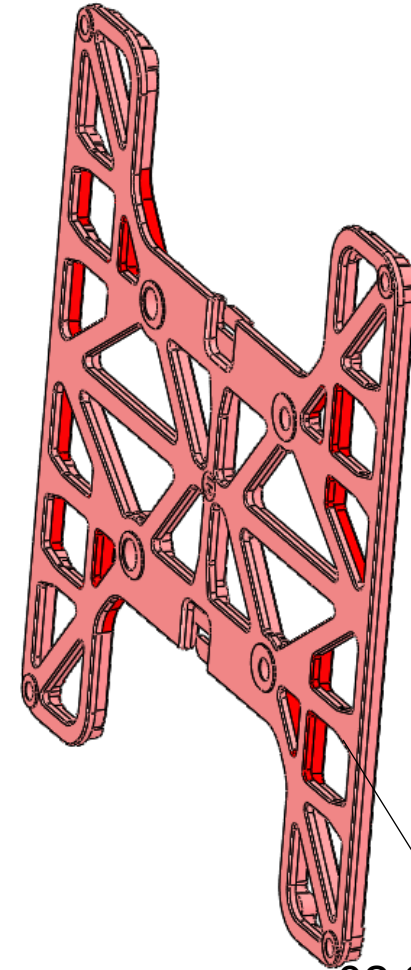


02.209.0002  
隔离柱  
Spacer



09.204.0003  
平垫 M5

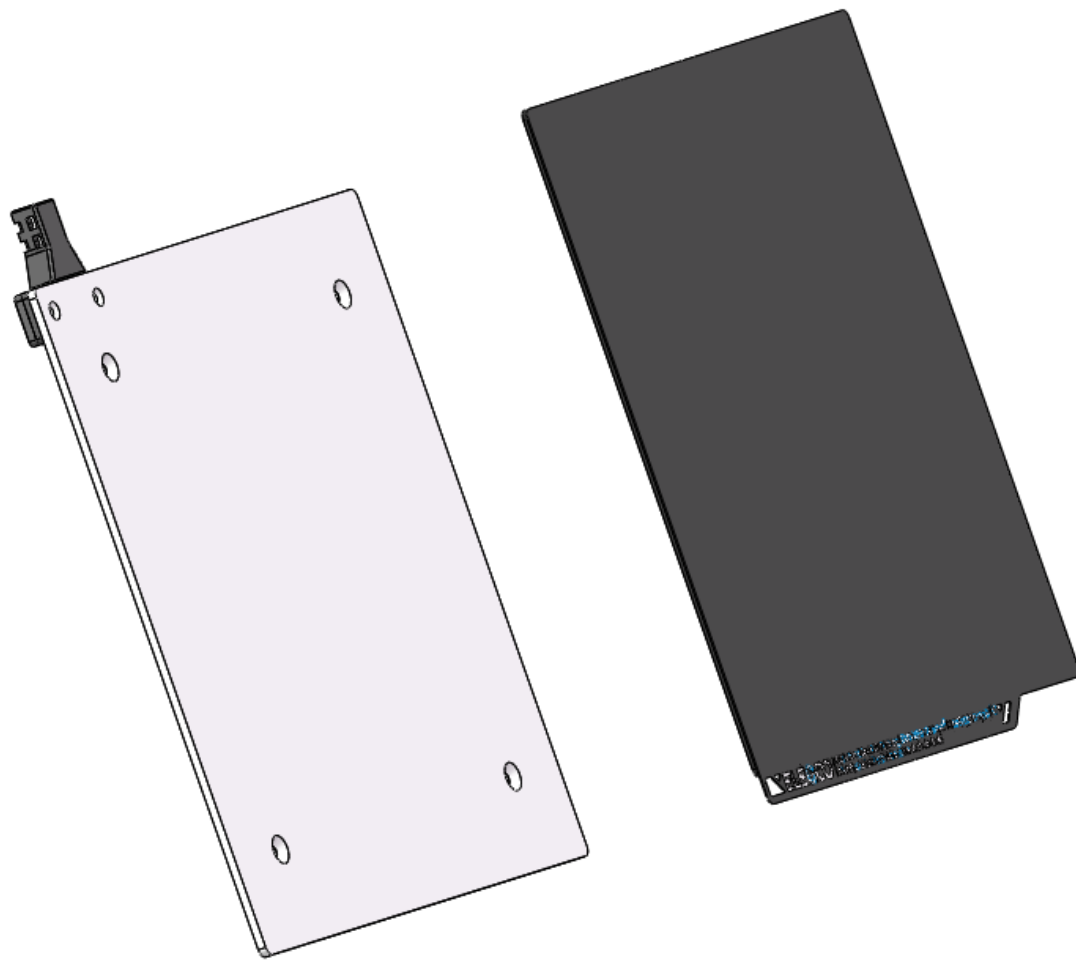
09.205.0001  
自锁螺母 M5



02.202.0002  
底部滑块板-压铸件  
Base Slider Block Assembly-Pressure Casting

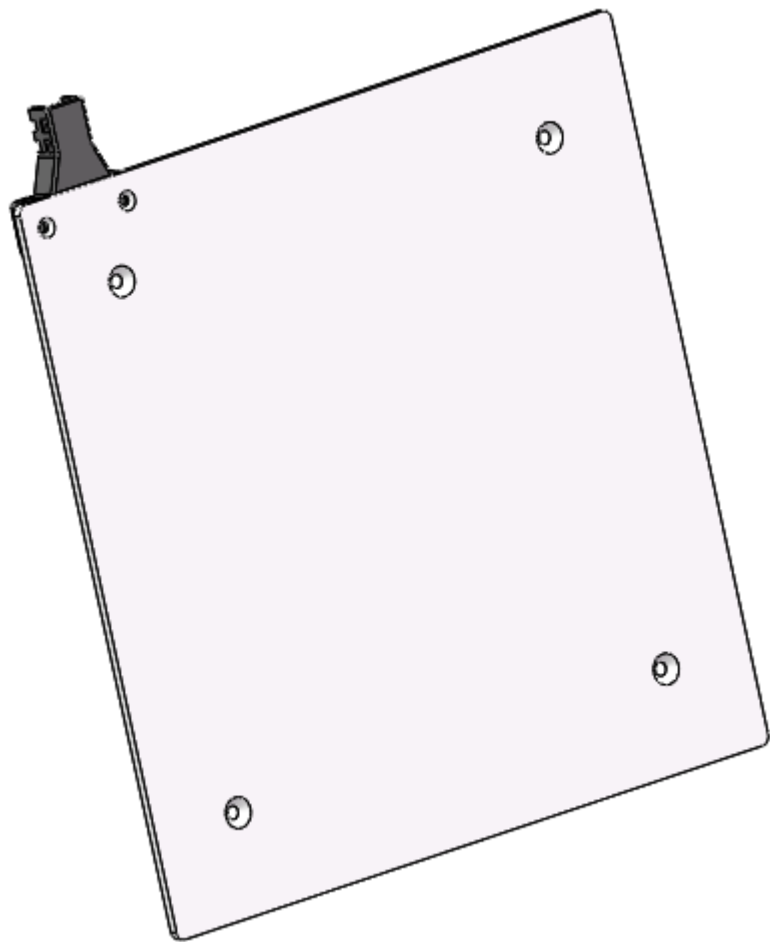


20.205.0069  
Neptune 4 热床板套件  
Heated Bed Kit



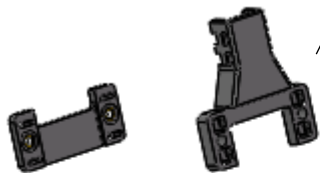
20.206.0026  
Neptune 4 热床板组件  
Heated Bed Assembly

20.206.0027  
Neptune 4 平台贴纸组件  
Build Surface Sticker Assembly



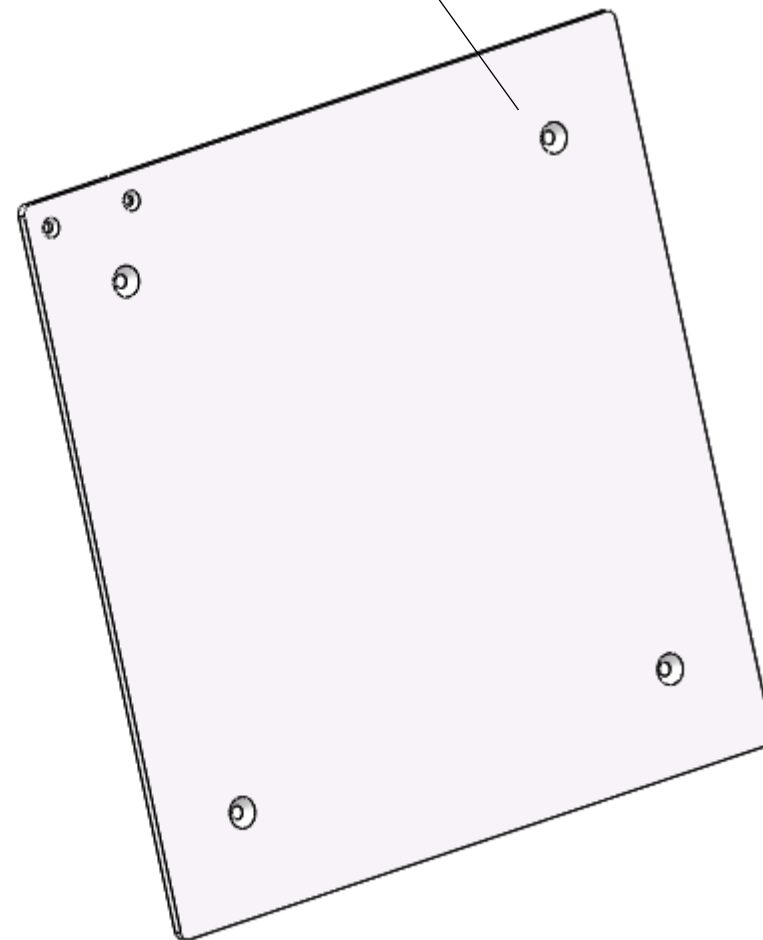
20.206.0026  
Neptune 4 热床板组件  
Heated Bed Assembly

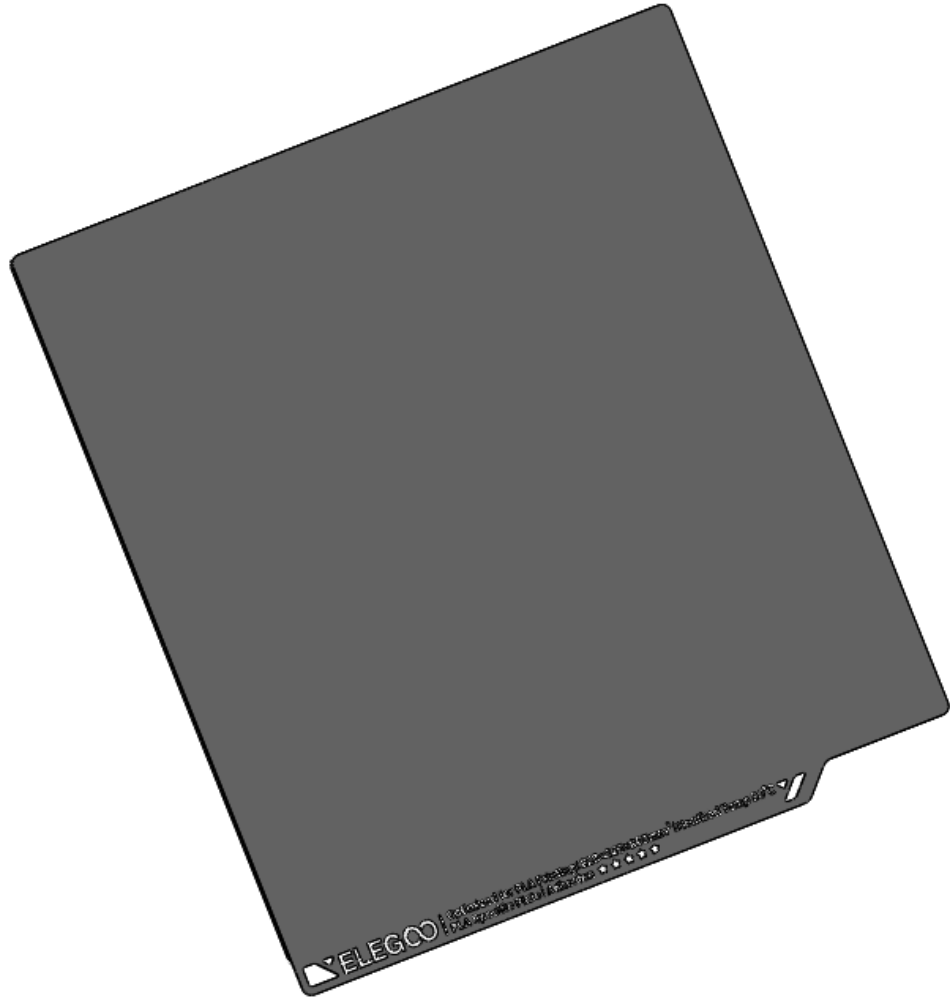
05.201.0122  
热床线固定件  
Heated Bed Fixation



05.201.0123  
热床线固定件盖  
Heated Bed Cable  
Fixation Cover

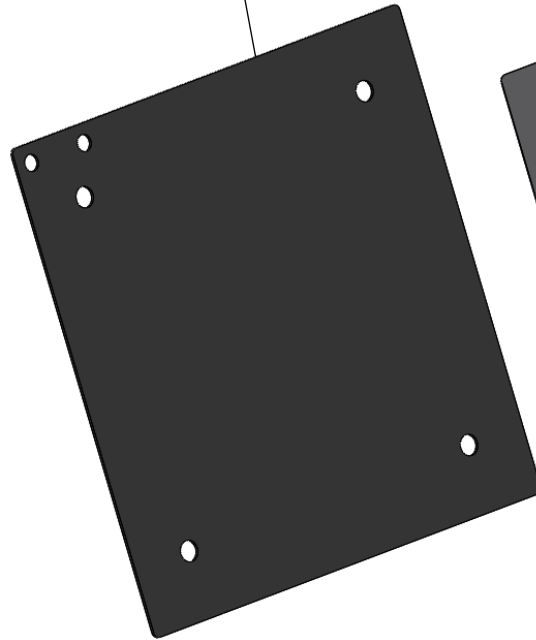
04.209.0006  
热床板  
Heating Bed



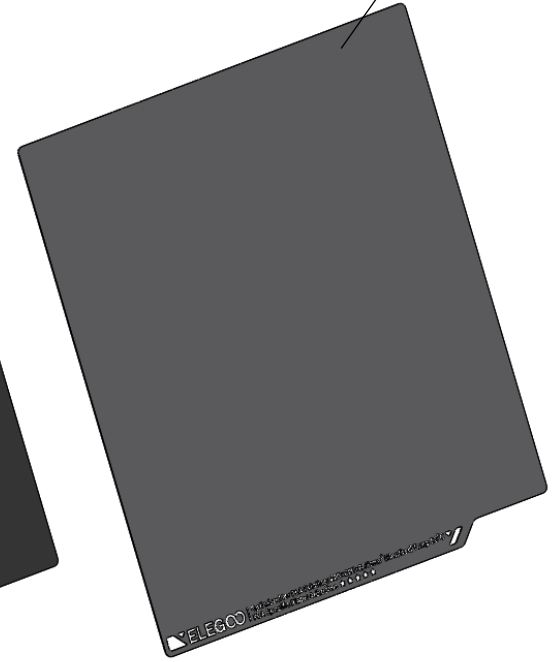


20.206.0027  
Neptune 4 平台贴纸组件  
Build Surface Sticker Assembly

13.202.0012  
软磁底板  
Soft Magnetic Plate

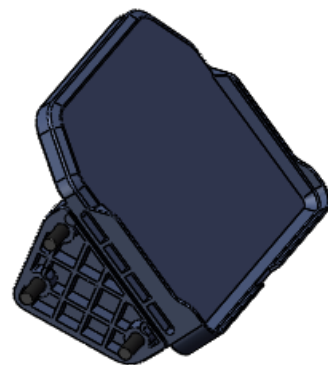


13.202.0023  
PEI平台  
PEI Plate





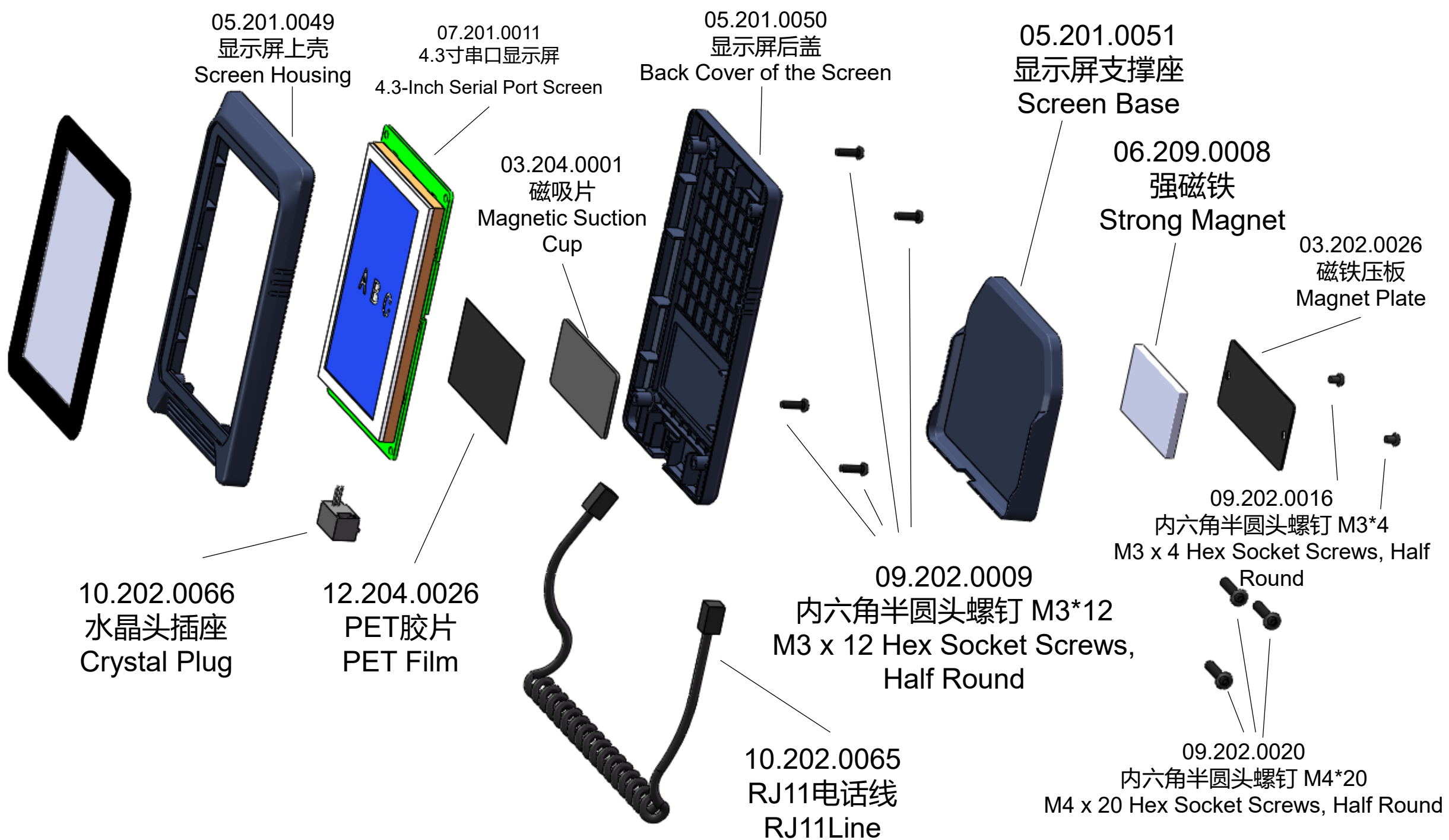
20.203.0029  
显示屏套件  
Screen Kit



20.204.0067  
显示屏支架组件  
Screen Holder Assembly



20.204.0068  
显示屏组件  
Screen Assembly





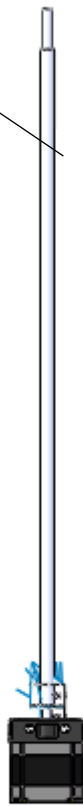
20.203.0057B  
龙门架套件-B  
Gantry Column Kit

20.204.0207

Neptune 4 Z轴电机组件—左  
Z-Axis Motor Assembly-Left

02.203.0022

2040型材-Z轴左型材

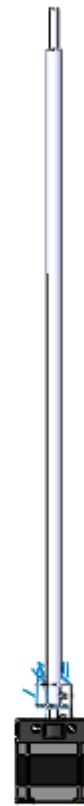


20.204.0206

Neptune 4 Z轴电机组件—右  
Z-Axis Motor Assembly-Left

02.203.0021

2040型材-Z轴右型材



09.207.0004

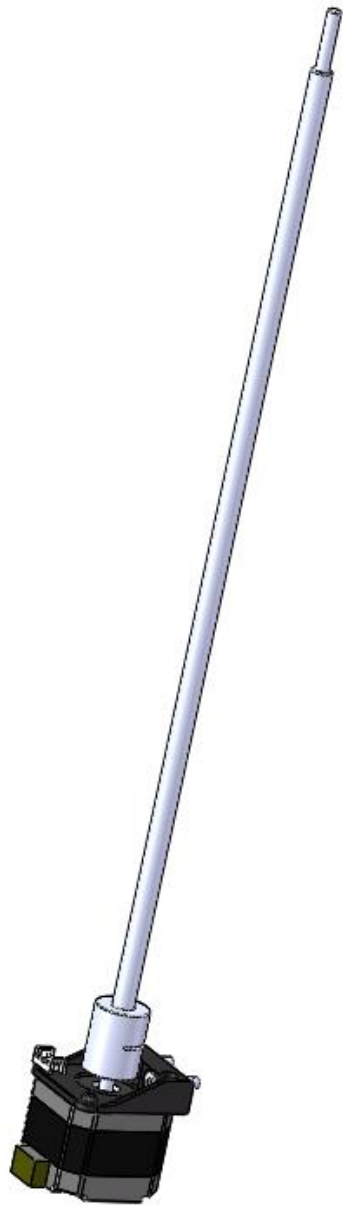
内六角圆柱头弹垫组合  
螺钉 M5\*45



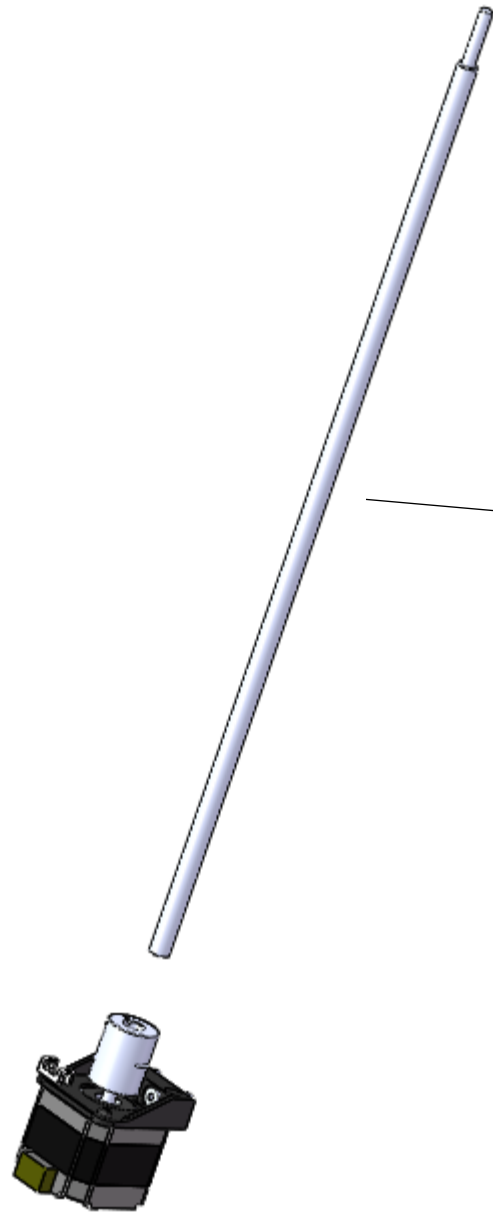
09.207.0004

内六角圆柱头弹垫组合  
螺钉 M5\*45





20.204.0207  
Neptune 4 Z轴电机组件—左  
Z-Axis Motor Assembly-Left

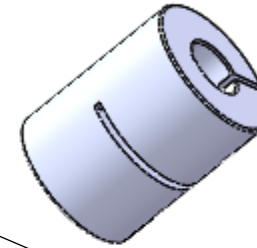


06.203.0004B  
T型丝杆-394  
T-Shaped Lead Screw-394

09.201.0015  
内六角沉头螺钉 M4\*20  
M4 x 20 Hex Socket  
Countersunk Screws



06.207.0001  
刚性联轴器  
Standard Coupling



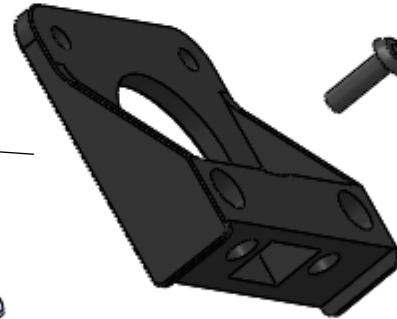
09.202.0001  
内六角半圆头螺钉 M3\*6  
M3 x 6 Hex Socket Screws, Half Round



09.201.0002  
内六角沉头螺钉 M3\*10  
M3 x 10 Hex Socket Countersunk Screws



05.201.0052  
Z轴电机固定座  
Z-Axis Motor Fixation Base

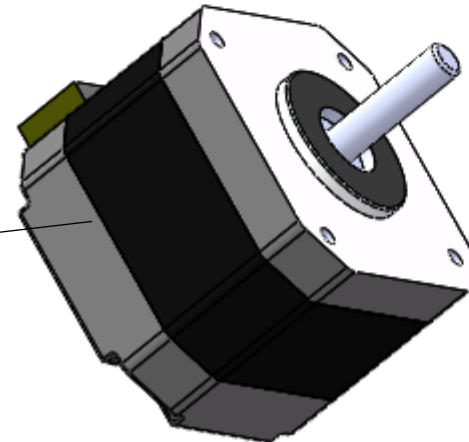


05.209.0007  
扎带固定座  
Cable Tie Base



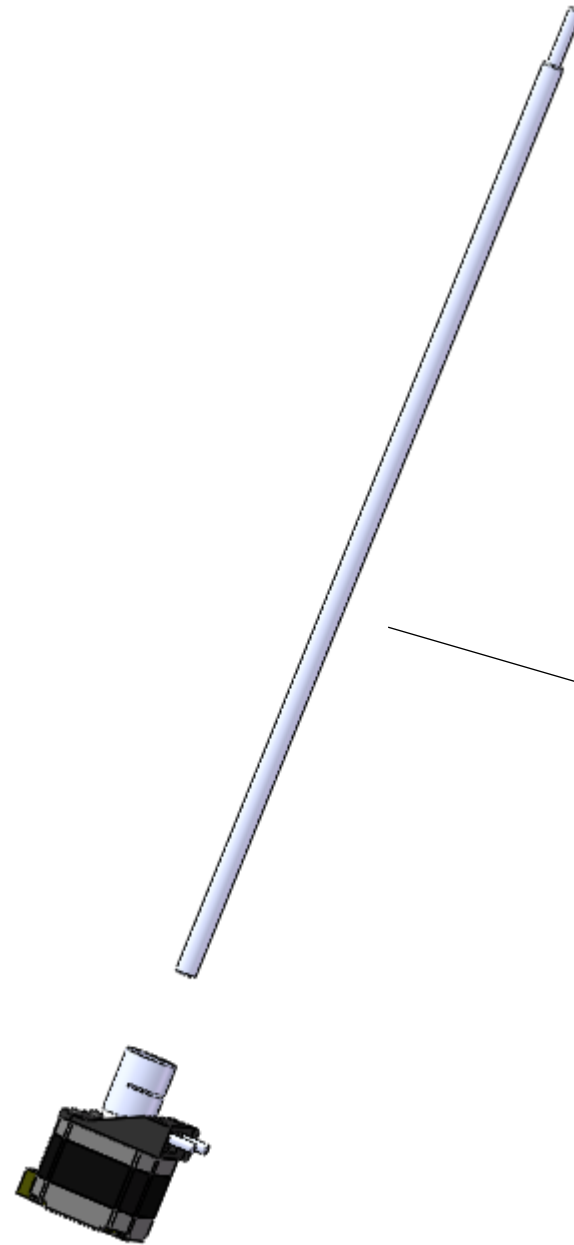
09.202.0009  
内六角半圆头螺钉 M3\*12  
M3 x 12 Hex Socket Screws, Half Round

08.201.0005  
42-34黑色电机 (圆轴)  
42-34Black Motor (Round Shaft)





20.204.0206  
Neptune 4 Z轴电机组件—右  
Z-Axis Motor Assembly-Left



06.203.0004B  
T型丝杆-394  
T-Shaped Lead Screw-394

06.207.0001  
刚性联轴器  
Standard Coupling



09.202.0001  
内六角半圆头螺钉 M3\*6  
M3 x 6 Hex Socket Screws, Half Round



09.202.0009  
内六角半圆头螺钉 M3\*12  
M3 x 12 Hex Socket Screws, Half Round



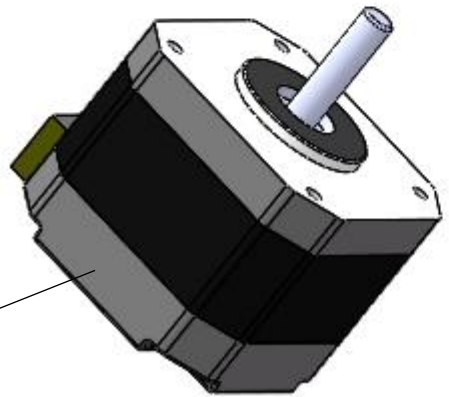
05.201.0052  
Z轴电机固定座  
Z-Axis Motor Fixation Base



09.201.0015  
内六角沉头螺钉 M4\*20  
M4 x 20 Hex Socket Countersunk  
Screws



08.201.0005  
42-34黑色电机 (圆轴)  
42-34Black Motor (Round Shaft)



09.202.0016  
内六角半圆头螺钉 M3\*4  
M3 x 4 Hex Socket Screws,  
Half Round

06.201.0030  
F605ZZ法兰轴承  
F605ZZ Flange Bearing

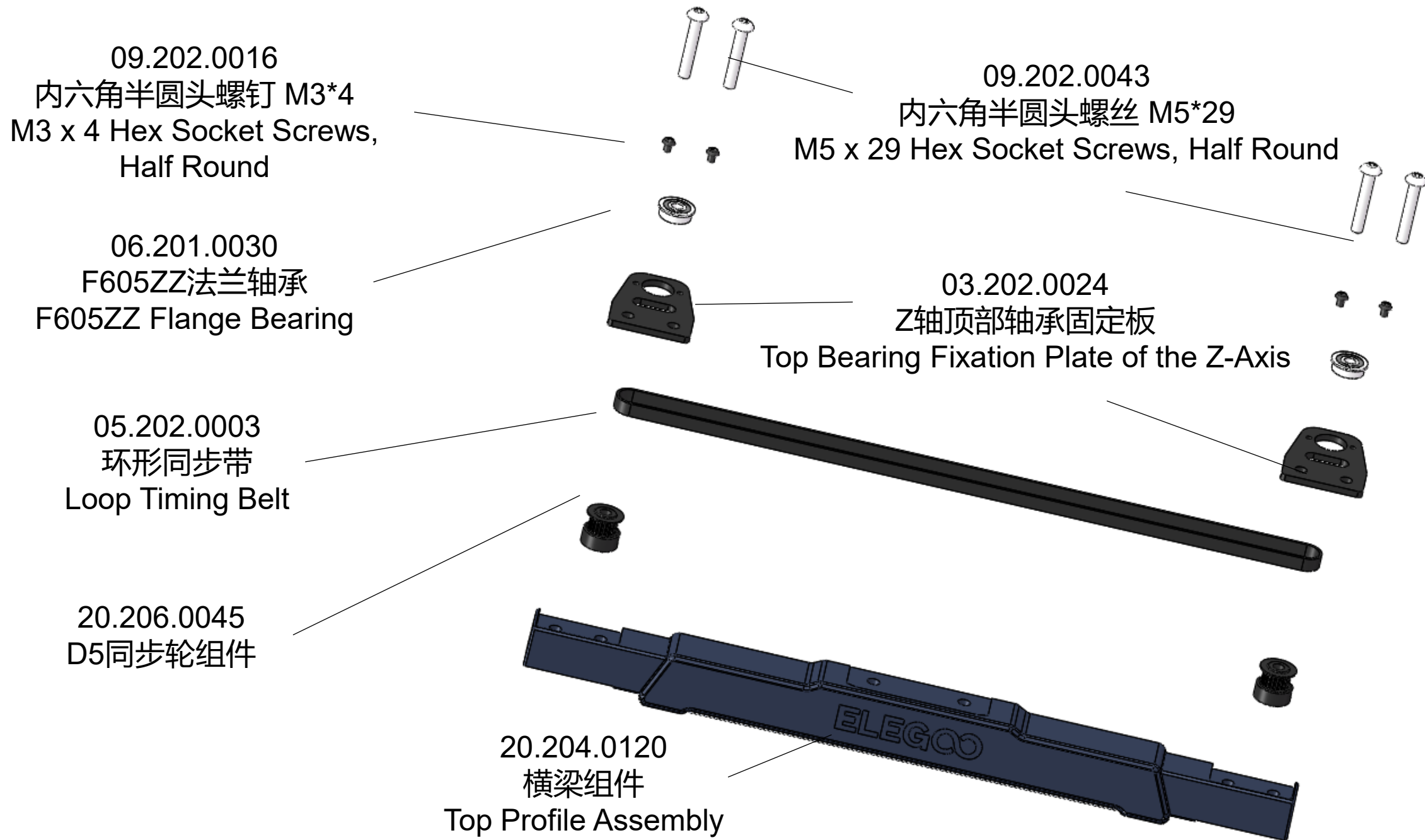
05.202.0003  
环形同步带  
Loop Timing Belt

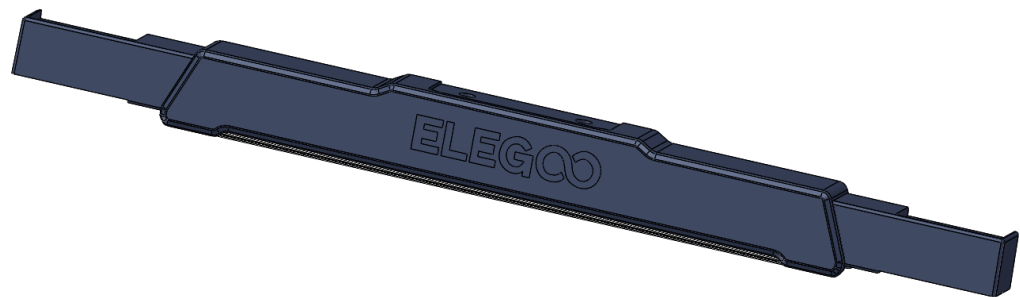
20.206.0045  
D5同步轮组件

20.204.0120  
横梁组件  
Top Profile Assembly

09.202.0043  
内六角半圆头螺丝 M5\*29  
M5 x 29 Hex Socket Screws, Half Round

03.202.0024  
Z轴顶部轴承固定板  
Top Bearing Fixation Plate of the Z-Axis

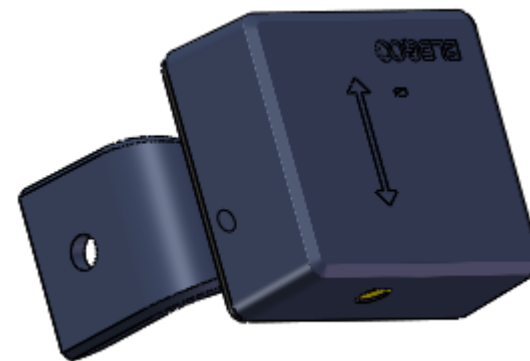




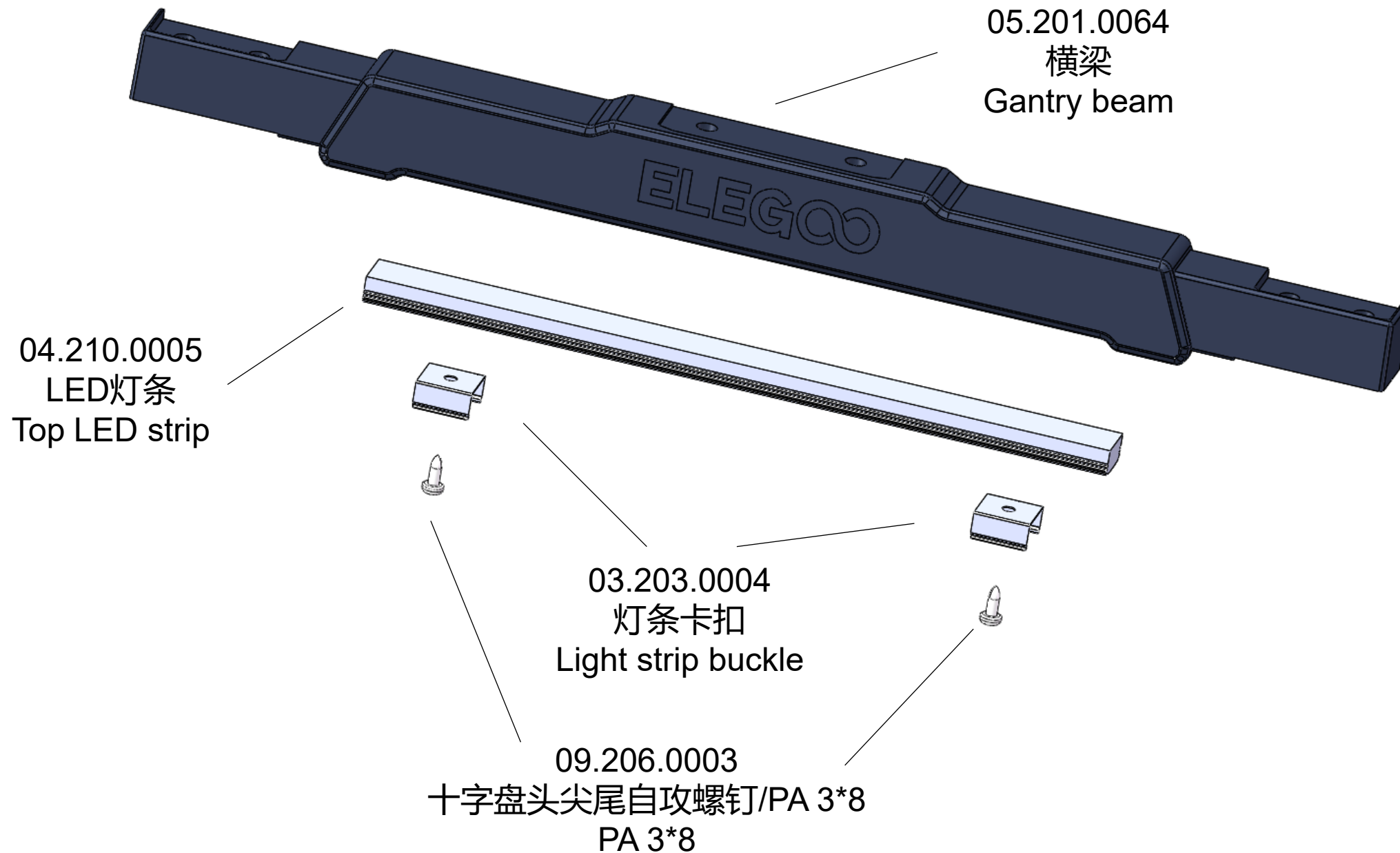
20.204.0120  
横梁组件  
Gantry beam assembly



20.203.0031  
料架套件  
Spool Holder Kit



20.203.0030  
断料检测组件  
Filament Runout Detection Assembly



09.202.0009  
内六角半圆头螺钉 M3\*12  
M3 x 12 Hex Socket  
Screws, Half Round

09.203.0016  
内六角圆柱头台阶螺钉  
4\*3\*M3  
4 x 3 x M3 Hex Socket  
Stepper Screws,  
Domed Head

09.206.0003  
十字盘头尖尾自攻螺钉/PA 3\*8  
3 x 8 Cross Pan Head Tapping Screws

05.201.0070  
断料检测支架  
Filament Runout  
Detection  
Holder

03.202.0025  
断料检测固定板  
Filament Runout  
Detection  
Plate

05.201.0067  
断料检测底盖  
Filament Runout  
Detection Bottom Cover

06.204.0008  
压缩弹簧D6x15  
D6x15 Compression Spring

06.201.0007  
624V型轴承  
624V-Shaped Bearing

06.201.0011  
MR93ZZ轴承  
MR93ZZ Bearing

05.201.0068  
压料轮架  
Swaging Holder

06.208.0001  
销钉轴φ3-10  
φ3-10 Pin Roll

05.201.0072  
料架管  
Spool Holder Tube

05.201.0066  
断料检测外壳  
Filament Runout  
Detection  
Housing

09.202.0020  
内六角半圆头螺钉 M4\*20  
M4 x 20 Hex Socket  
Screws, Half  
Round

01.201.0017  
光电开关PCBA  
Photoelectricity Switch PCBA

05.201.0065  
料架  
Spool Holder



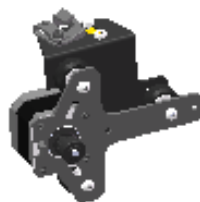
20.203.0056B  
Neptune 4 X轴套件-B  
X-Axis Kit-B



20.204.0119  
后风扇组件  
Rear Fan Assembly

20.204.0058B  
X轴被动轮套件-B  
X-Axis Passive Pulley Kit-B

20.204.0191B  
X轴电机套件-B  
X-Axis Motor Kit



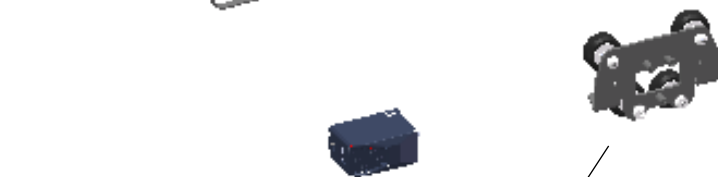
09.207.0002  
内六角平圆头弹垫组合螺钉 M4\*18  
M4 x 18 Hex Socket Screws, Half Round



02.203.0062  
2020光轴型材-X轴型材  
2020 Plain Shaft-X-Axis Profile

20.204.0063  
X轴同步带组件  
X-Axis Timing Belt Assembly

20.204.0061  
X轴限位开关组件  
X-Axis Limit Switch Assembly

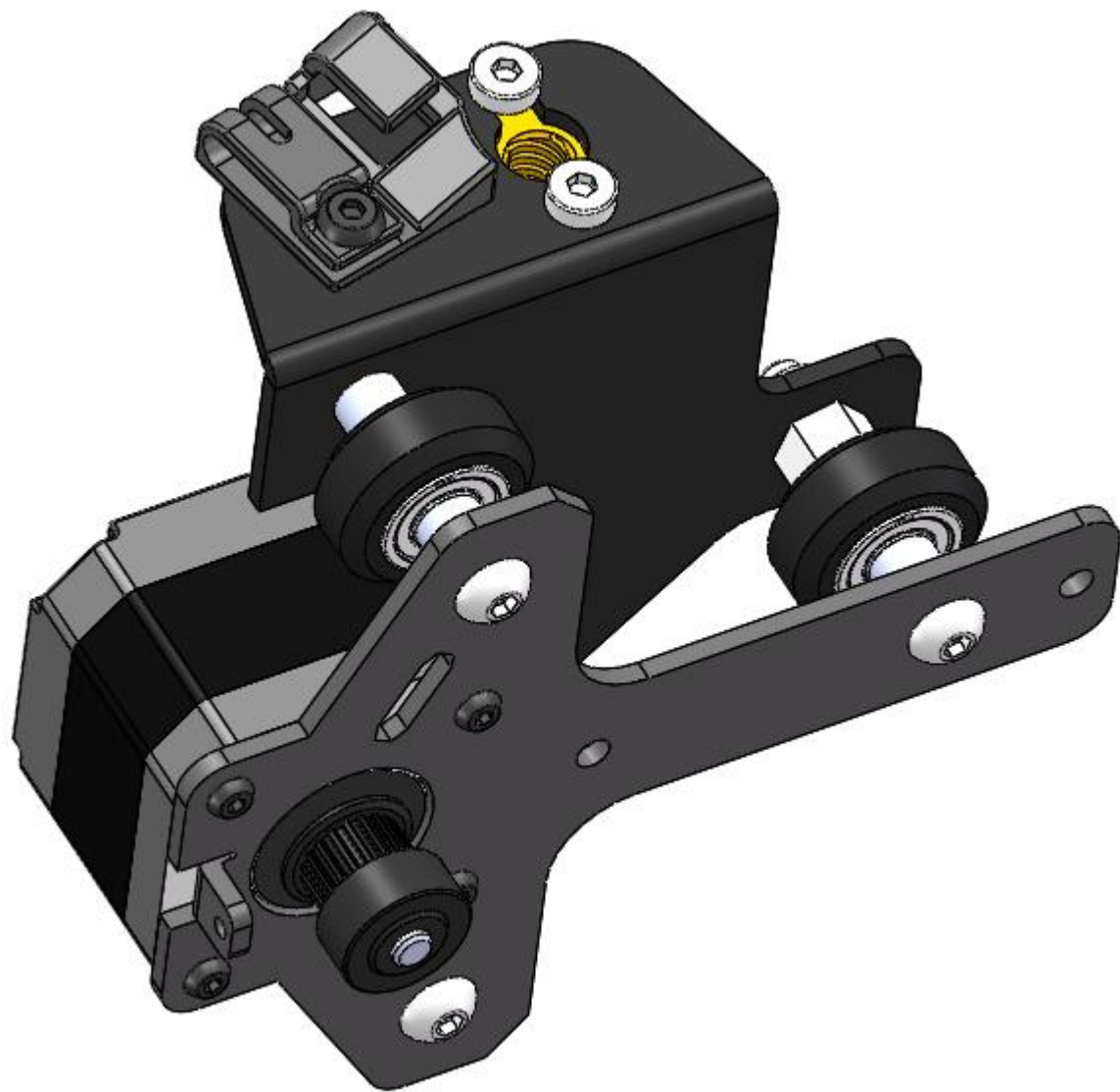


20.204.0117  
挤出背板组件  
Extruder Rear Plate Assembly

20.204.0062  
X轴皮带调节器组件  
X-Axis Belt Adjustment Assembly



20.205.0084B  
挤出头套件-B  
Extruder Kit



20.204.0191B  
X轴电机套件-B  
X-Axis Motor Kit

09.203.0036  
内六角圆柱头台阶螺钉 M3x7  
M3 x 7 Hex Socket Screws, Half Round

06.203.0006B  
T型丝杆螺母B  
T-Shaped Lead Screw Nut

02.209.0002  
隔离柱  
Spacer

09.202.0005  
内六角半圆头螺钉 M5\*40  
M5 x 40 Hex Socket Screws, Half Round

09.202.0018  
内六角半圆头螺钉 M4\*8  
M4 x 8 Hex Socket Screws, Half Round

02.209.0001  
偏心隔离柱  
Eccentric Insulators

09.202.0001  
内六角半圆头螺钉 M3\*6  
M3 x 6 Hex Socket Screws, Half Round

05.201.0116  
线夹  
Cable Clip

03.202.0048B  
X轴电机背面板-B  
X-Axis Motor Rear Panel

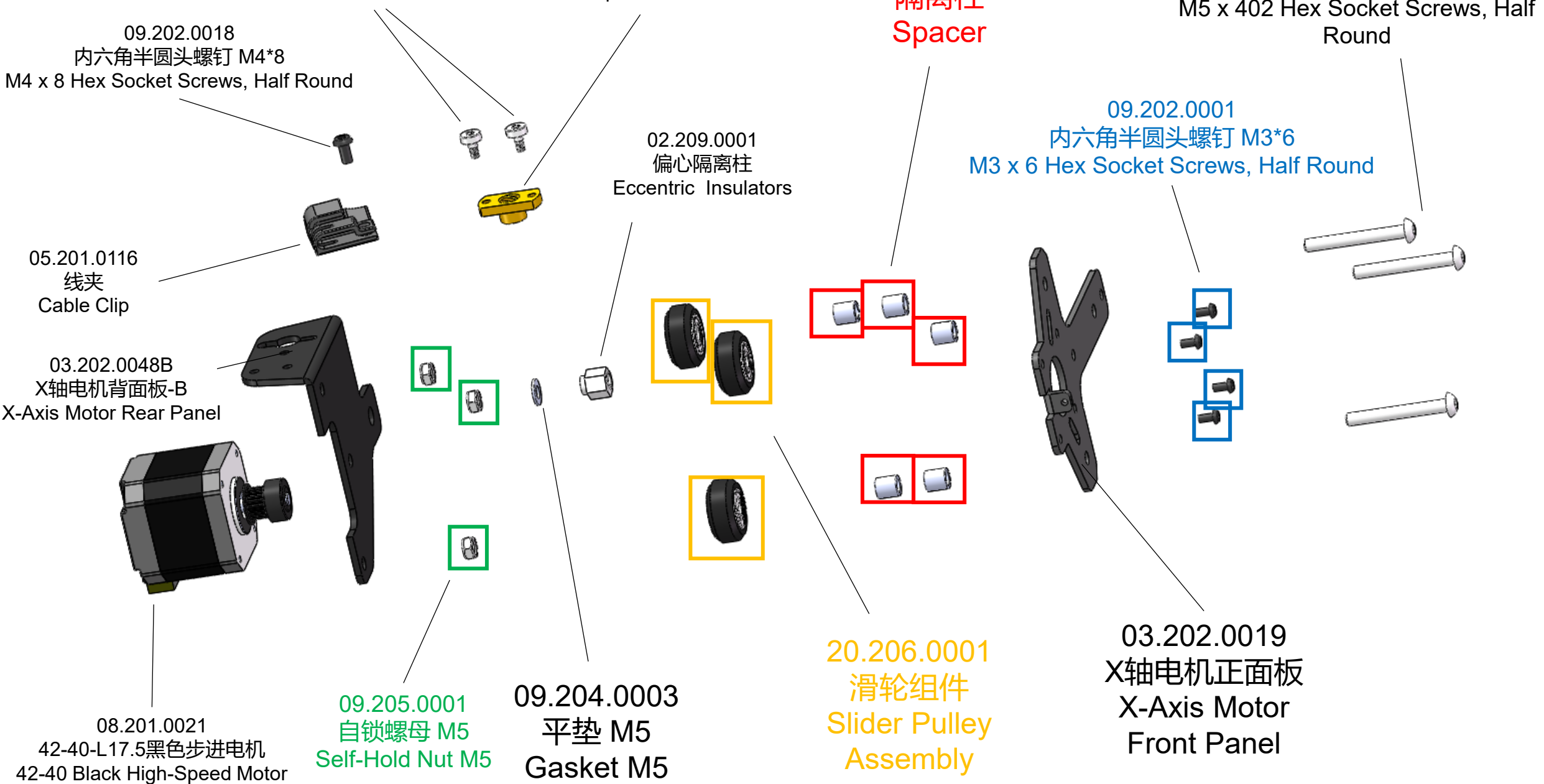
09.205.0001  
自锁螺母 M5  
Self-Hold Nut M5

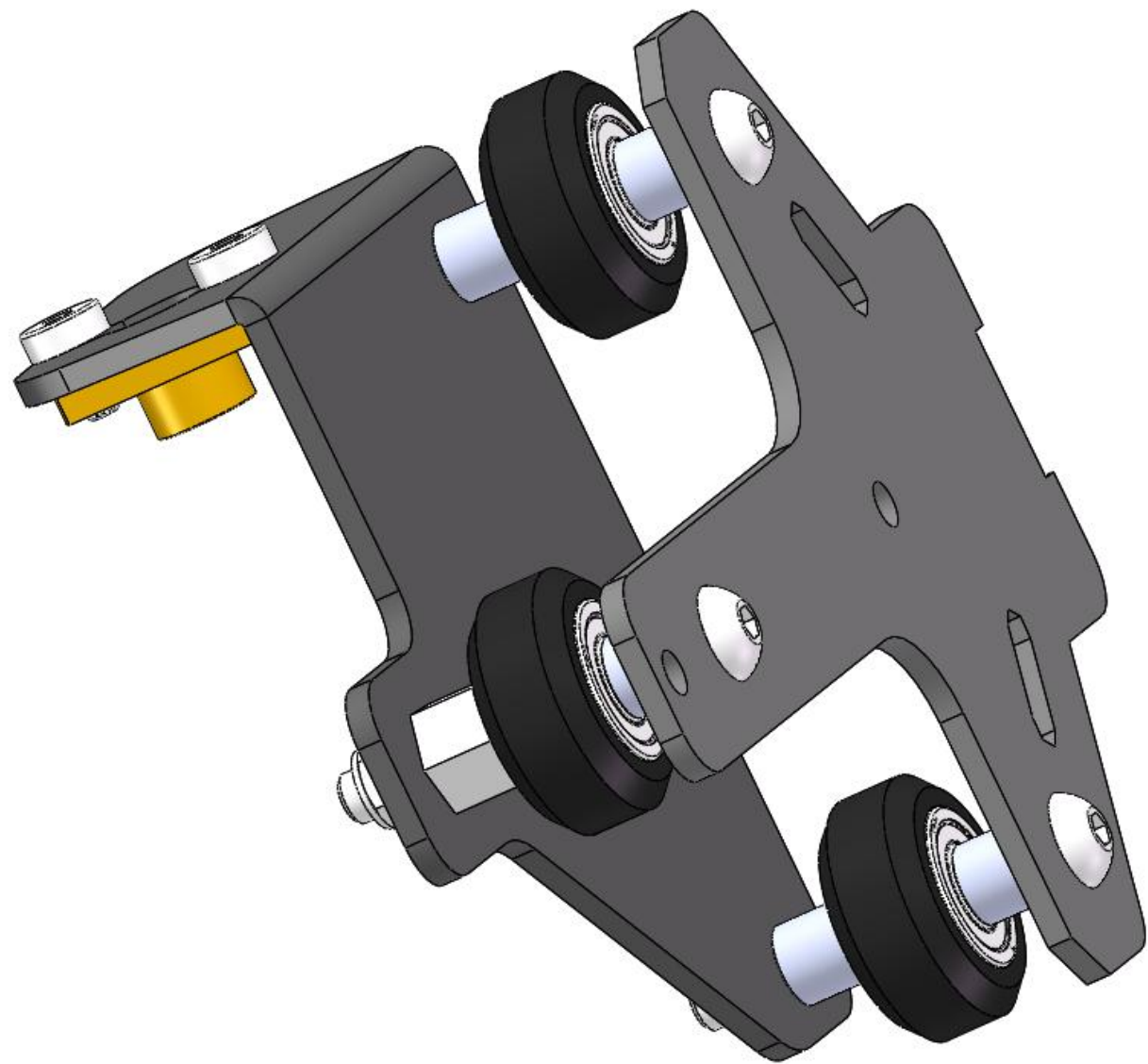
09.204.0003  
平垫 M5  
Gasket M5

20.206.0001  
滑轮组件  
Slider Pulley  
Assembly

03.202.0019  
X轴电机正面板  
X-Axis Motor  
Front Panel

08.201.0021  
42-40-L17.5黑色步进电机  
42-40 Black High-Speed Motor





20.204.0058B  
X轴被动轮套件-B  
X-Axis Passive Pulley Kit

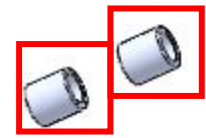
06.203.0006B  
T型丝杆螺母-B  
T-Shaped Lead Screw Nut-B



03.202.0020B  
X轴被动轮背面板-B  
X-Axis Motor Rear Panel-B

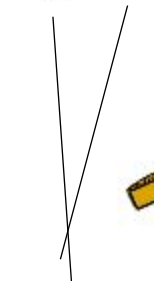


02.209.0002  
隔离柱  
Spacer

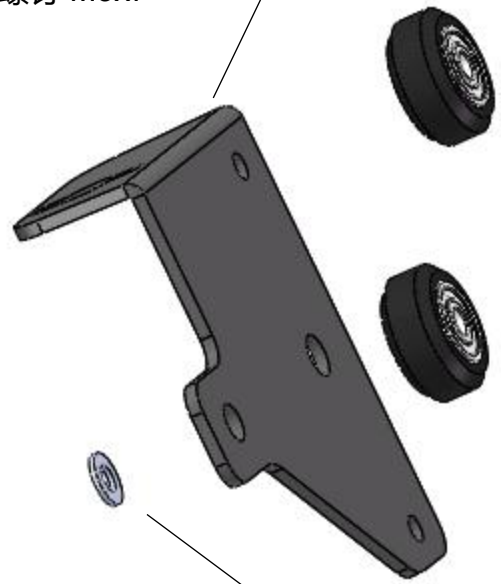


09.202.0005  
内六角半圆头螺钉 M5\*40  
M5 x 40 Hex Socket  
Screws, Half Round

09.203.0036  
内六角圆柱头台阶螺钉 M3x7



09.205.0001  
自锁螺母 M5  
Self-Hold Nut M5



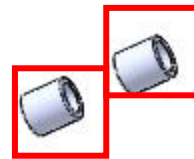
09.204.0003  
平垫 M5  
Gasket M5



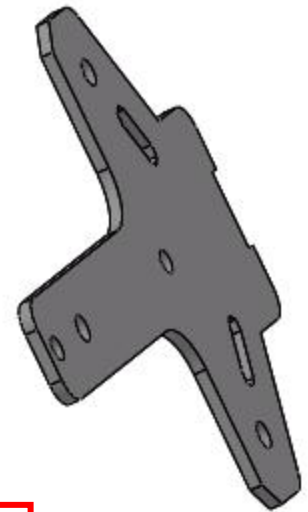
20.206.0001  
滑轮组件  
Pulley Assembly

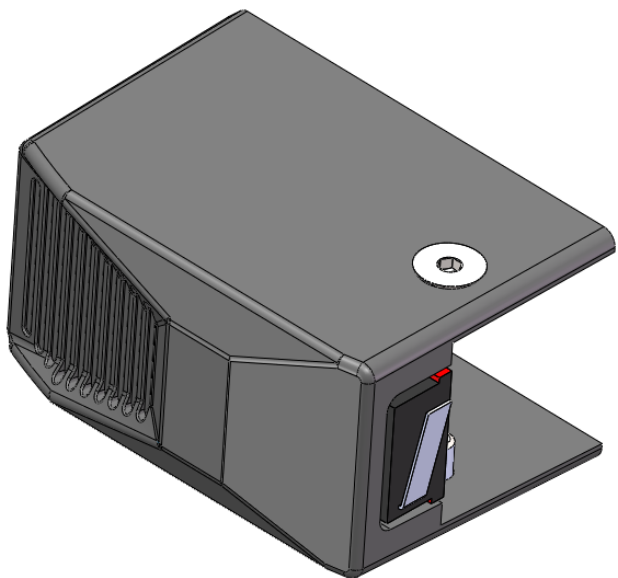


02.209.0001  
偏心隔离柱  
Eccentric Insulators

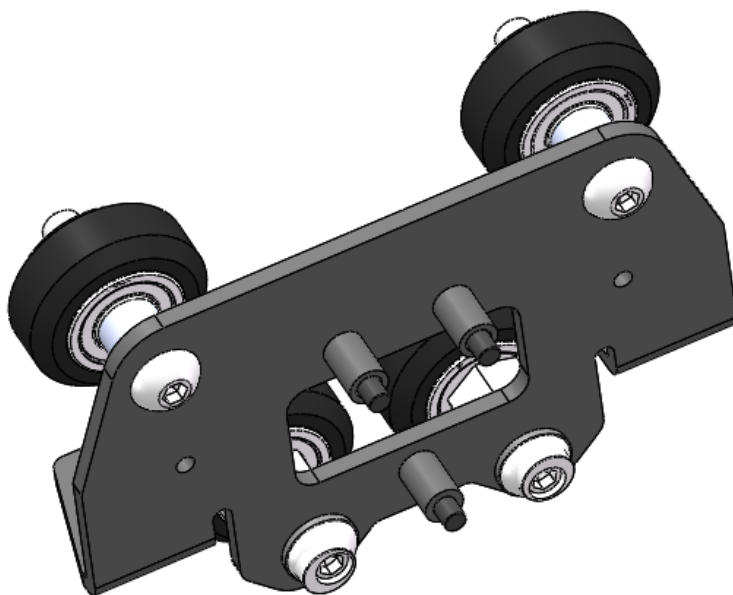


03.202.0021  
X轴被动轮正面板  
X-Axis Motor Front Panel

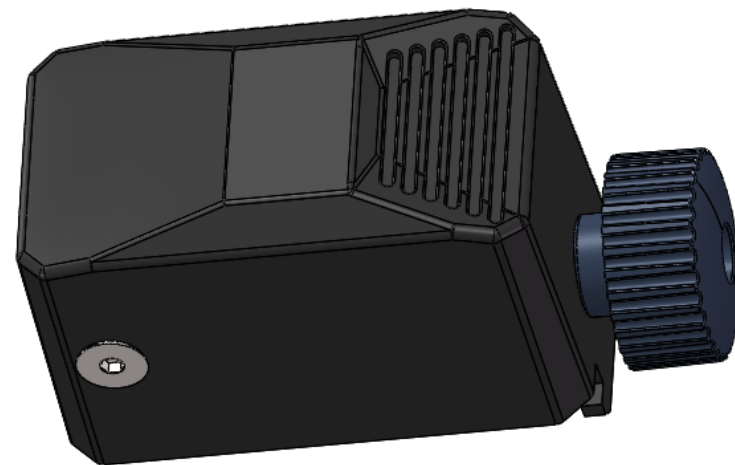




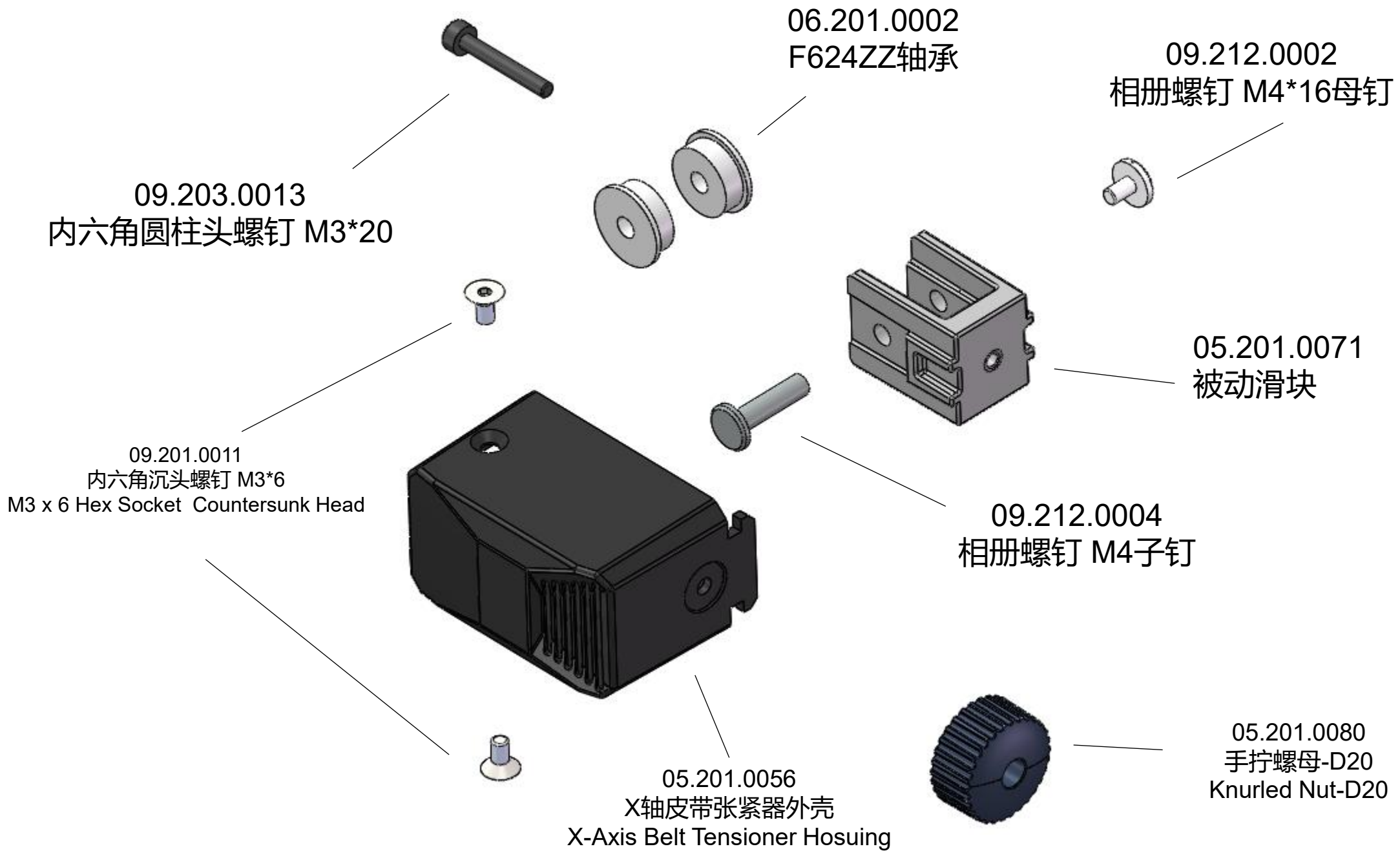
20.204.0061  
X轴限位开关组件  
X-Axis Limit Switch Assembly

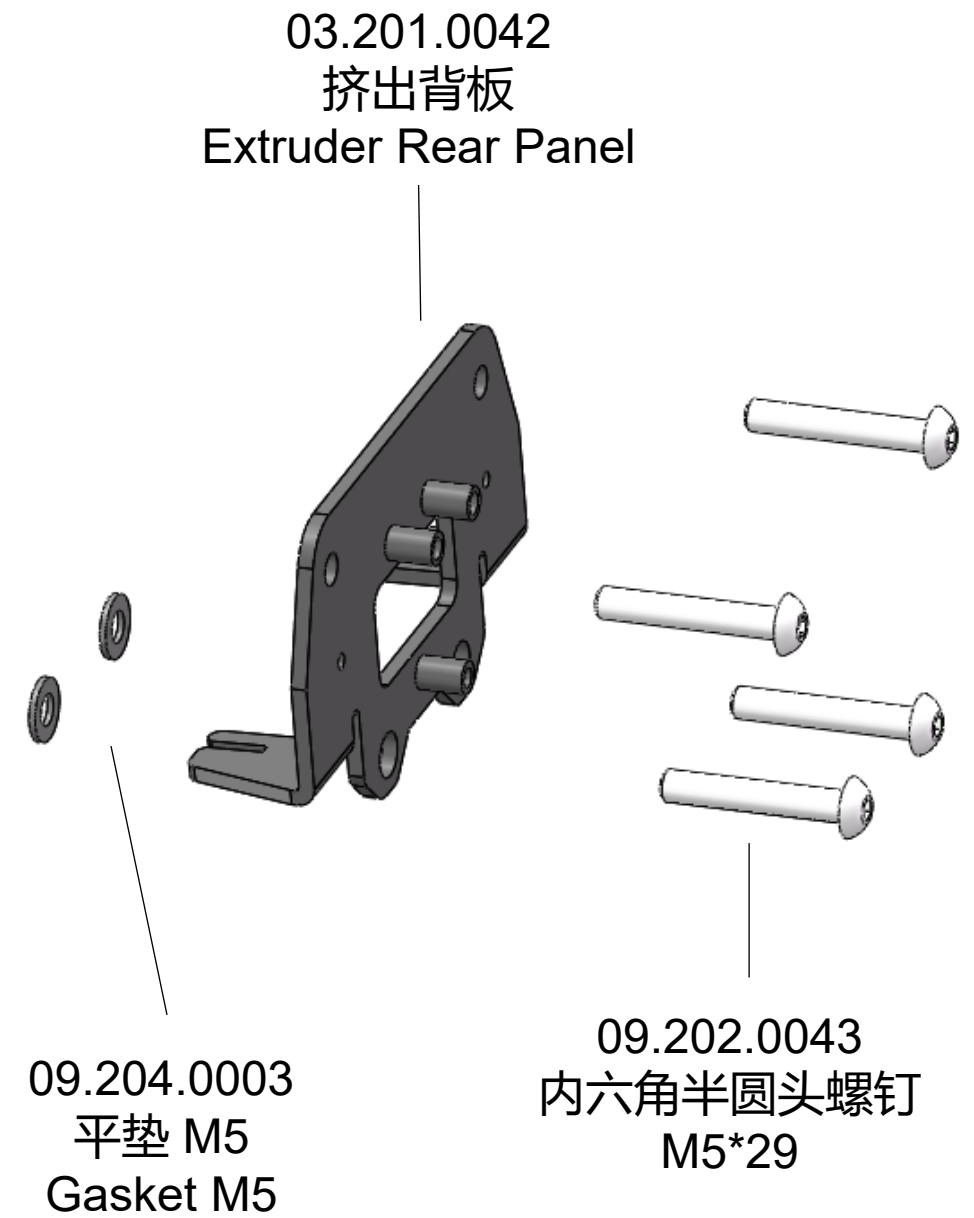
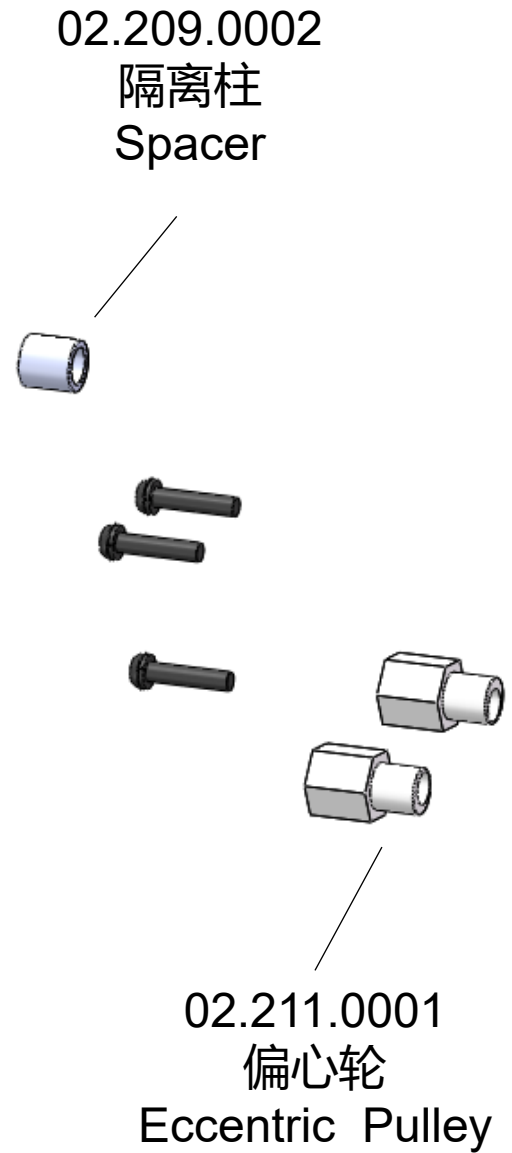
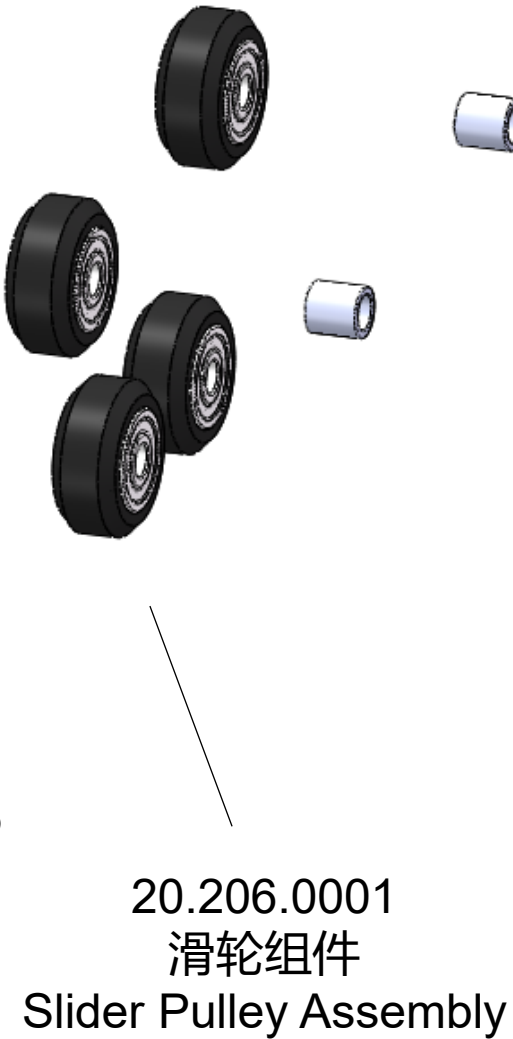
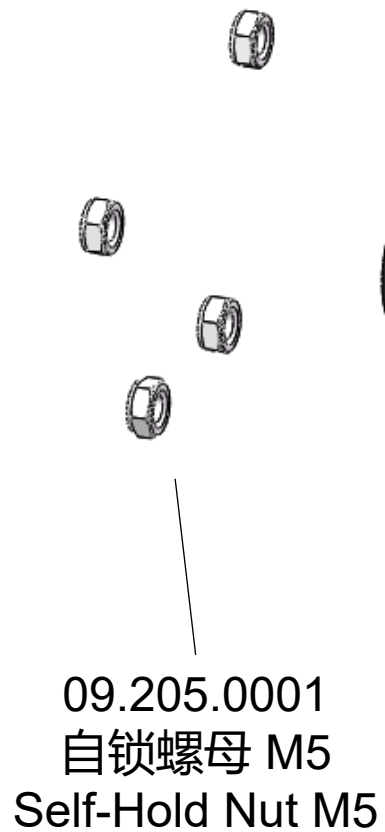


20.204.0117  
挤出背板组件  
Extruder Rear Panel Assembly

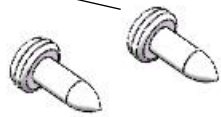


20.204.0062  
X轴皮带调节器组件  
X-Axis Belt Adjustment Assembly

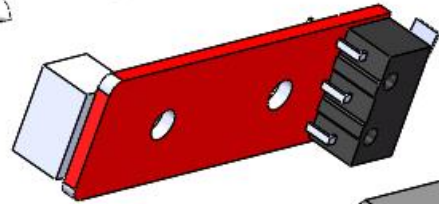




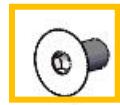
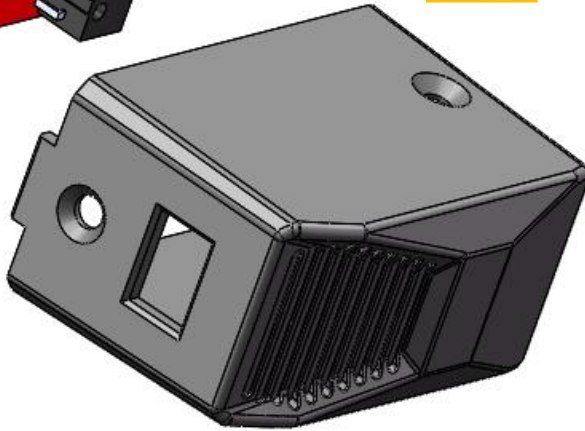
09.206.0003  
十字盘头尖尾自攻螺钉/PA 3\*8



04.202.0004  
X轴限位开关  
X-Axis Limit Switch

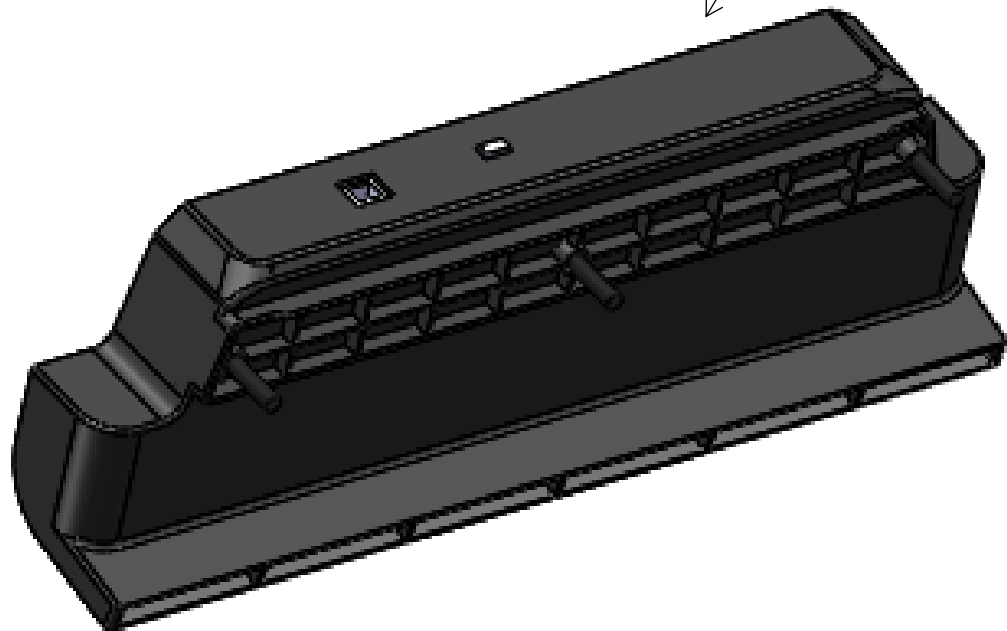


05.201.0055  
X轴限位座  
X-Axis Limit Base



09.201.0011  
内六角沉头螺钉 M3\*6  
M3 x 6 Hex Socket Countersunk Head

用于此风扇的连接线  
Cable for this fan



10.202.0101B  
N4后风扇线-B  
N4 Rear Fan Wire-B

20.204.0119  
后风扇组件  
Rear Fan Assembly

02.210.0001  
皮带铜套  
Copper sleeve

05.202.0001  
2M-W6开口同步带

(X轴同步带用量L=784mm)  
The length of the X-Axis is 784 mm.

(同步带数量1不等于1M, 使用时需根据实际用量截取)  
(The length of the timing belt is not equal to 1M, Intercept it based on your need.)

09.206.0003  
十字盘头尖尾自攻螺钉/PA 3\*8  
3 x8 Cross Pan Head Tapping Screws

09.202.0038  
内六角半圆头螺钉 M4\*45  
M4 x 45 Hex Socket Half Round Head

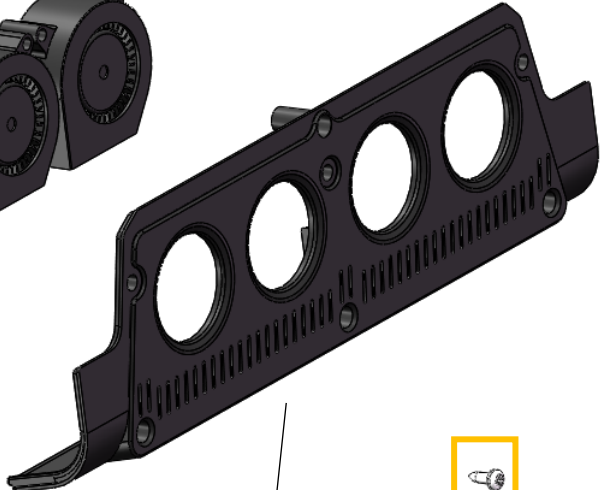
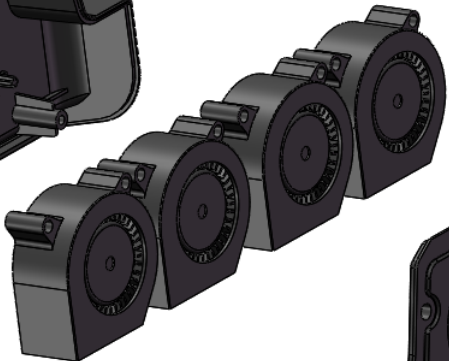
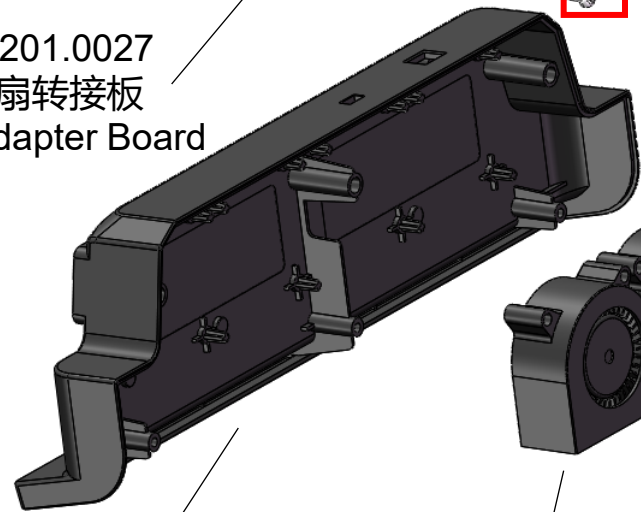
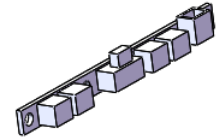
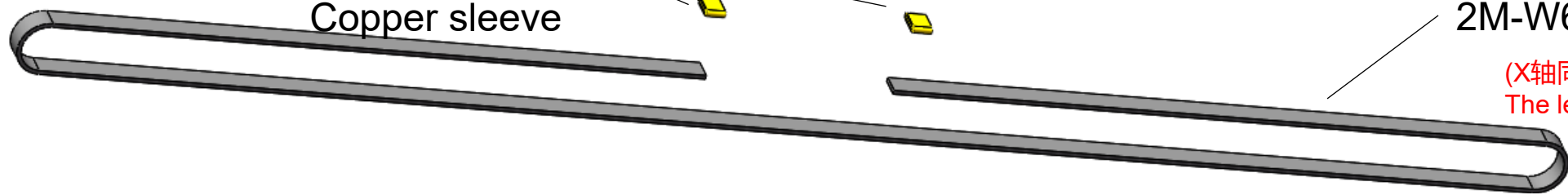
09.206.0002  
十字盘头尖尾自攻螺钉/PA 3\*12  
3\*12 Cross Pan Head Tapping Screws

01.201.0027  
风扇转接板  
Fan Adapter Board

05.201.0114  
后散热外壳

04.203.0016  
4020鼓风风扇

05.201.0113  
后散热底座





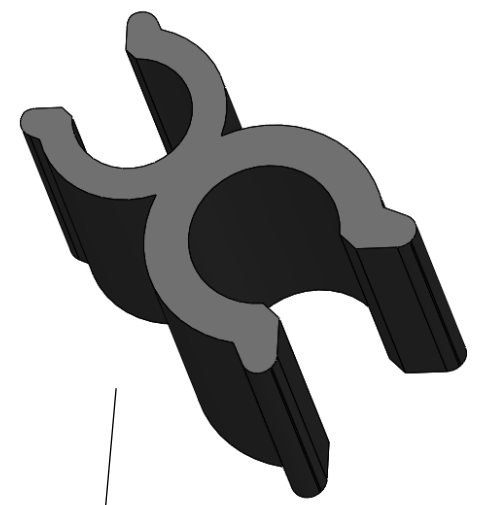
10.202.0241  
N4挤出头线  
(适用于N4、N4 Pro)

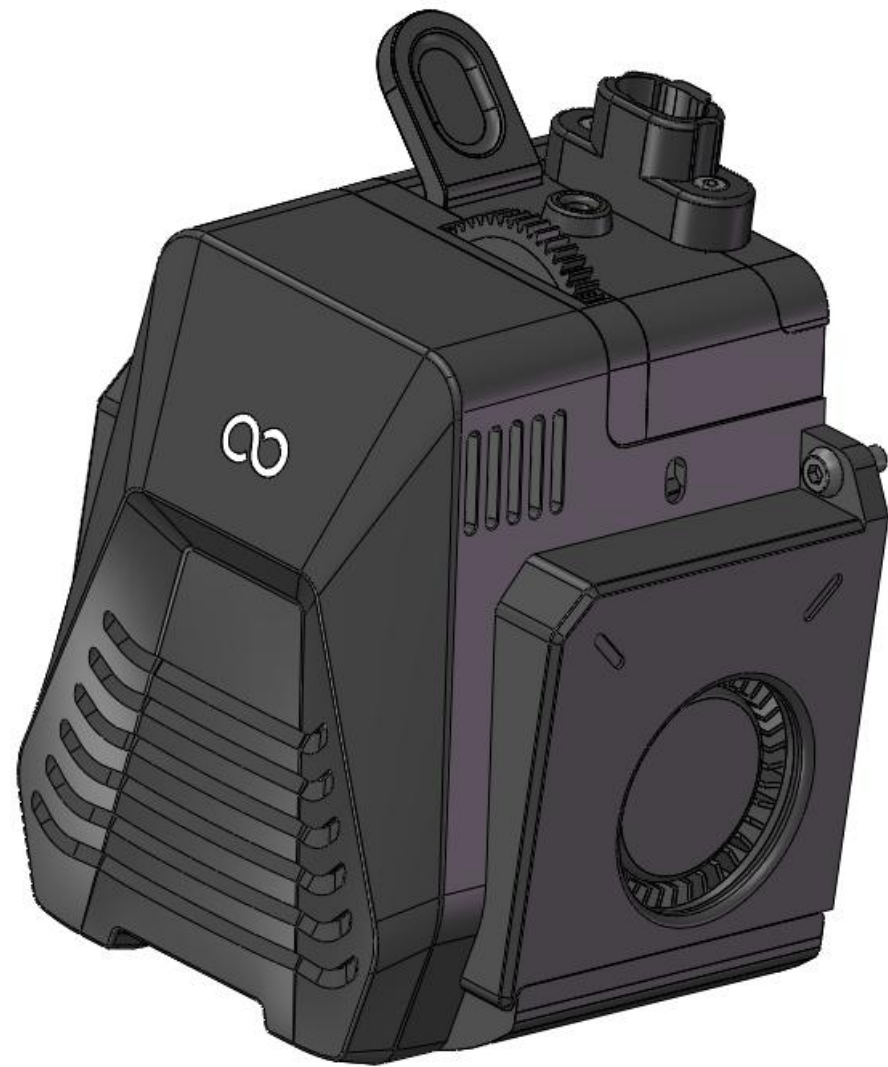


20.204.0084B  
Neptune 4 max 挤出头套件-B  
Extruder Kit-B



05.201.0290B  
卡环-B版本





20.205.0084B  
Neptune 4 Max 挤出头套件-B  
Extruder Kit-B

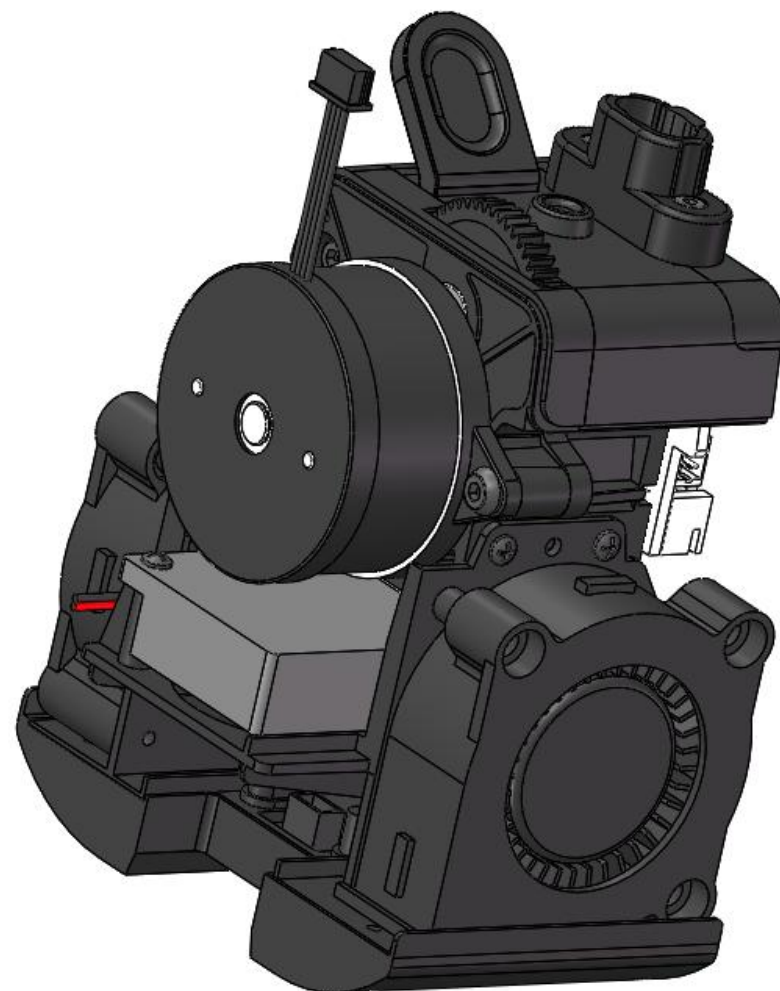
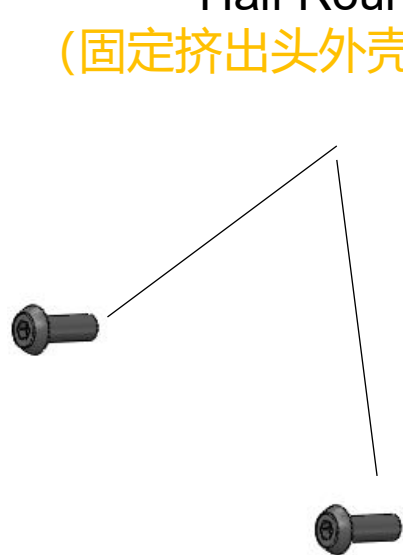
09.202.0012

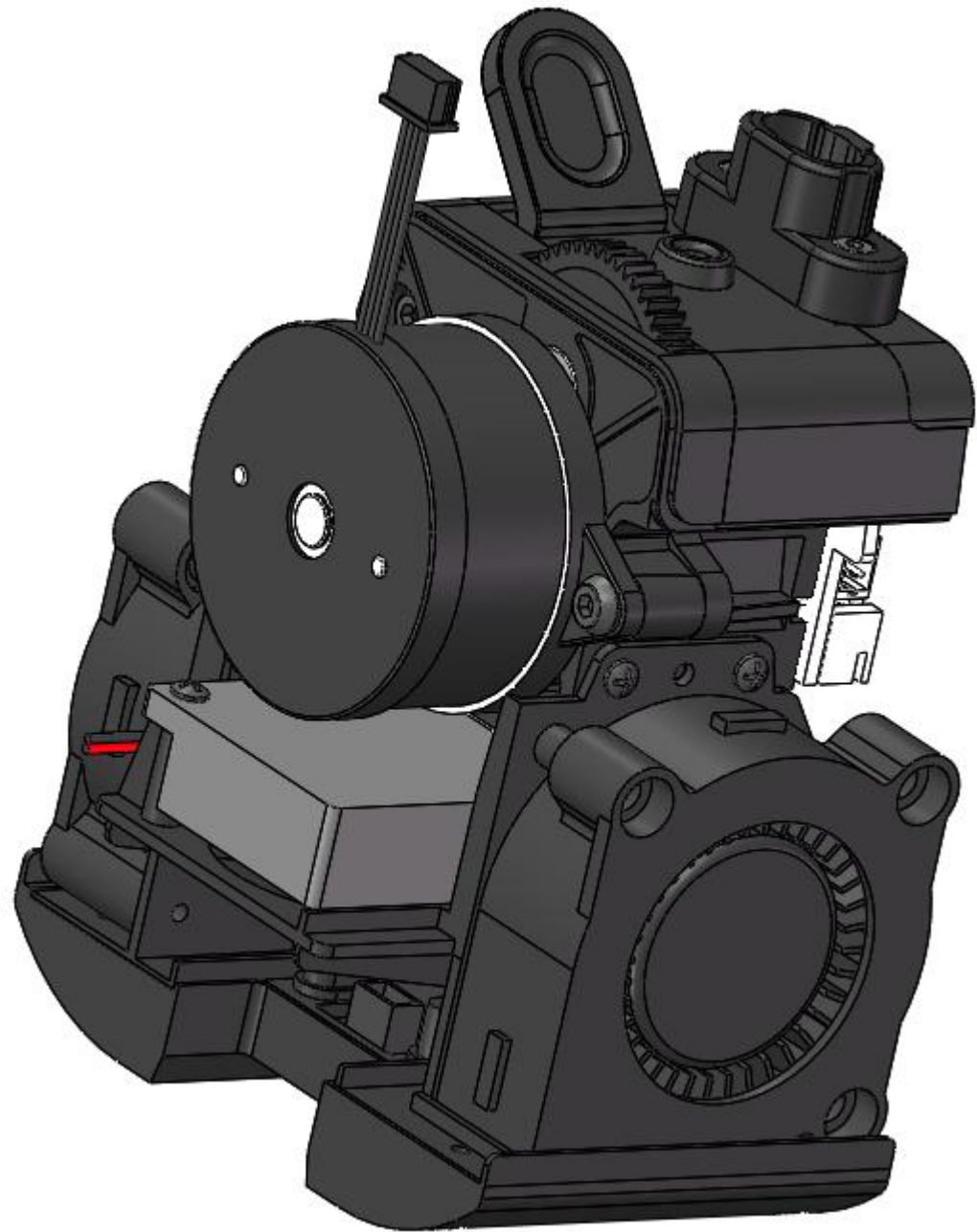
内六角半圆头螺钉 M3\*8  
M3 x 8 Hex Socket Screws,  
Half Round

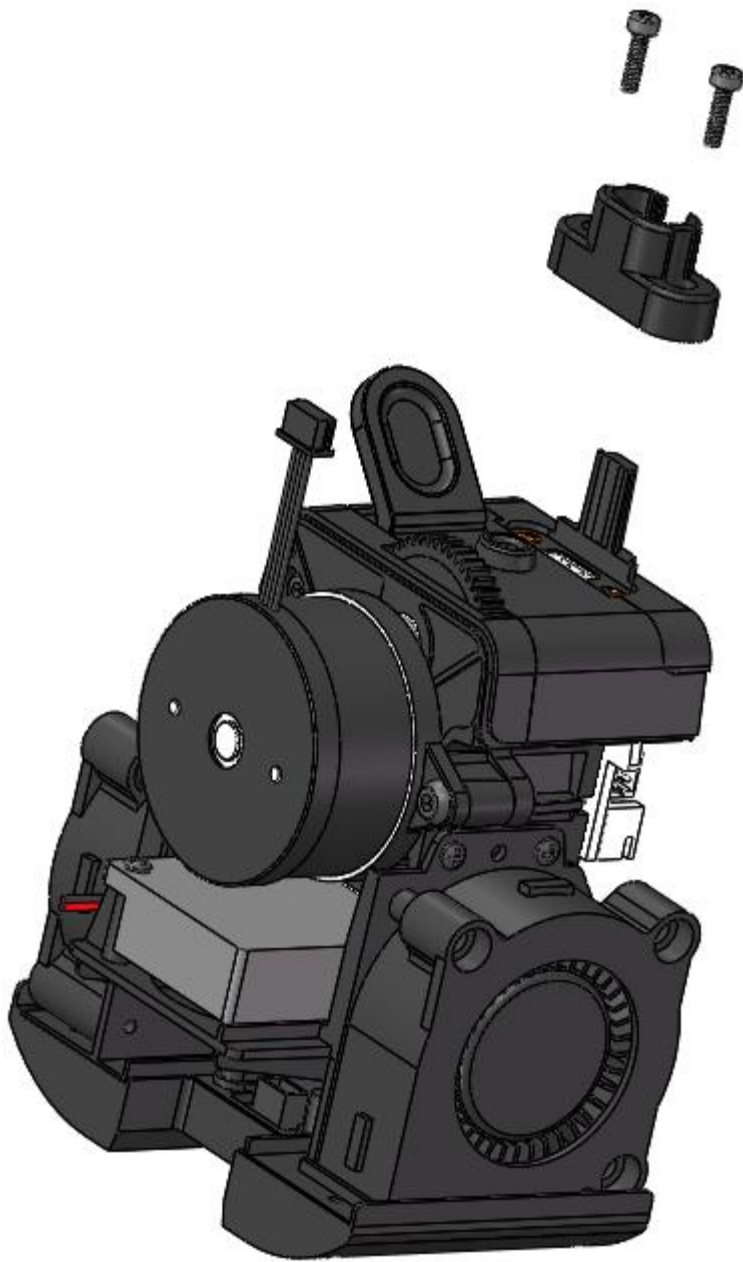
(固定挤出头外壳的螺丝)

05.201.0102

挤出头外壳-NEP4  
Extruder Housing-NEP4

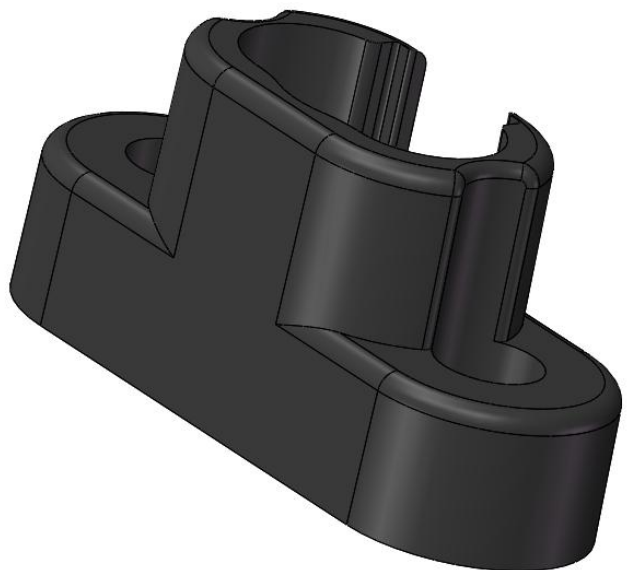


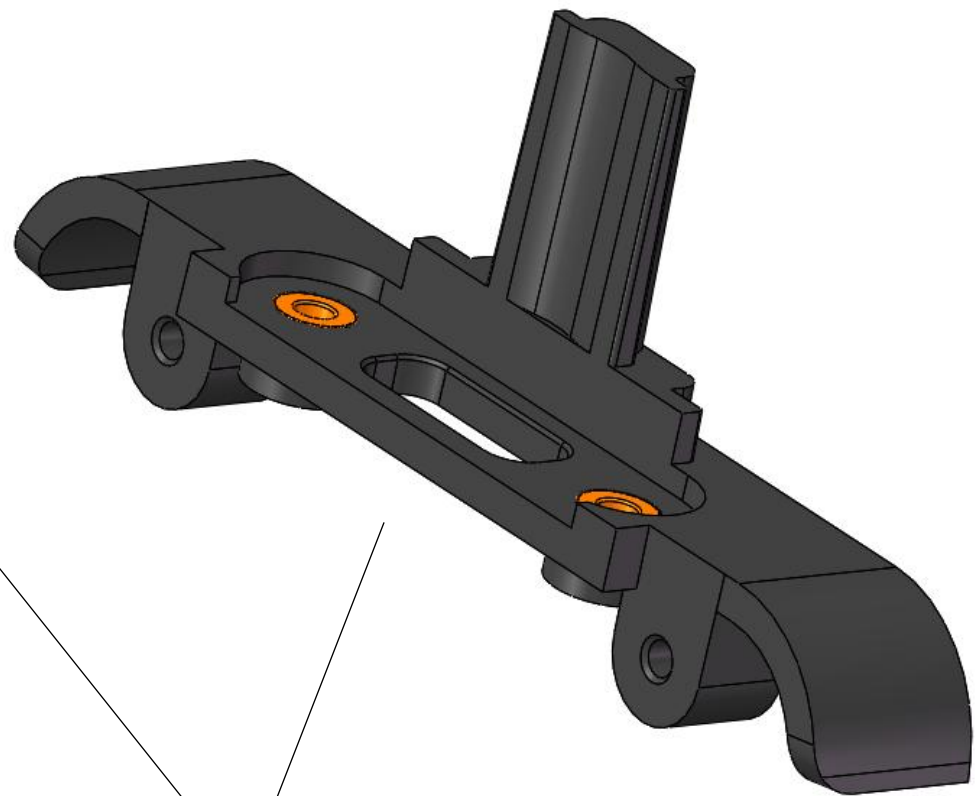
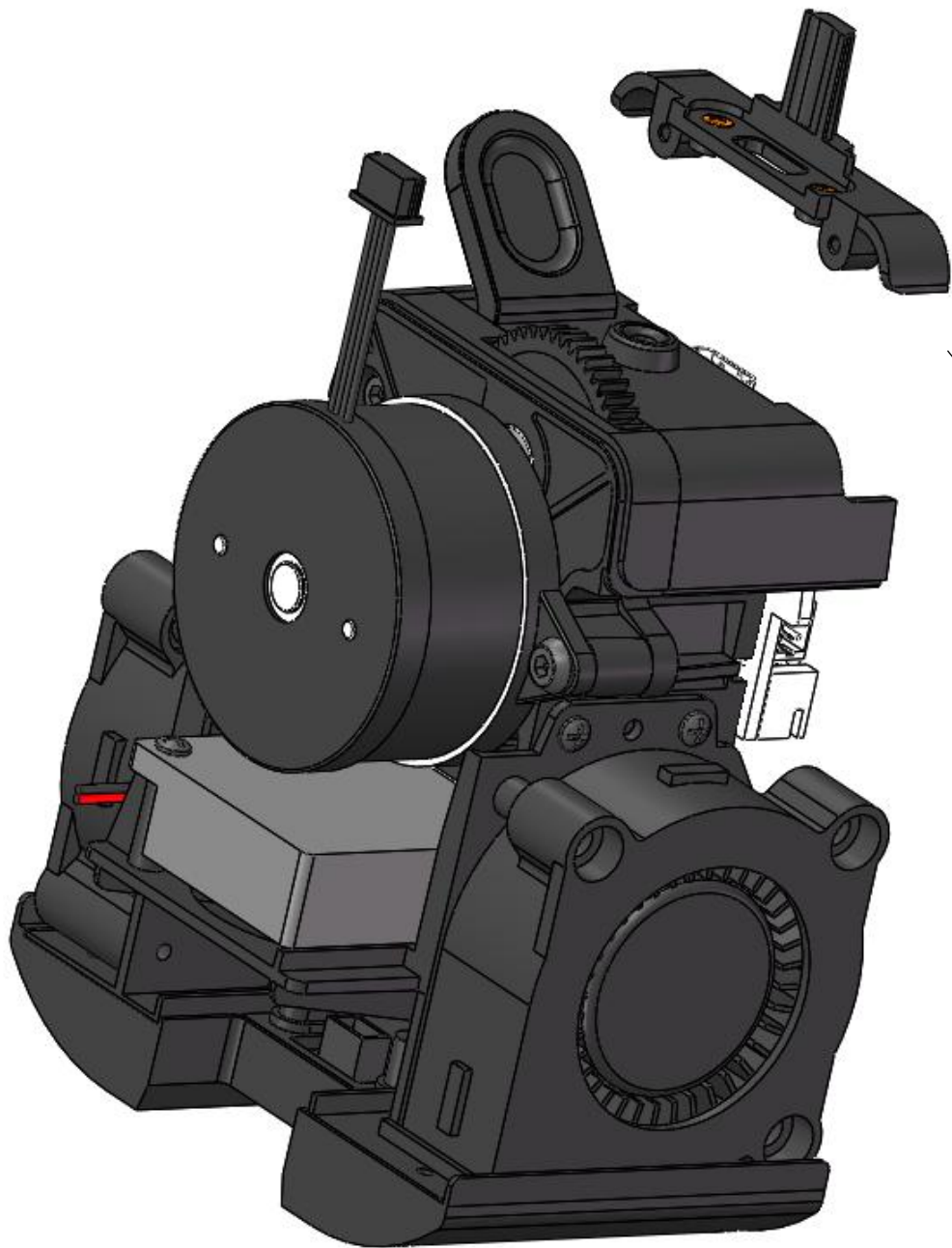




09.203.0037  
内六角圆柱头螺钉 M2\*8  
(固定Type头固定件的螺丝)

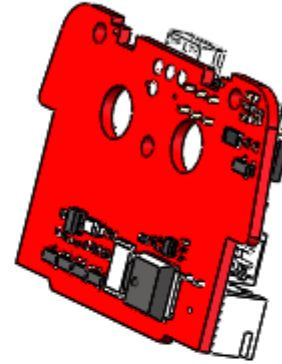
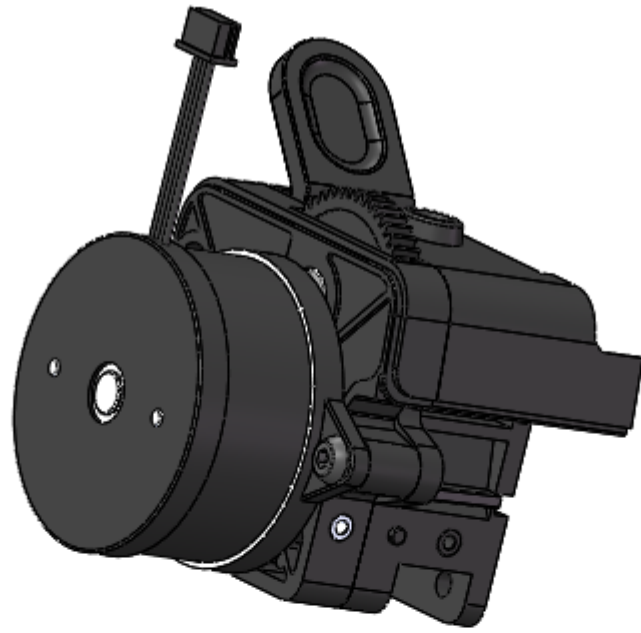
05.201.0260  
Type头固定件



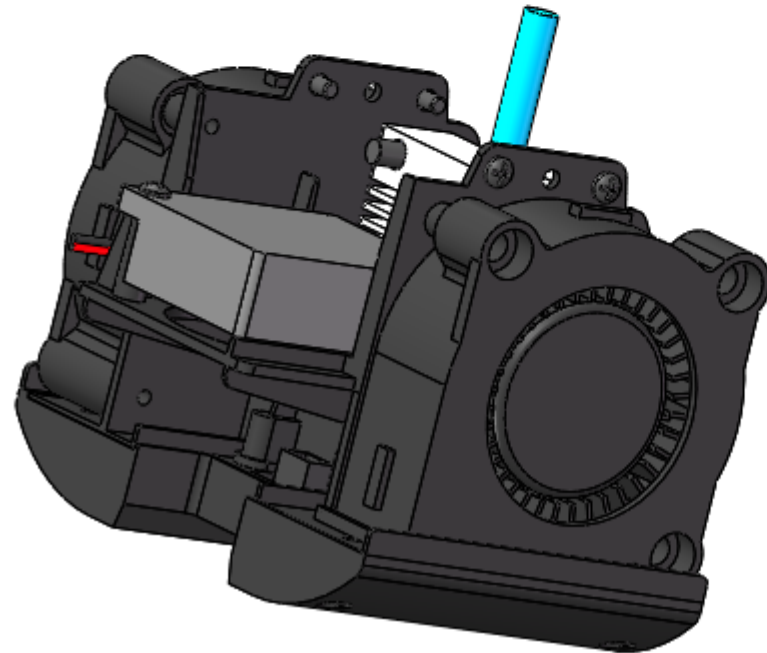


05.201.0259  
C接口固定件

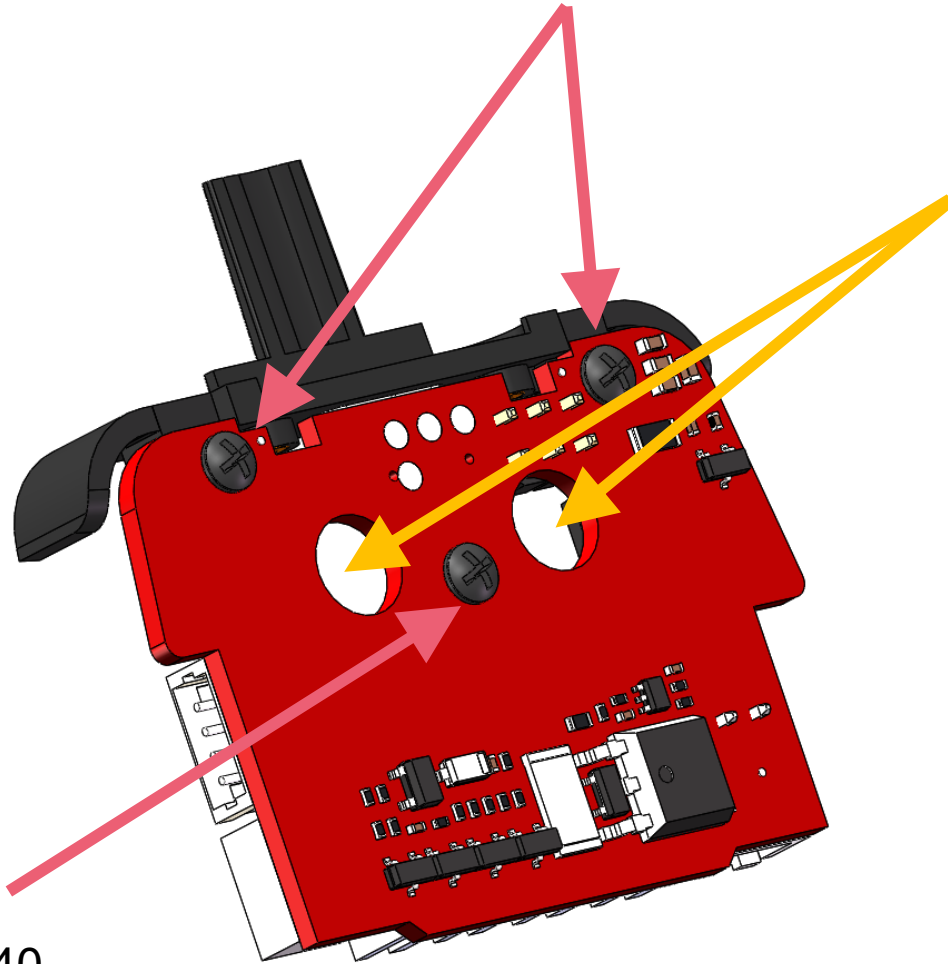
20.205.0073B  
Neptune 4 齿轮箱套件-B  
Gearbox Kit-B



01.201.0032B  
挤出头转接板-B  
Extruder Adapter-B



09.206.0040  
十字圆头平尾自攻螺钉/PB 2\*4



09.202.0040  
十字半圆头螺钉 M2\*4  
Cross Pan Head Tapping  
Screws

N4 Pro需要先装  
平垫再装M3\*16螺  
丝

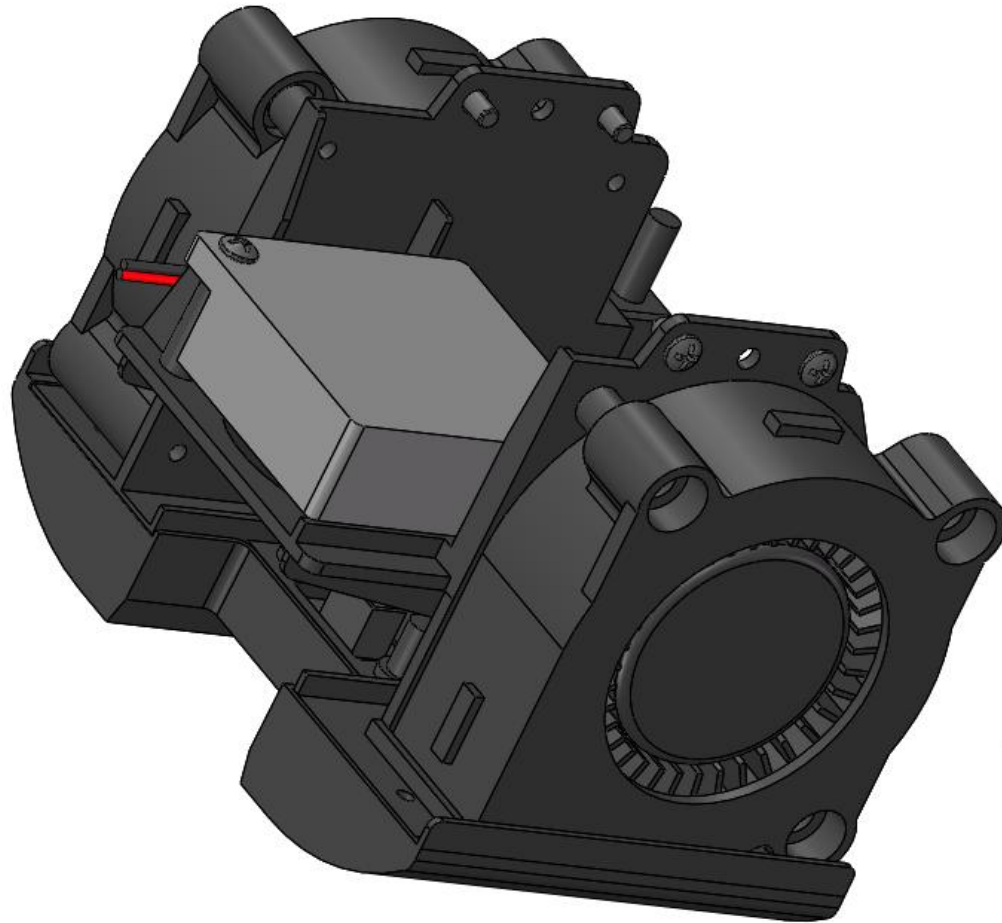
09.204.0021  
平垫M3  
(先安装垫片)

09.202.0002  
内六角半圆头螺钉  
M3\*16  
(再安装螺丝)

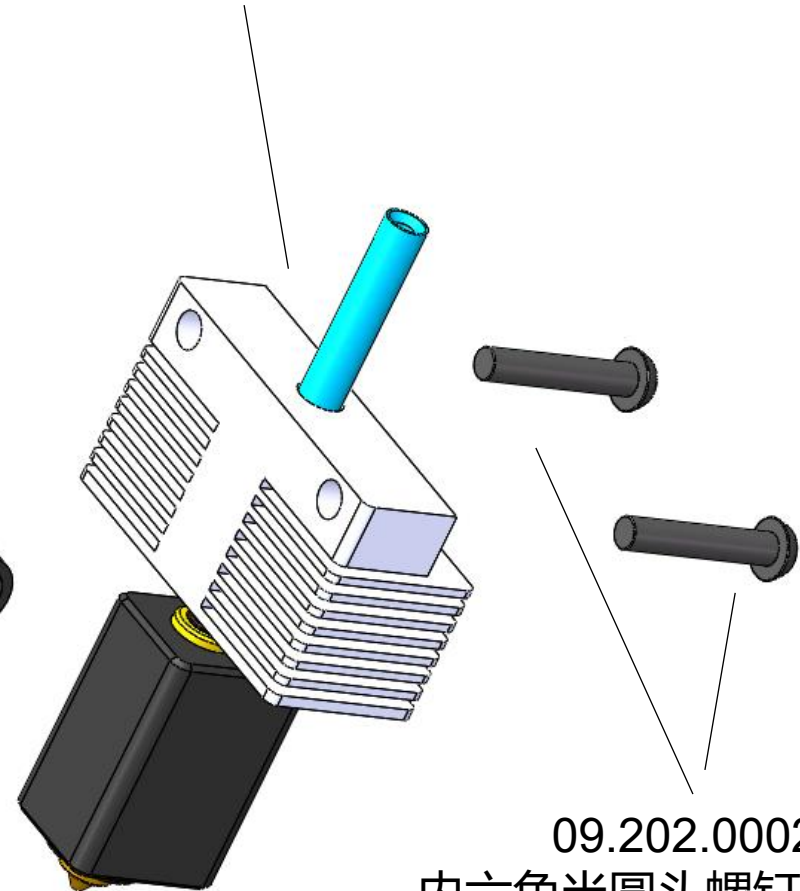
N4、N4 MAX、N4  
PLUS直接装M3\*14螺  
丝

09.202.0072  
内六角半圆头带弹  
垫螺丝 M3\*14

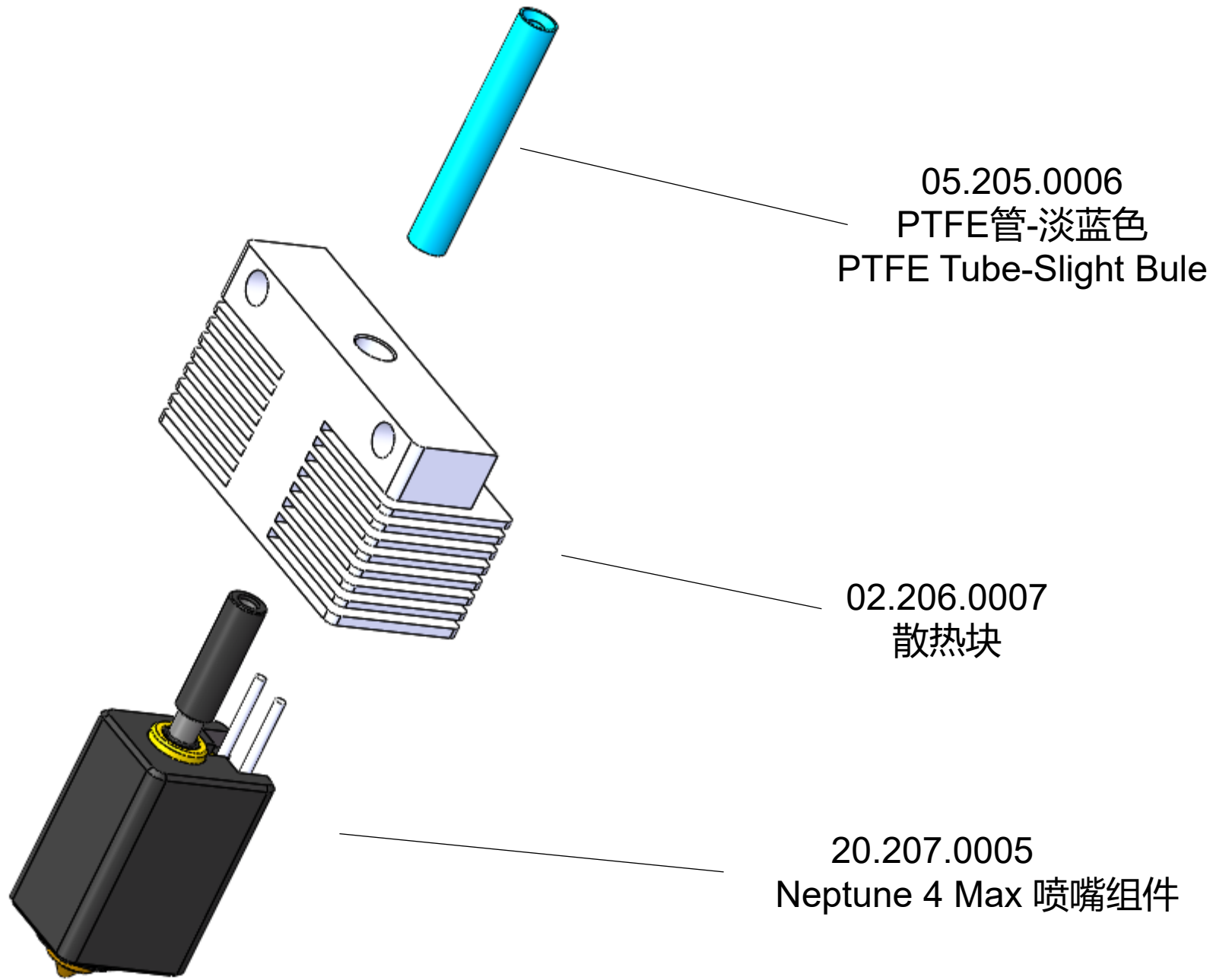
20.205.0074B  
Neptune 4 挤出风扇组件-B  
Extruder Fan Assembly



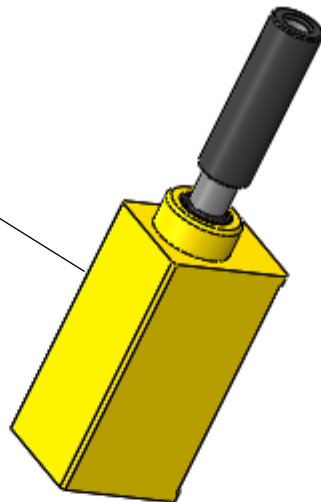
20.206.0032  
Neptune 4 Max 喷嘴套件  
Nozzle Kit



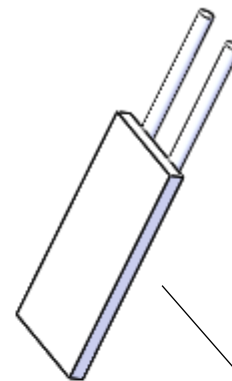
09.202.0002  
内六角半圆头螺钉 M3\*16  
M3 x 16 Hex Socket Screws, Half  
Round



02.208.0005  
喉管加热块组合件



04.208.0014  
热敏电阻  
Nozzle Thermistor



03.203.0008  
加热片卡环



04.210.0013  
陶瓷加热片

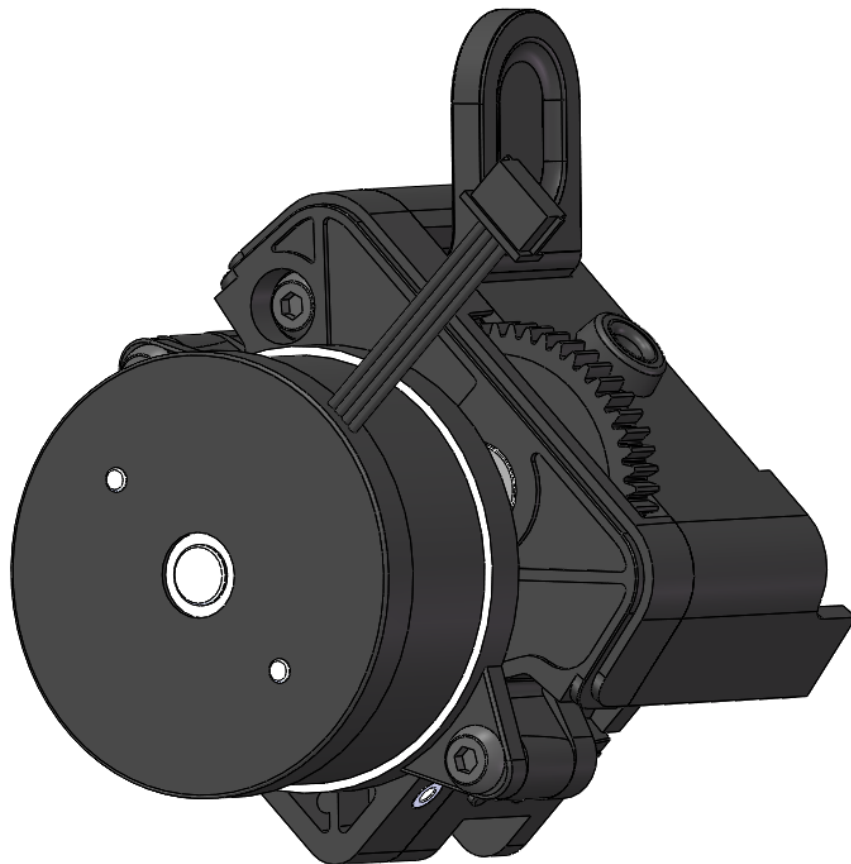
05.209.0027  
热端保护套-NEP4MAX



09.213.0005  
顶丝 M4\*5  
(用于固定喉管加热块组合件与散热块)

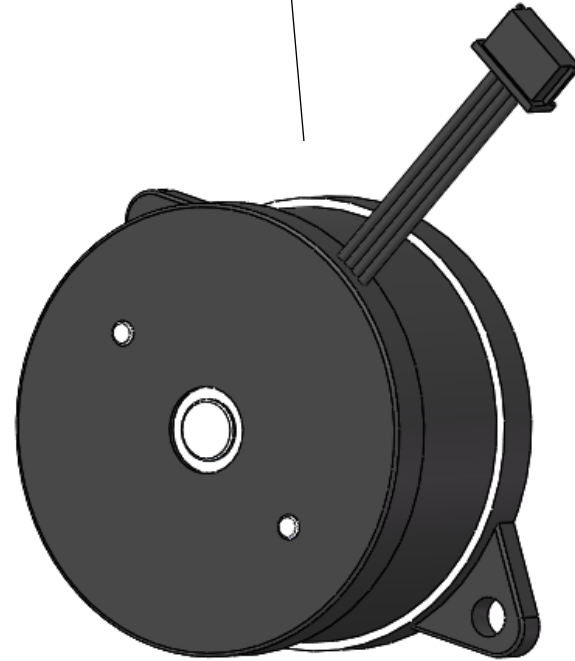
02.207.0010  
高速喷嘴  
Nozzle



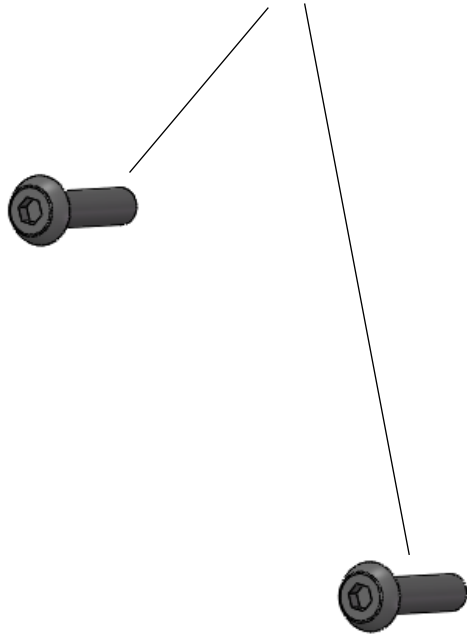


20.205.0073B  
Neptune 4 齿轮箱套件-B  
Gearbox Kit-B

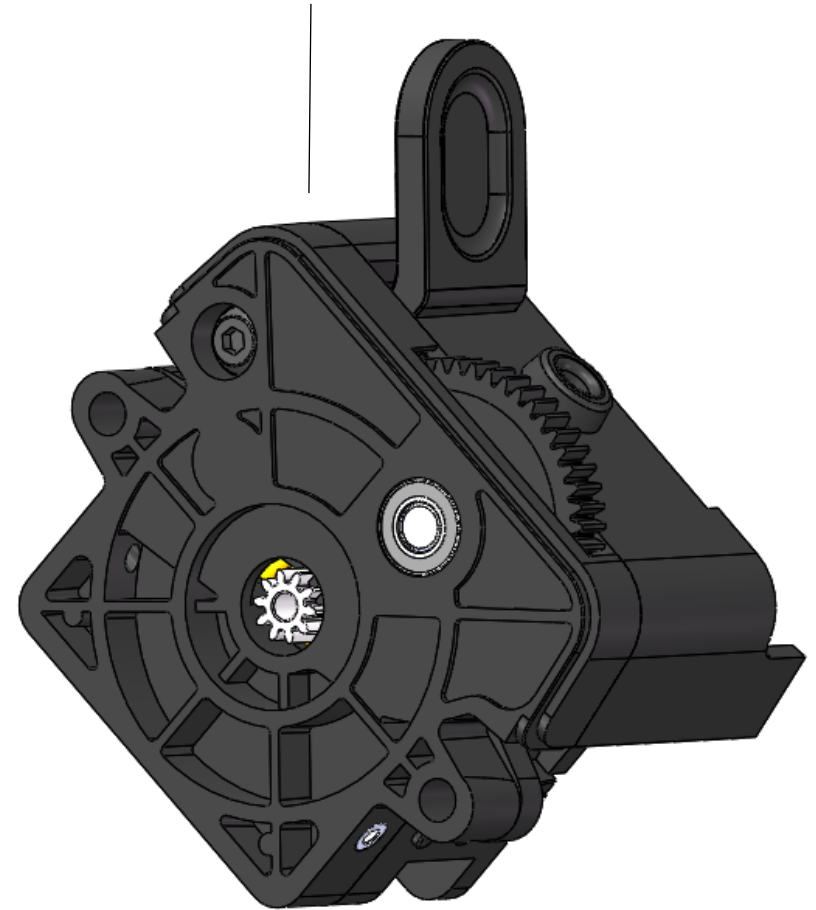
08.201.0011  
36圆形步进电机  
36 Round Stepper Motor



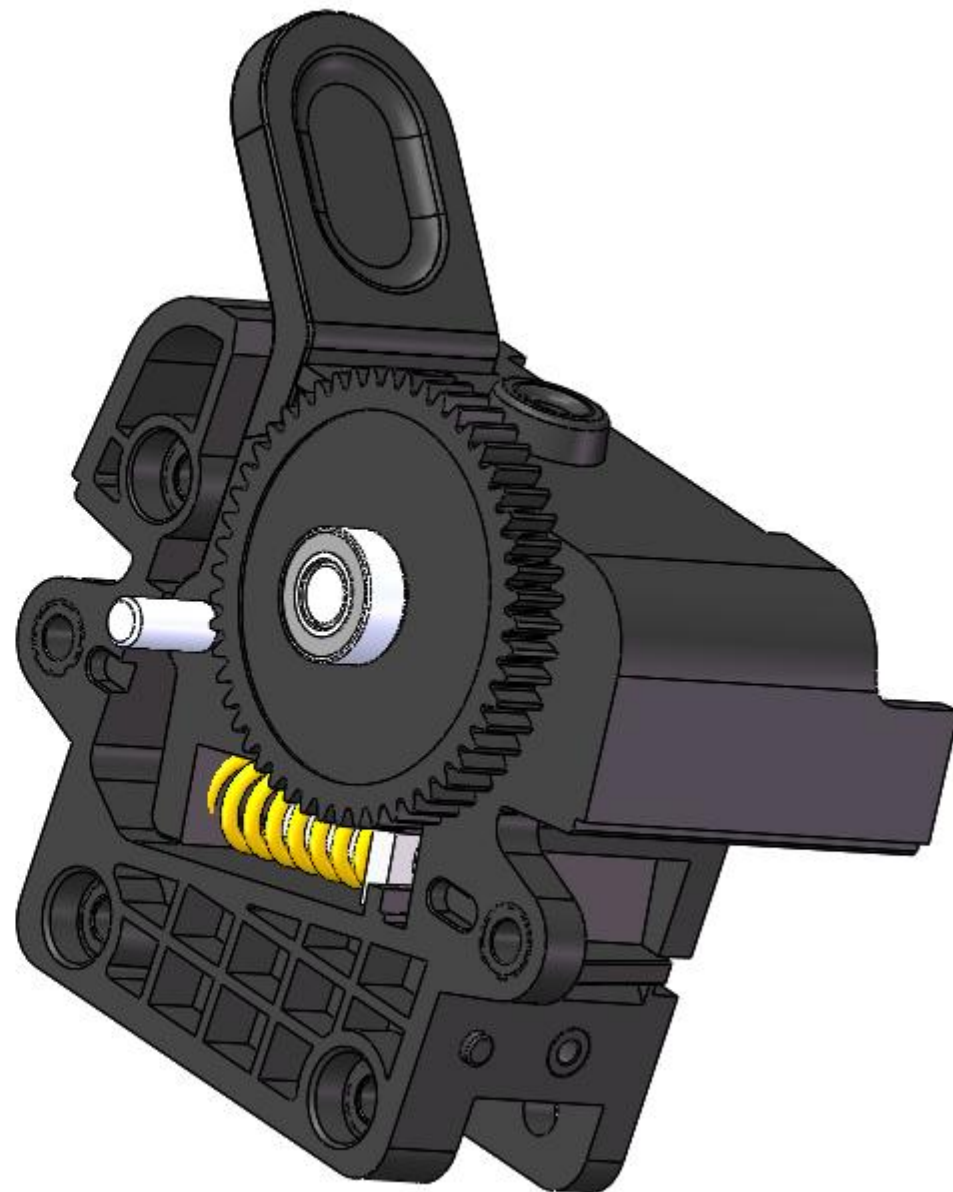
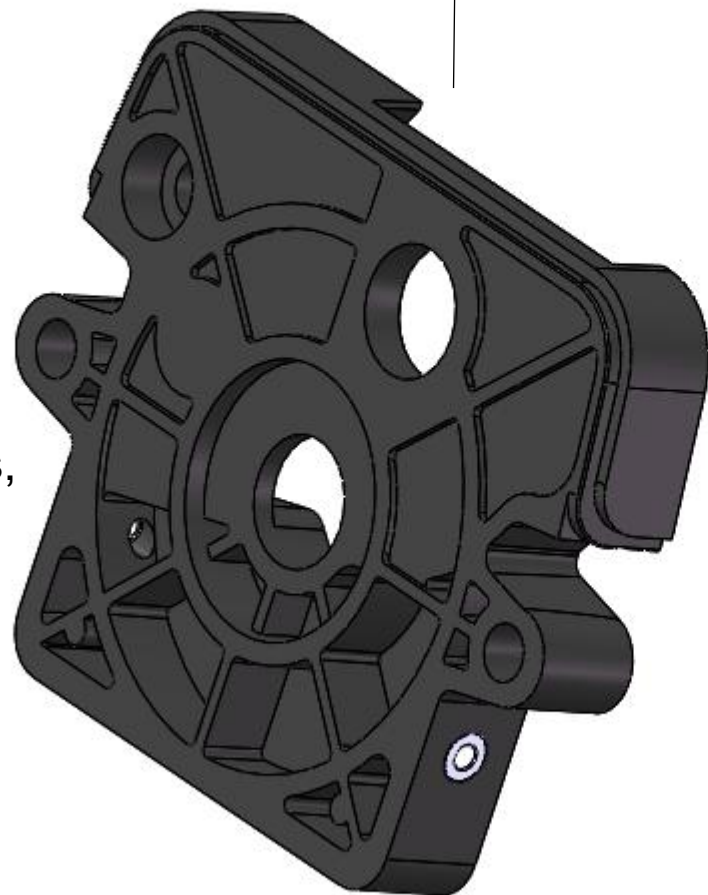
09.202.0009  
内六角半圆头螺钉 M3\*12  
M3 x 12 Hex Socket Screws, Half  
Round



20.206.0043B  
Neptune 4 齿轮箱组件-B



05.201.0106  
齿轮箱盖  
Gearbox Cover



09.202.0009  
内六角半圆头螺钉 M3\*12  
M3 x 12 Hex Socket Screws,  
Half Round

02.204.0008

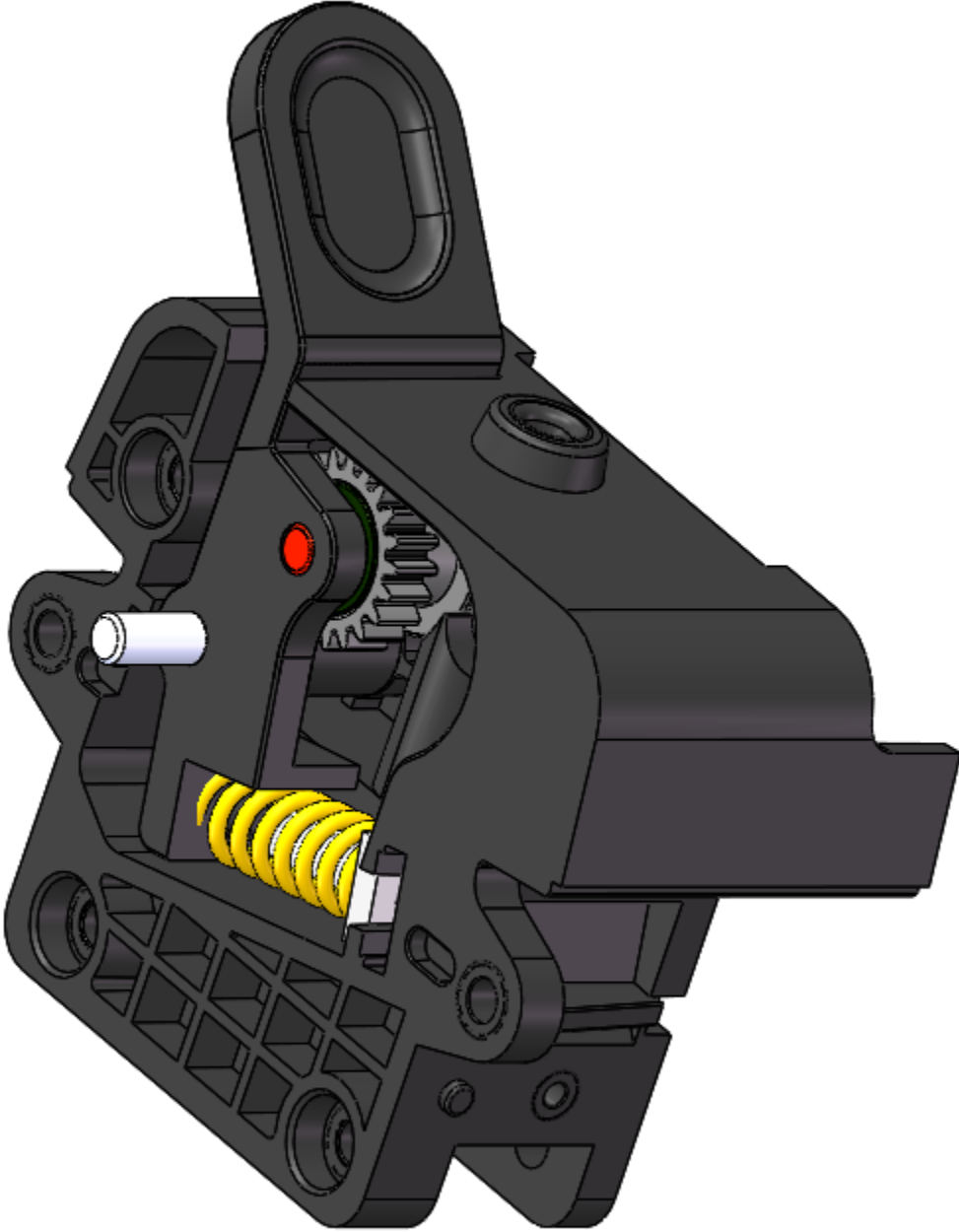
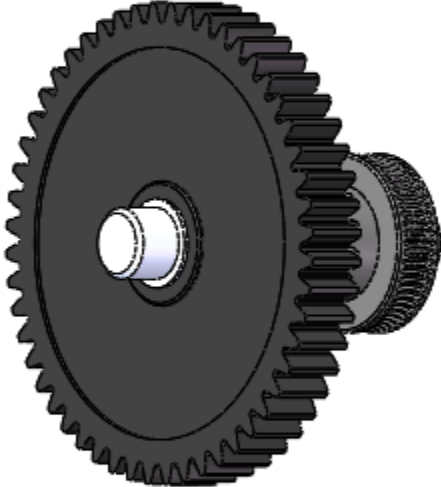
减速组合齿轮

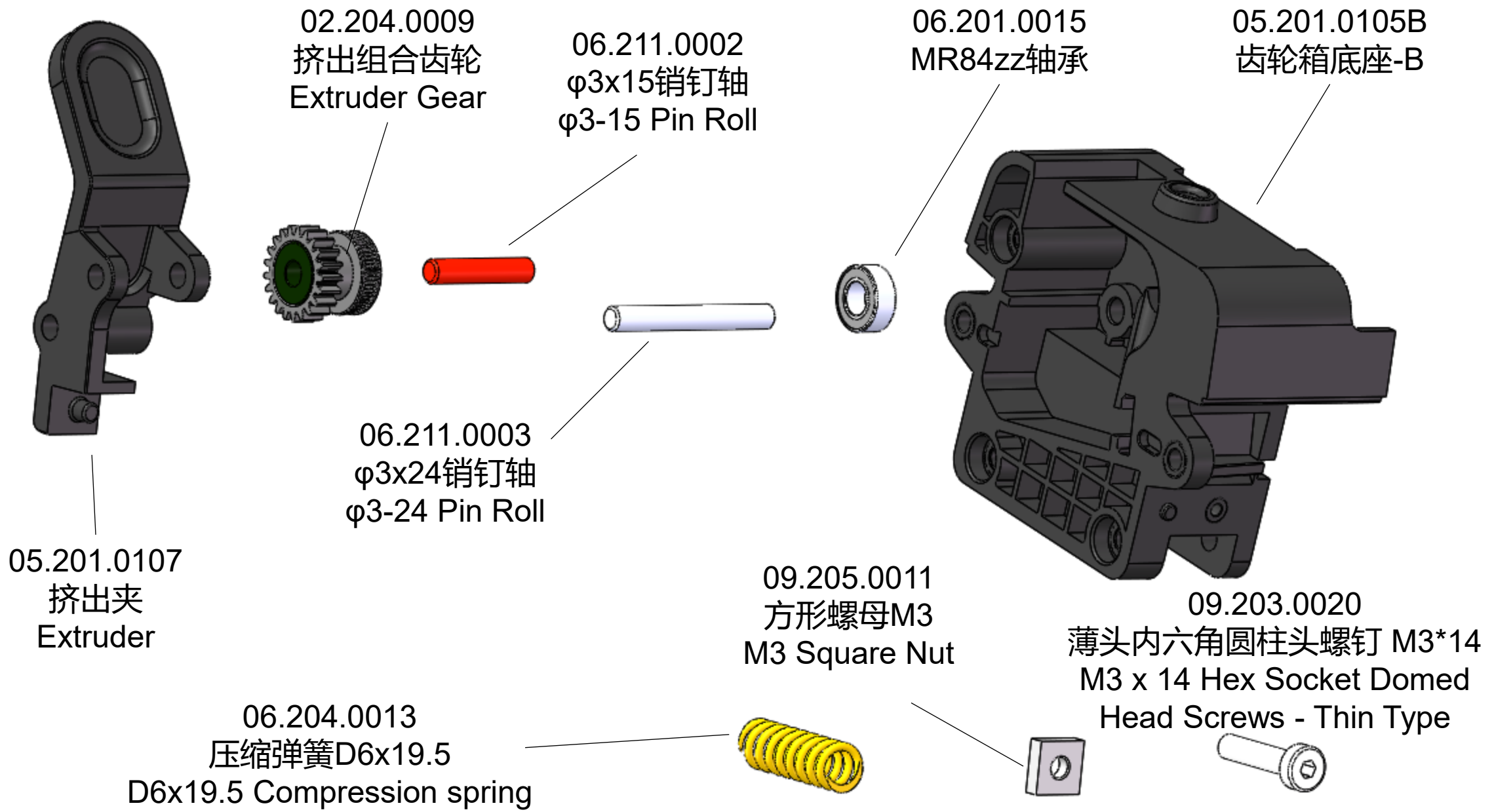
Gear Reduction combination

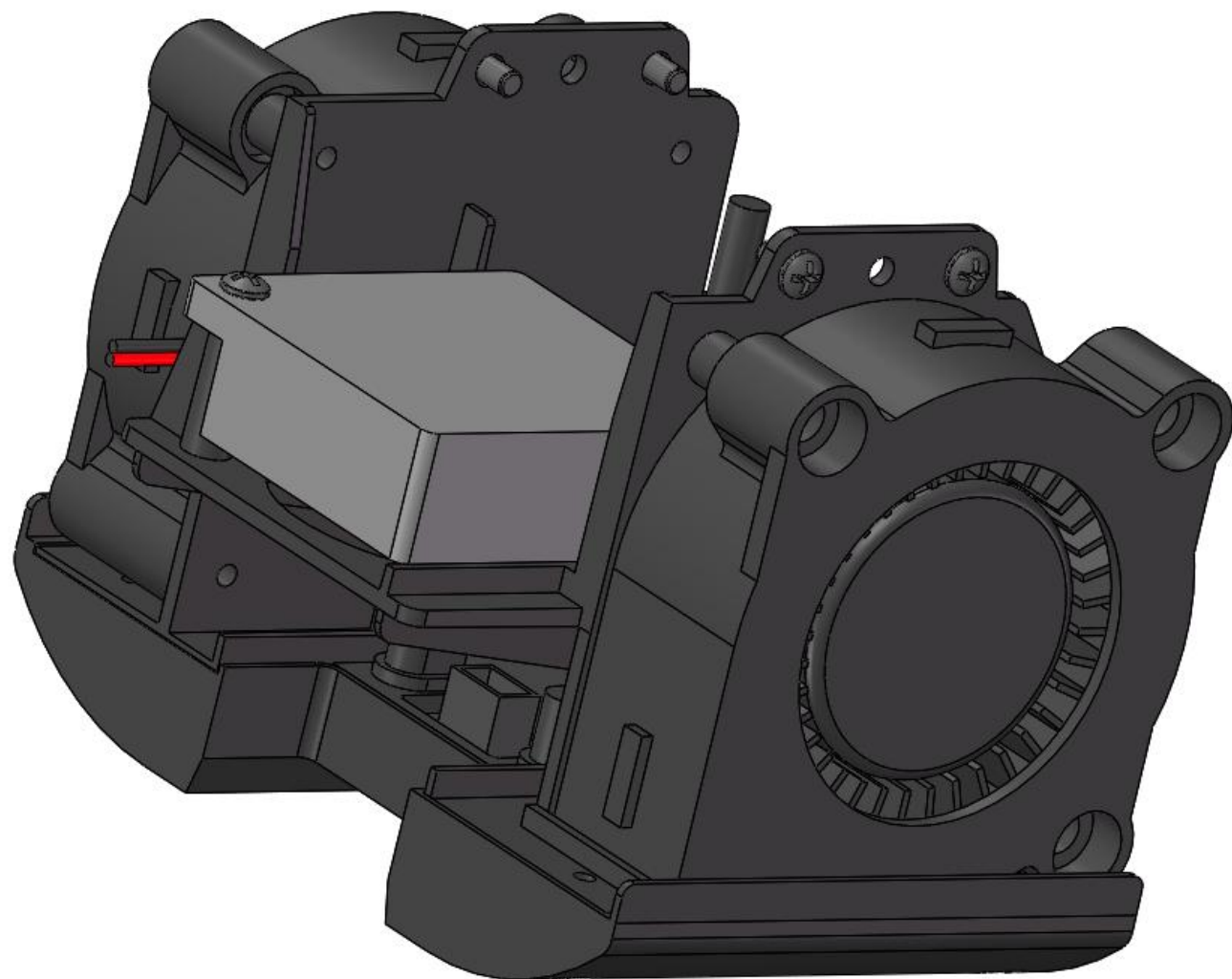
06.201.0015

MR84zz轴承

MR84zz Bearing







20.205.0074B  
Neptune 4 挤出风扇组件-B  
Ectruder Fan Assembly-B

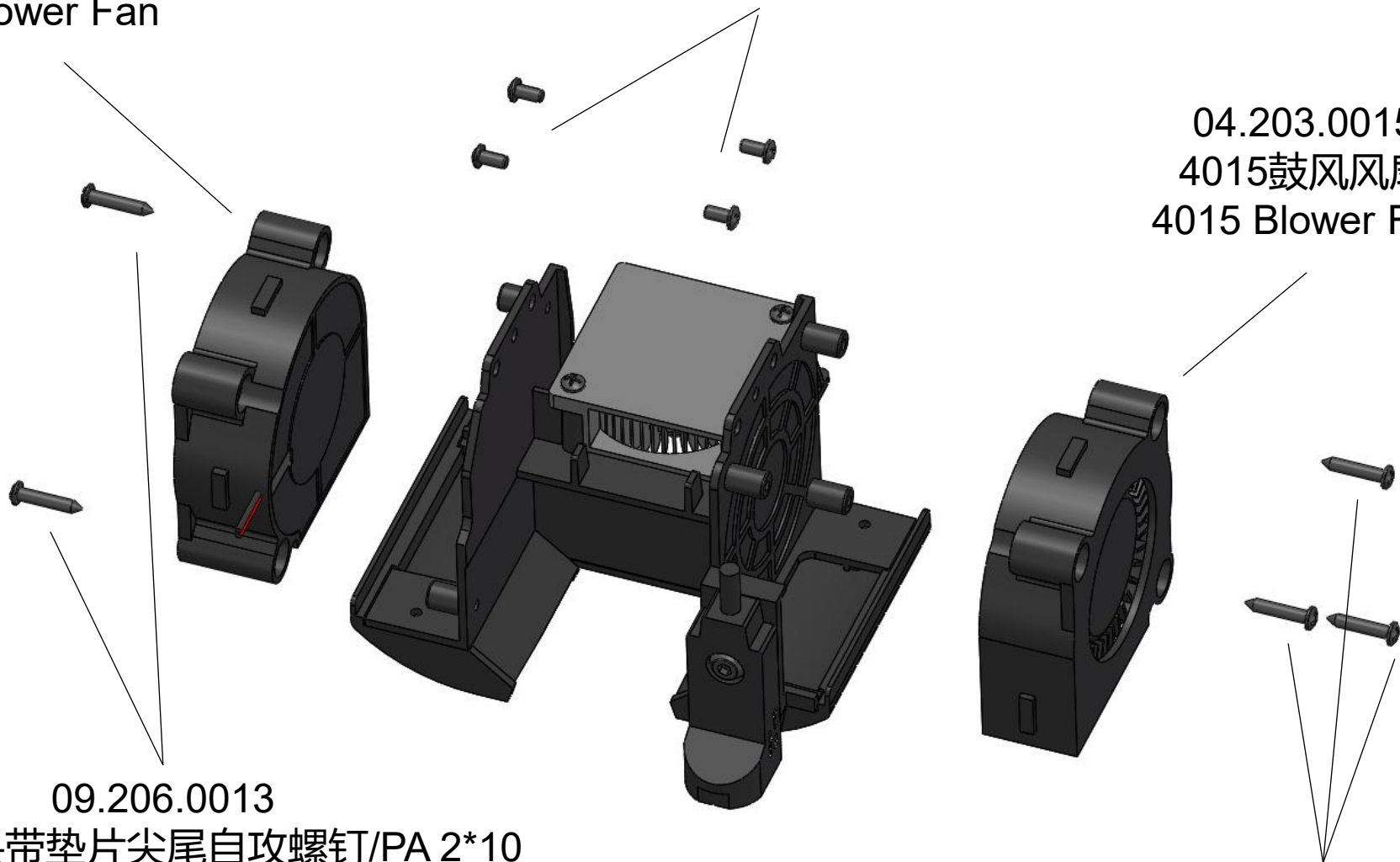
04.203.0015  
4015鼓风风扇  
4015 Blower Fan

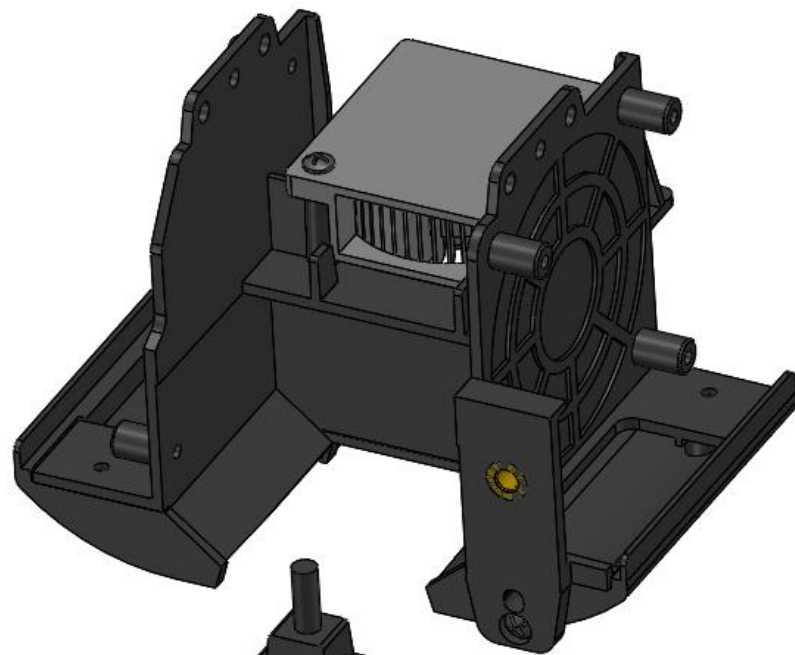
09.202.0040  
十字半圆头螺钉 M2\*4

04.203.0015  
4015鼓风风扇  
4015 Blower Fan

09.206.0013  
十字半圆头带垫片尖尾自攻螺钉/PA 2\*10  
(固定4015风扇的螺丝)  
Half Round Tapping Screws with Washer

09.206.0013  
十字半圆头带垫片尖尾自攻螺钉/PA 2\*10  
(固定4015风扇的螺丝)





09.202.0012

内六角半圆头螺钉 M3\*8

(固定接近开关的螺丝)

M3 x 8 Hex Socket Screws,  
Half Round

04.202.0015

接近开关  
proximity Switch

09.206.0017

十字盘头尖尾自攻螺钉/PA 2\*8

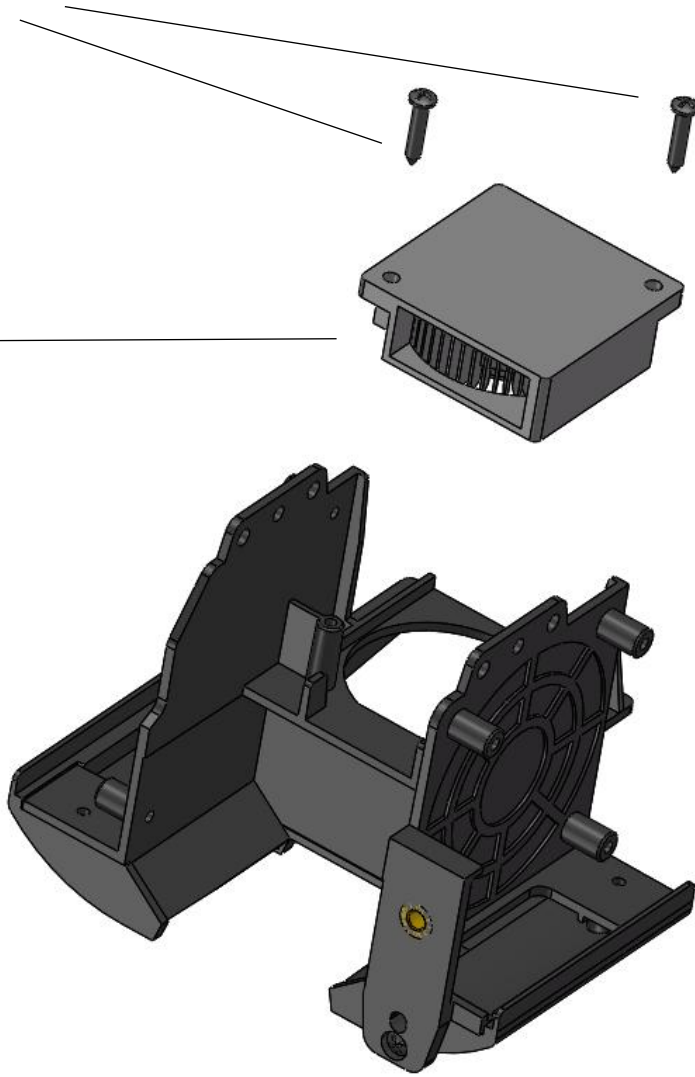
(固定3010散热风扇的螺丝)

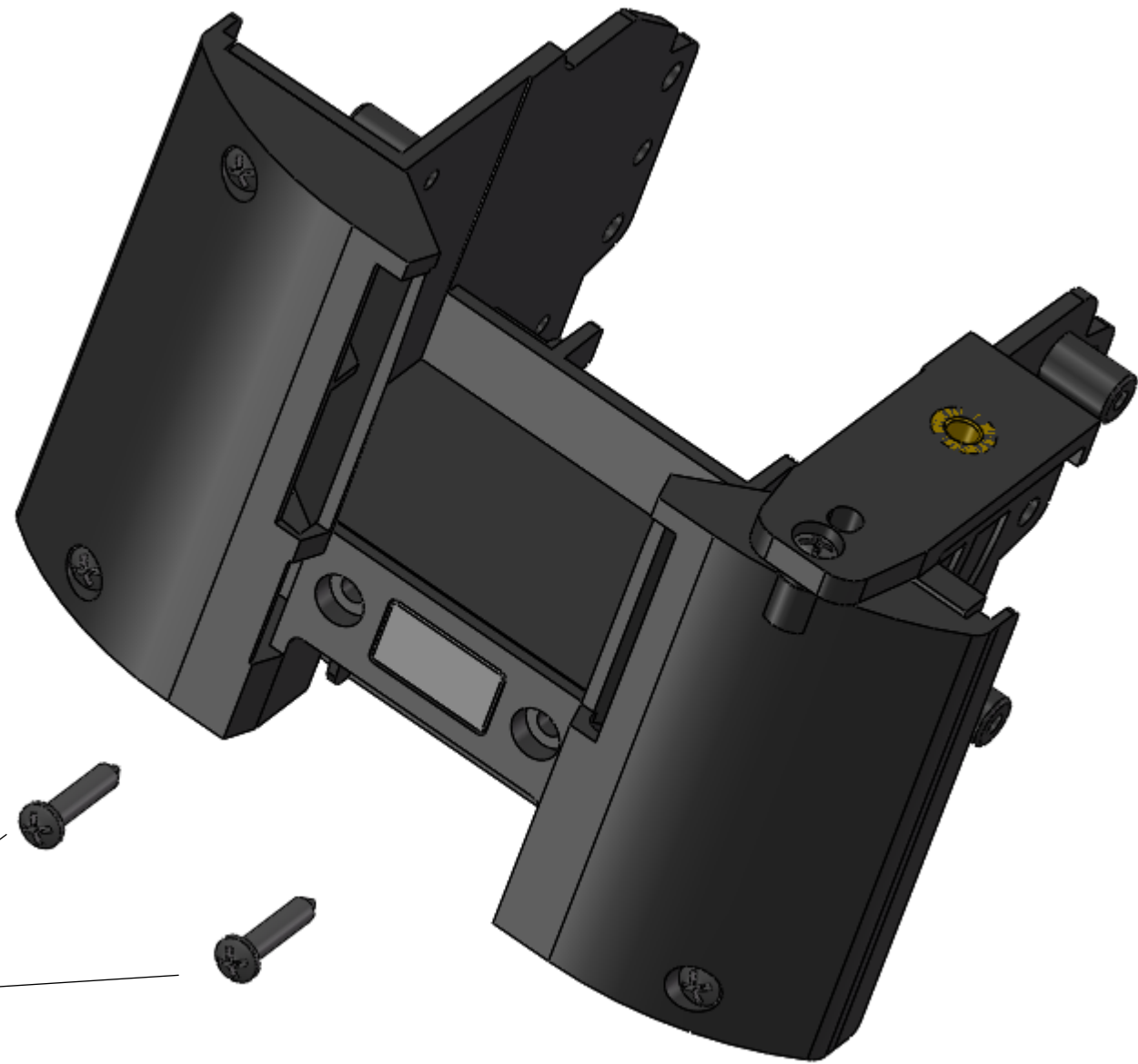
2 x 8 Cross Pan Head Tapping  
Screws

04.203.0014

3010鼓风风扇

3010 Blower Fan





09.206.0017

十字盘头尖尾自攻螺钉/PA 2\*8

(固定灯罩的螺丝)

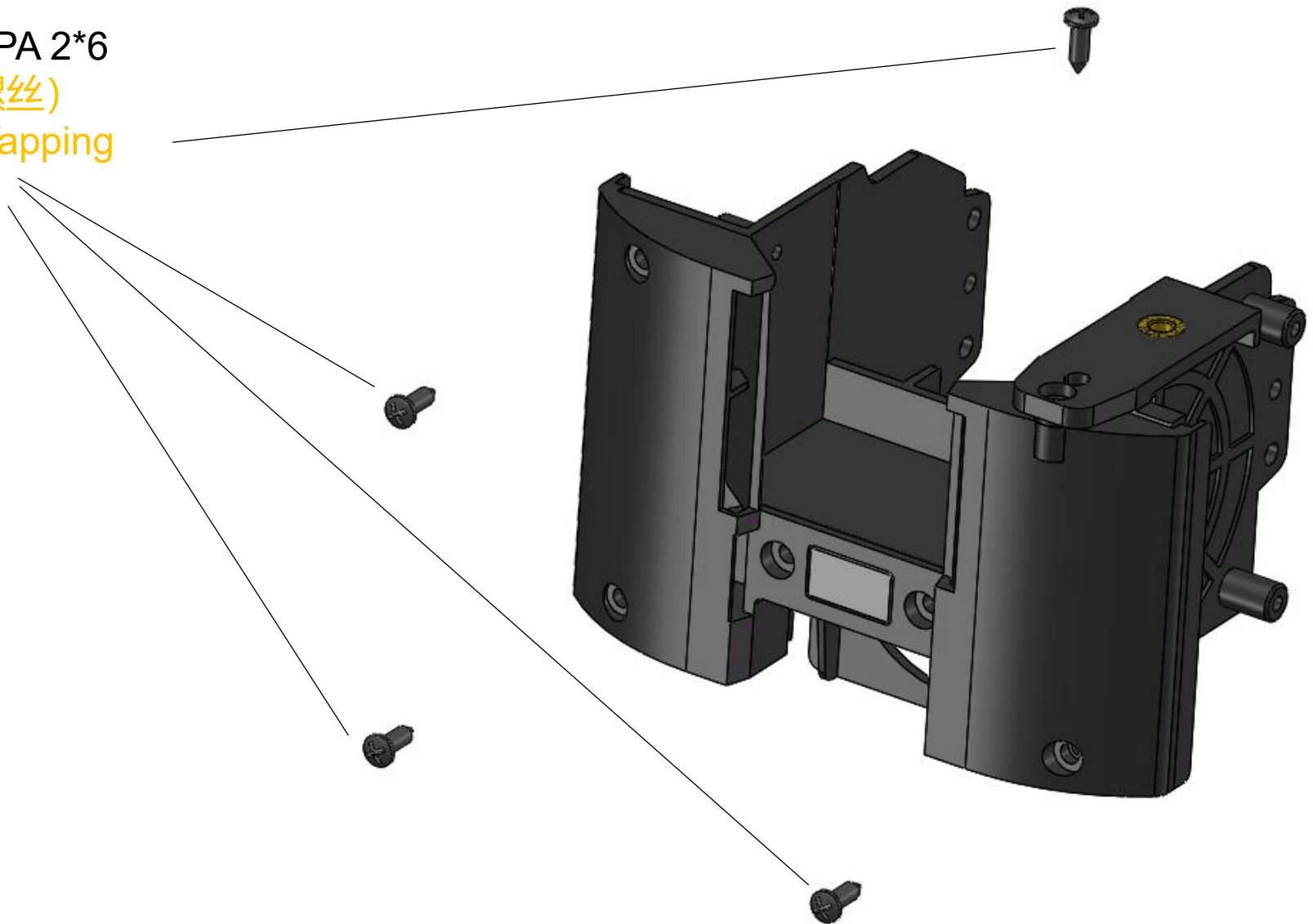
2 x 8 Cross Pan Head Tapping Screws

09.206.0010

十字盘头尖尾自攻螺钉/PA 2\*6

(用于固定导风件的螺丝)

2 x 6 Cross Pan Head Tapping  
Screws



05.201.0103B  
挤出风扇架-B  
Extruder Fan Holder

06.209.0009  
挤出灯板  
Extruder Light Board

05.201.0104  
导风件  
Wind Scooper

10.202.0097  
挤出灯线

05.201.0108  
挤出灯罩  
Extruder Cobver

