



20.202.0032B
裸机-B
Bare Machine-B

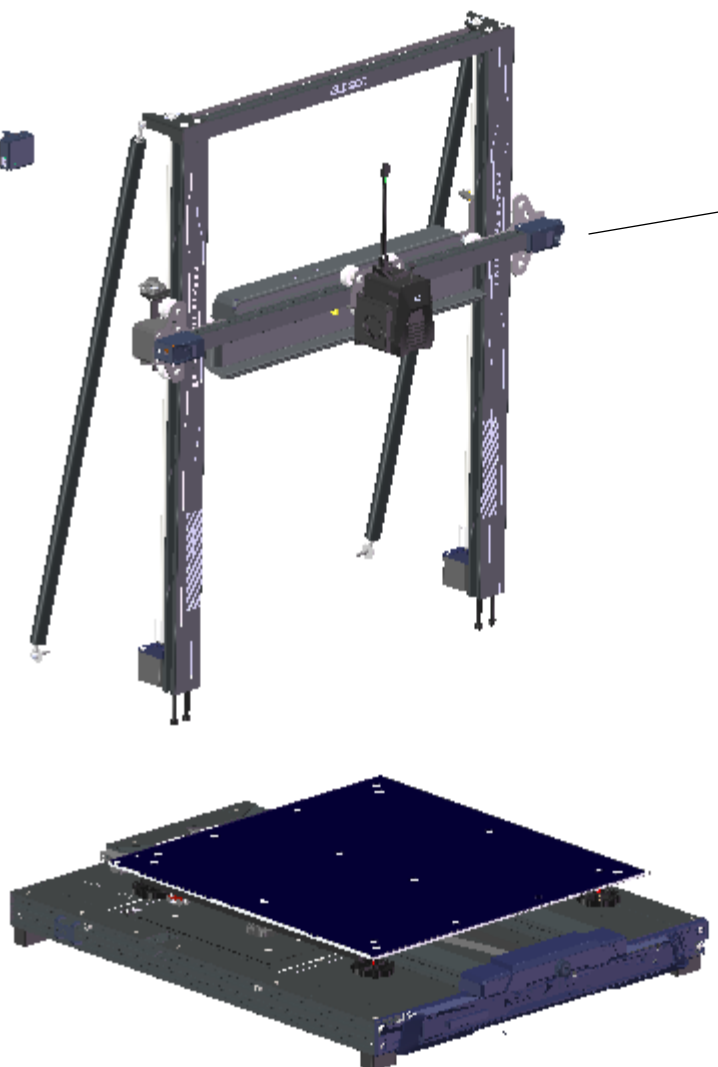
20.203.0030
断料检测组件
Filament Runout Detection
Assembly

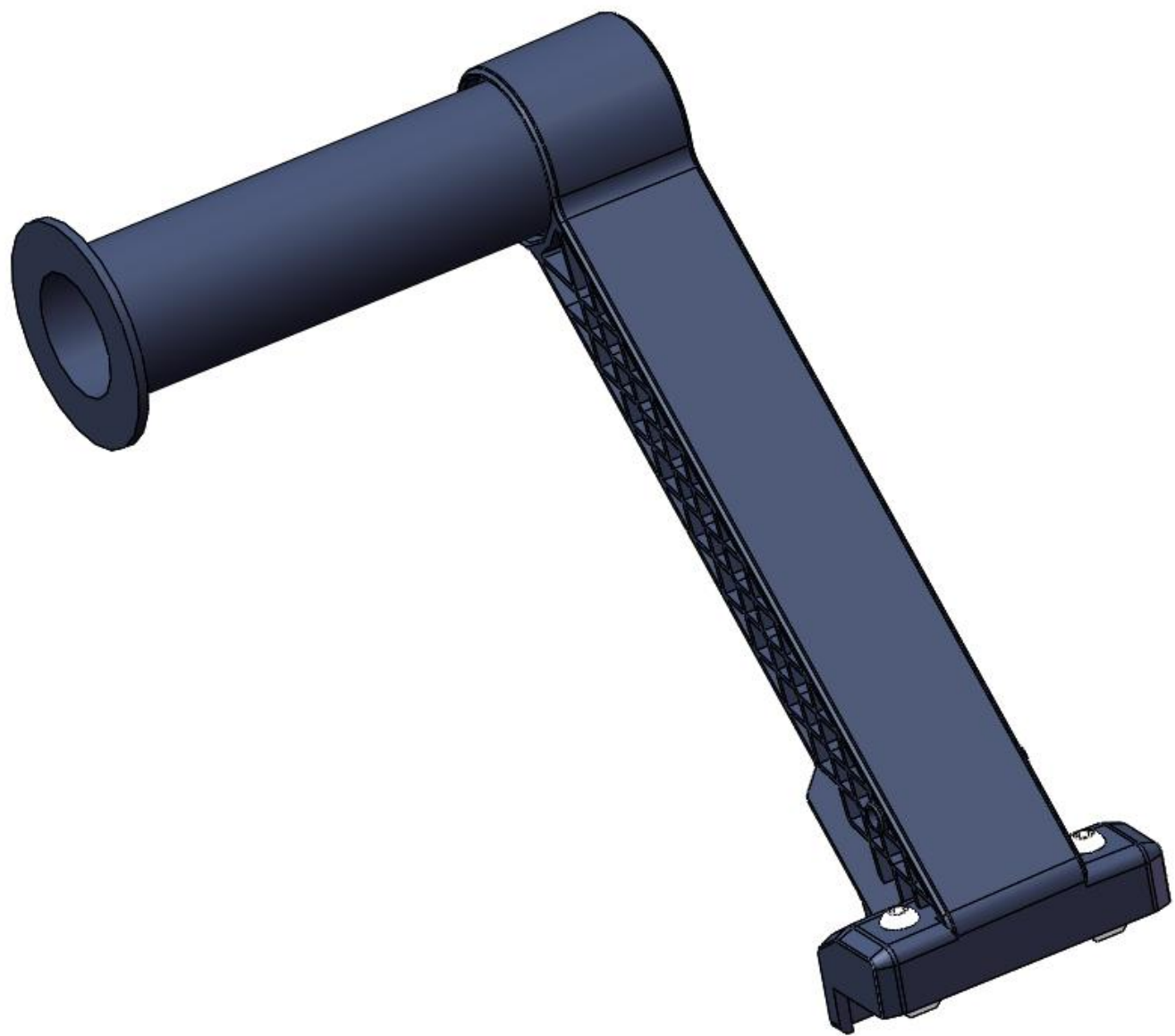
20.203.0034
料架套件
Spool Holder Kit

20.203.0050B
Neptune 4 Max X-Z轴龙门套件-B

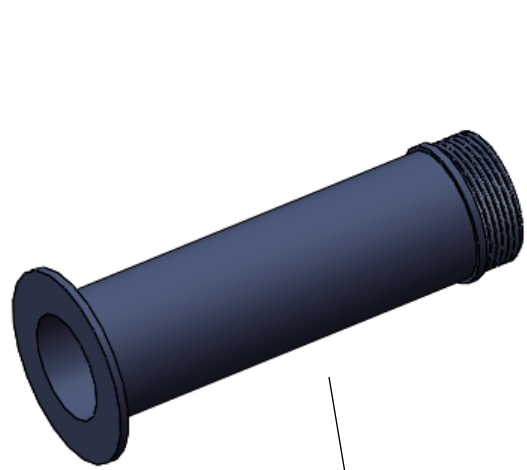
20.203.0029
显示屏套件
Touchscreen Kit

20.203.0049B
底座套件-B
Base Kit-B

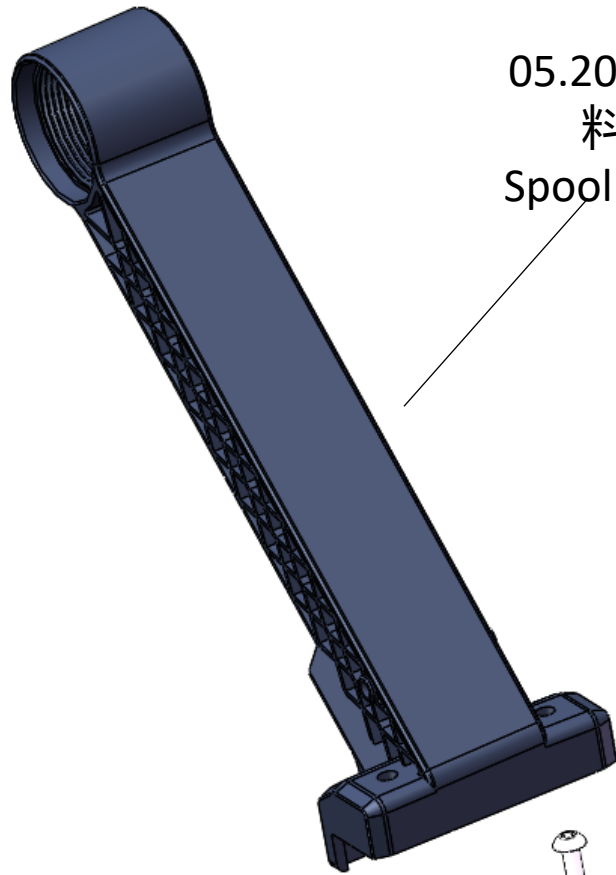




20.203.0034
料架套件
Spool Holder Kit



05.201.0072
料架管
Spool Holder Tube

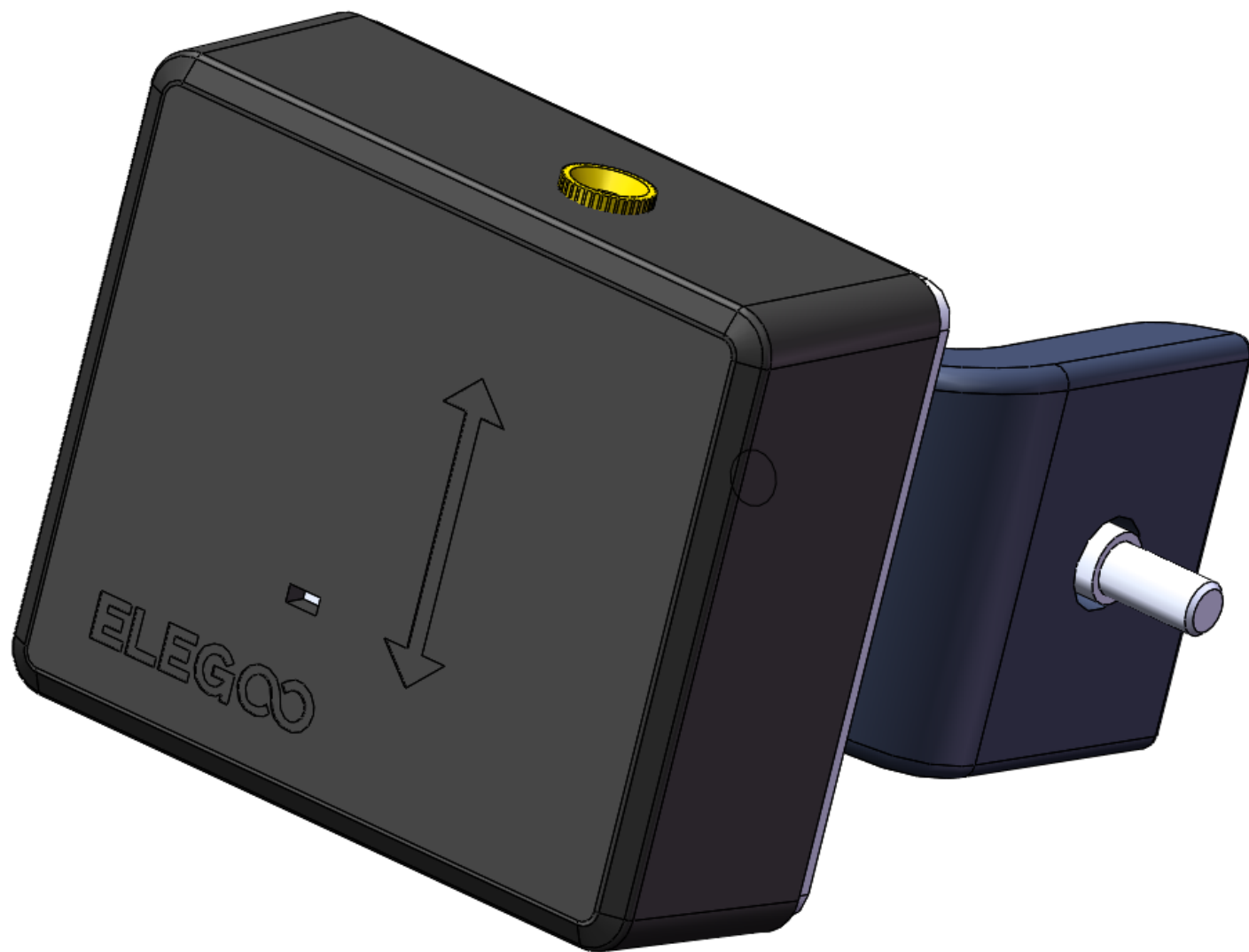


05.201.0065
料架
Spool Holder

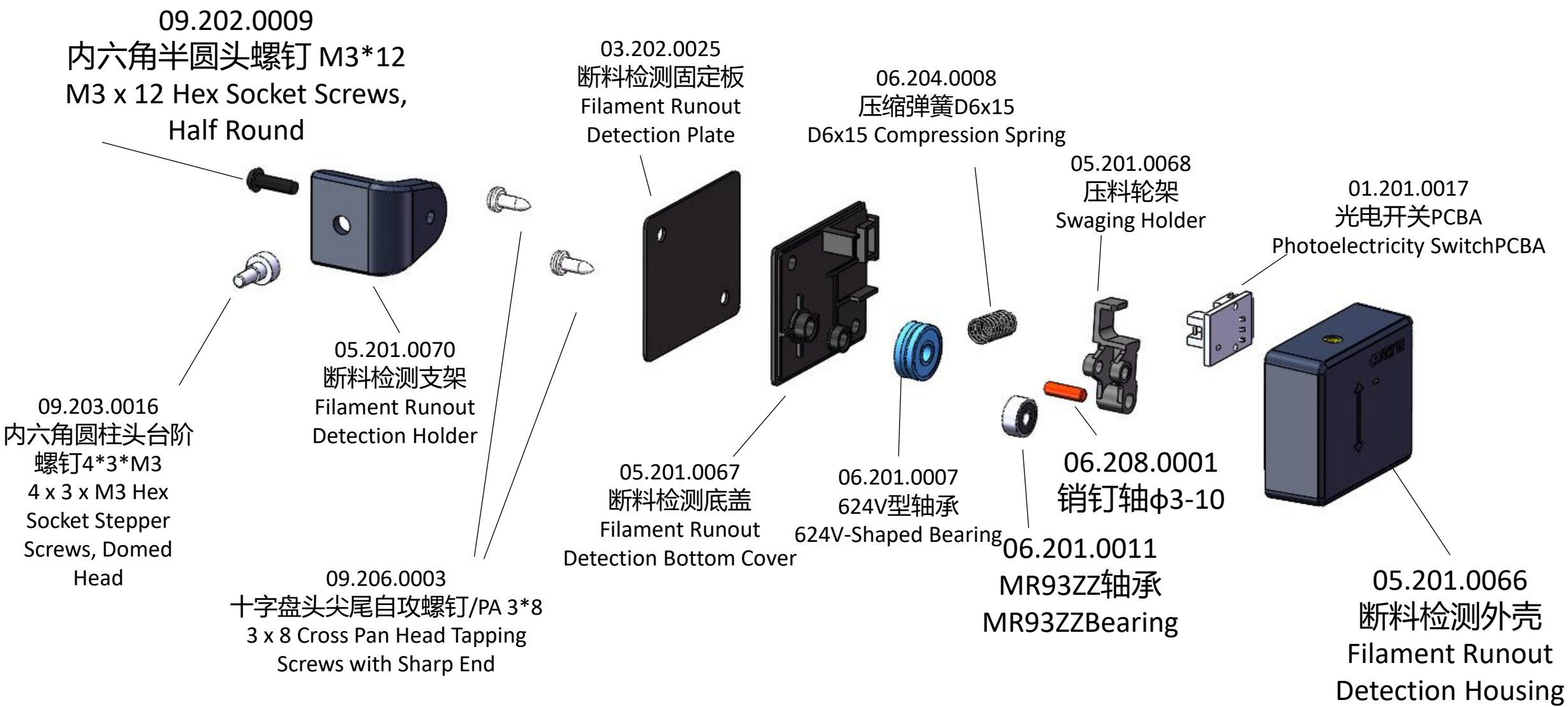
09.202.0029
内六角半圆头螺钉 M4*18
M4 x 18 Hex Socket Screws,
Half Round



09.205.0004
方形滑块螺母 M4
M4 Rectangle Slider Nut

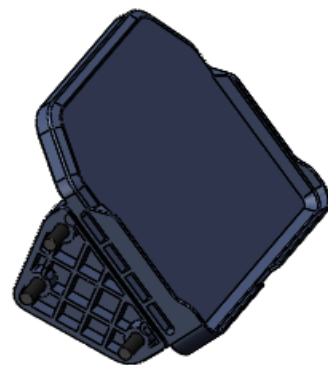


20.203.0030
断料检测组件
Filament Runout
Detection Assembly





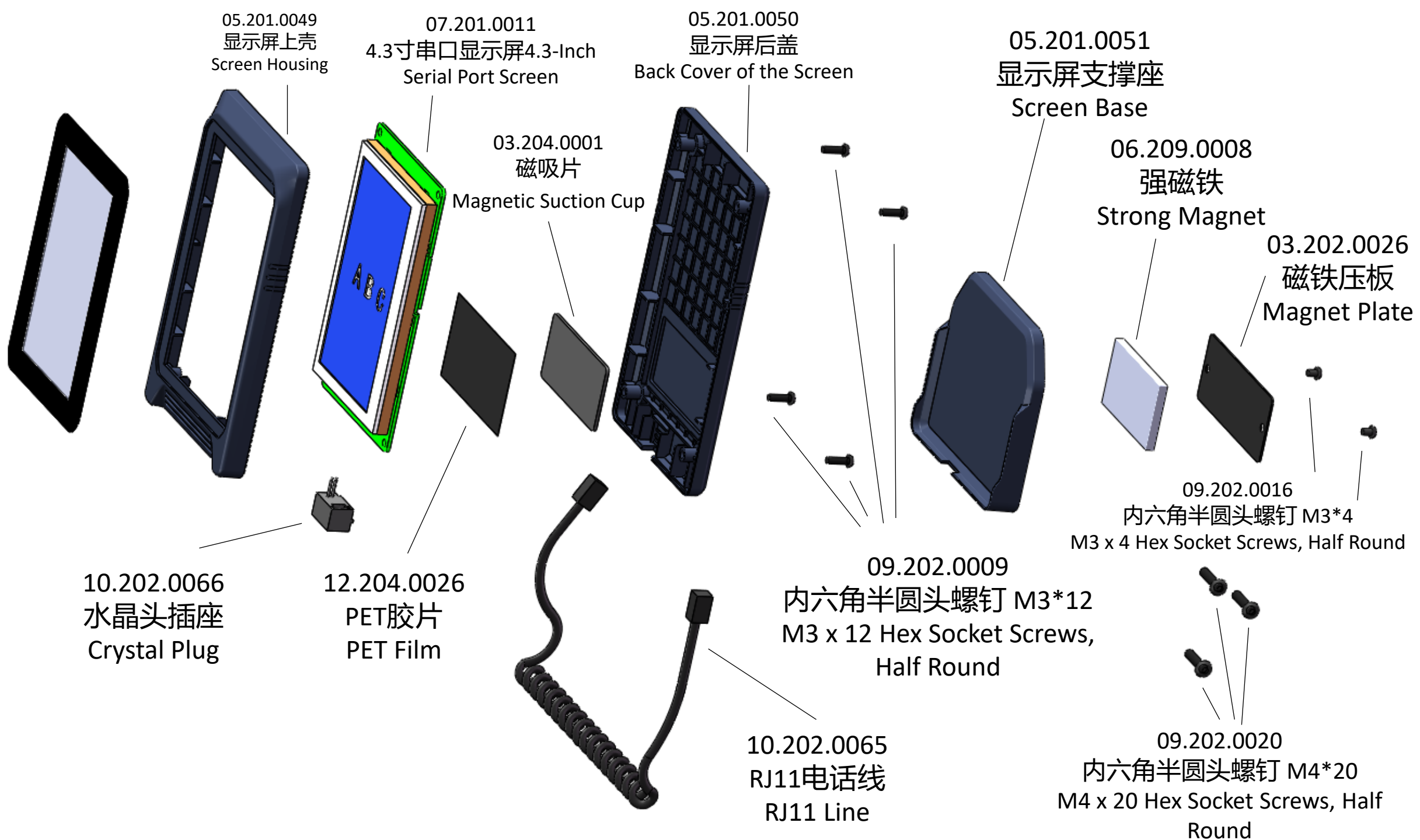
20.203.0029
显示屏套件
Screen Kit



20.204.0067
显示屏支架组件
Screen Holder Assembly



20.204.0068
显示屏组件
Screen Assembly



05.201.0049
显示屏上壳
Screen Housing

07.201.0011
4.3寸串口显示屏4.3-Inch
Serial Port Screen

05.201.0050
显示屏后盖
Back Cover of the Screen

05.201.0051
显示屏支撑座
Screen Base

03.204.0001
磁吸片
Magnetic Suction Cup

06.209.0008
强磁铁
Strong Magnet

03.202.0026
磁铁压板
Magnet Plate

09.202.0016
内六角半圆头螺钉 M3*4
M3 x 4 Hex Socket Screws, Half Round

10.202.0066
水晶头插座
Crystal Plug

12.204.0026
PET胶片
PET Film

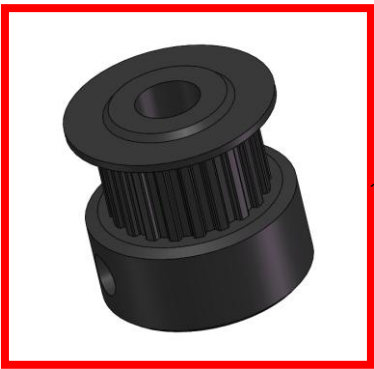
09.202.0009
内六角半圆头螺钉 M3*12
M3 x 12 Hex Socket Screws,
Half Round

09.202.0020
内六角半圆头螺钉 M4*20
M4 x 20 Hex Socket Screws, Half
Round

10.202.0065
RJ11电话线
RJ11 Line



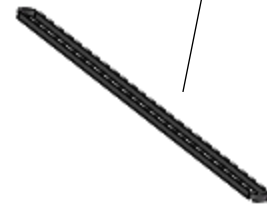
20.203.0050B
Neptune 4 Max X-Z轴龙门套件-B



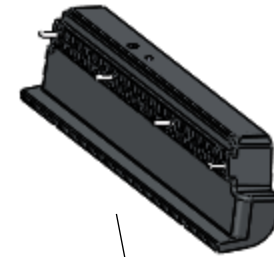
20.206.0045
同步轮-D5
Timing Pulley-D5



05.202.0005
环形同步带
Loop Timing Belt

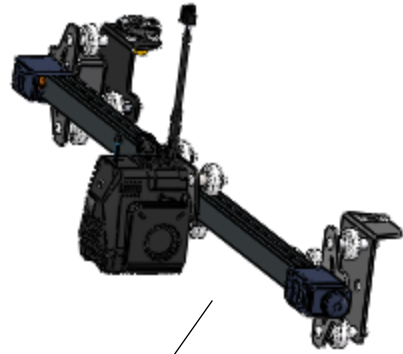


20.204.0109
拉杆组件
Rod Assembly



20.204.0142
后散热组件
Rear Heat Sissipation Assembly

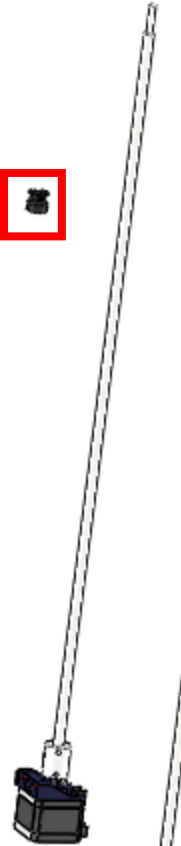
20.204.0141B
X轴套件-B
X-Axis Kit-B



20.204.0210
龙门架套件-B
Gantry Column Kit-B



20.204.0212
Neptune 3 Plus Z轴电机组件-左
Z-Axis Motor Assembly-Left



20.204.0211
Neptune 4 Max Z轴电机组件-右
Z-Axis Motor Assembly-Right



20.205.0149
顶部钣金组件-左
Top Metal Sheet Assembly-Left



20.205.0148
顶部钣金组件-右
Top Metal Sheet Assembly-Right



20.205.0063
Neptune 3 Max 横梁组件
Neptune 3 Max Beam
Assembly

02.203.0045
2040型材-z轴左型材
2040Profile-Z Motor Right Profile

02.203.0044
2040型材-z轴右型材
2040Profile-Z Motor Right Profile

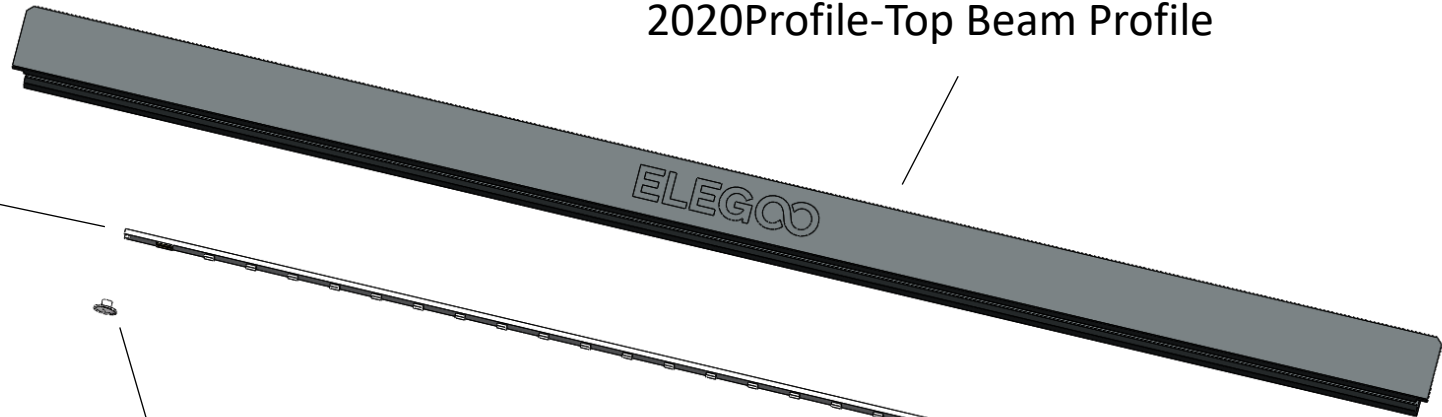


09.207.0004
内六角圆柱头弹垫组合
螺钉 M5*45

20.205.0063
横梁组件
Beam Assembly



02.203.0047
2020型材-顶端横梁型材
2020Profile-Top Beam Profile

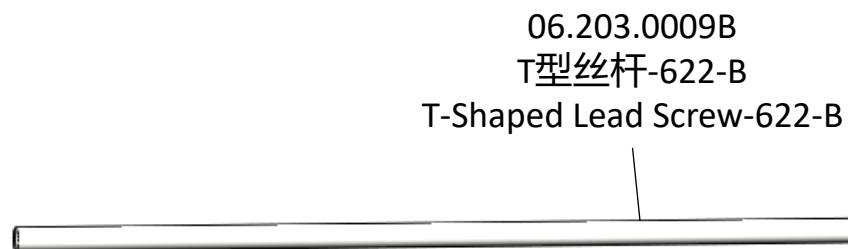
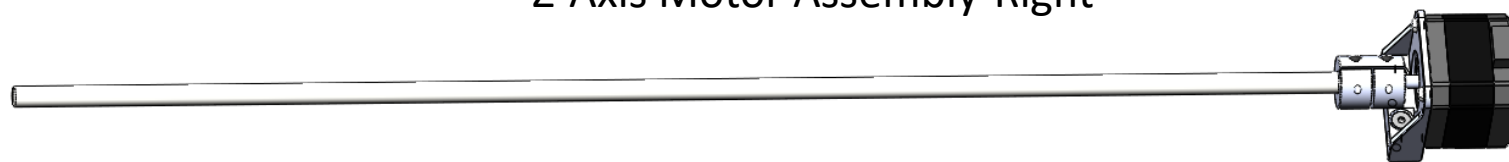


06.209.0004
LED-灯条-L430
Light



09.201.0018
内六角沉头螺钉 M2*5
M2 x 5 Hex Socket
Countersunk Screws

20.204.0211
z轴电机组件—右
Z-Axis Motor Assembly-Right



09.202.0001
内六角半圆头螺钉 M3*6
M3 x 6 Hex Socket Screws, Half Round

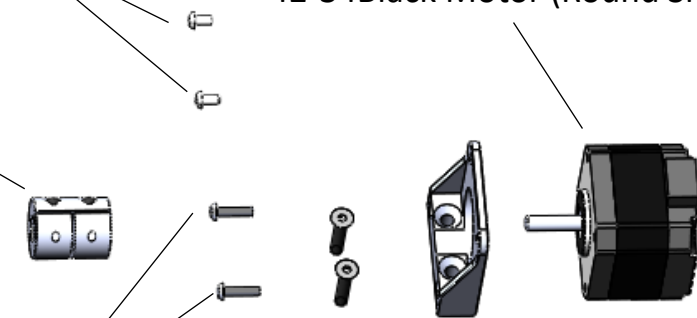
06.207.0001
刚性联轴器
Standard
Coupling

08.201.0005
42-34黑色电机 (圆轴)
42-34Black Motor (Round Shaft)

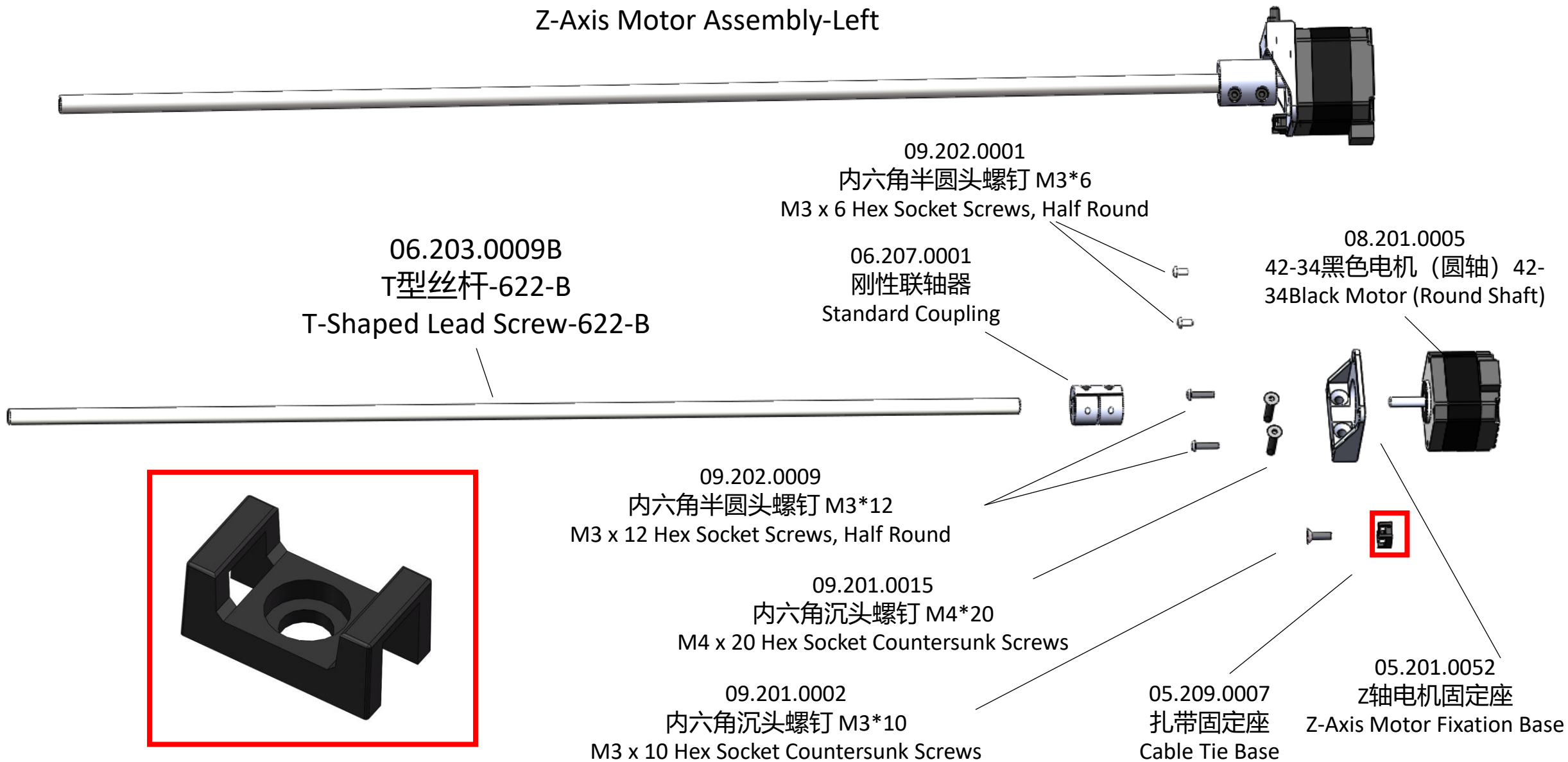
09.202.0009
内六角半圆头螺钉 M3*12
M3 x 12 Hex Socket Screws, Half Round

09.201.0015
内六角沉头螺钉 M4*20

05.201.0052
z轴电机固定座
Z-Axis Motor
Fixation Base



20.204.0212
z轴电机组件-左
Z-Axis Motor Assembly-Left



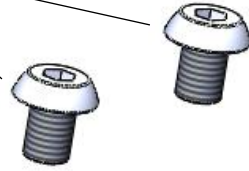


20.205.0149

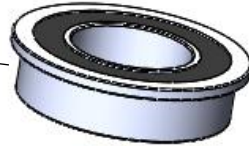
顶部钣金组件-左

Top Metal Sheet Assembly-Left

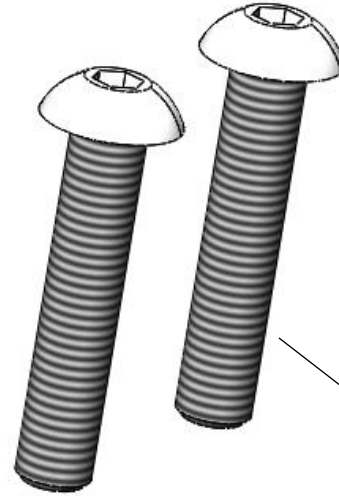
09.202.0016
内六角半圆头螺钉 M3*4
M3 x 4 Hex Socket Screws, Half Round



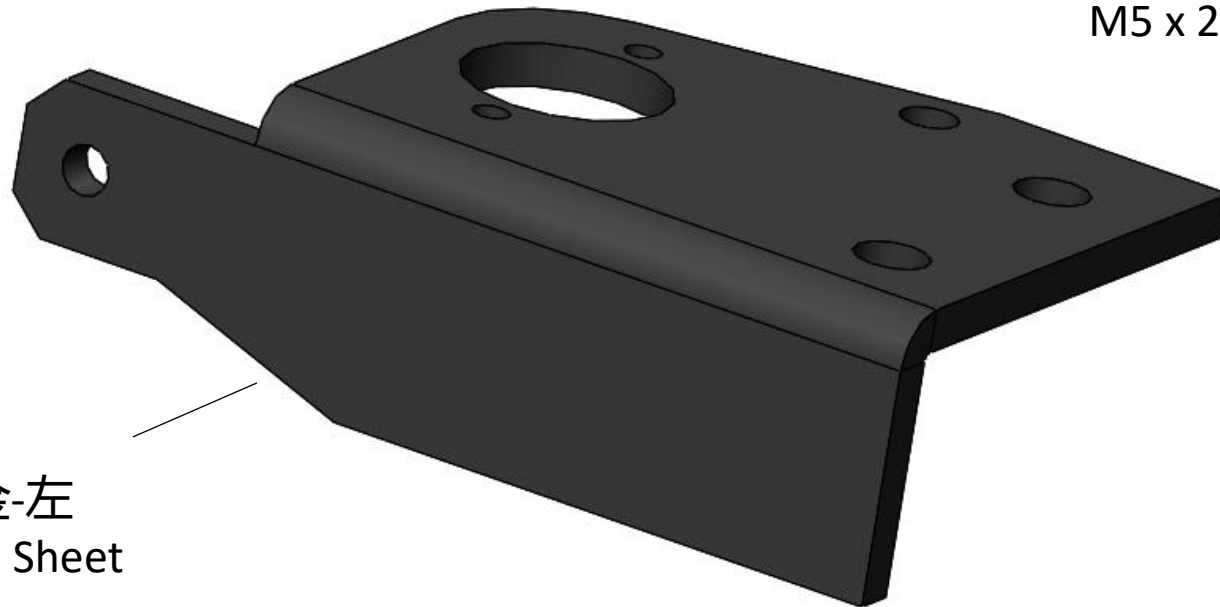
06.201.0030
F605ZZ法兰轴承
F605ZZ Flange Bearing



09.202.0024
内六角半圆头螺钉 M5*25
M5 x 25 Hex Socket Screws, Half Round



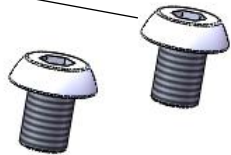
03.202.0047
丝杆顶部固定板金-左
Top Lead Screw Metal Sheet
Assembly-Left



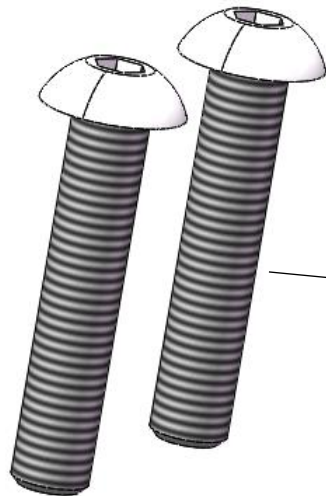


20.205.0148
顶部钣金组件-右
Top Lead Screw Metal
Sheet Assembly-Right

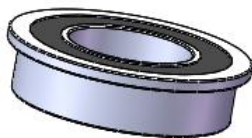
09.202.0016
内六角半圆头螺钉 M3*4
M3 x 4 Hex Socket Screws, Half Round



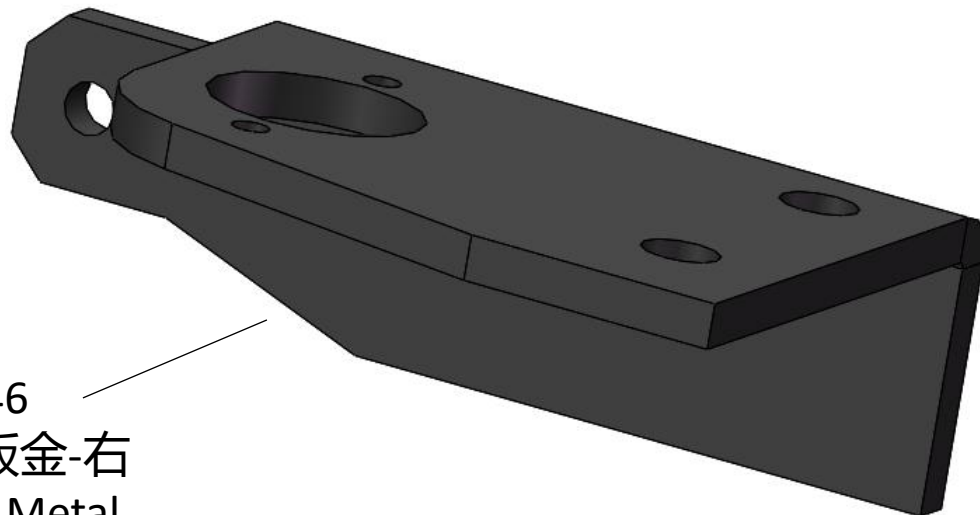
09.202.0024
内六角半圆头螺钉 M5*25
M5 x 25 Hex Socket Screws, Half Round



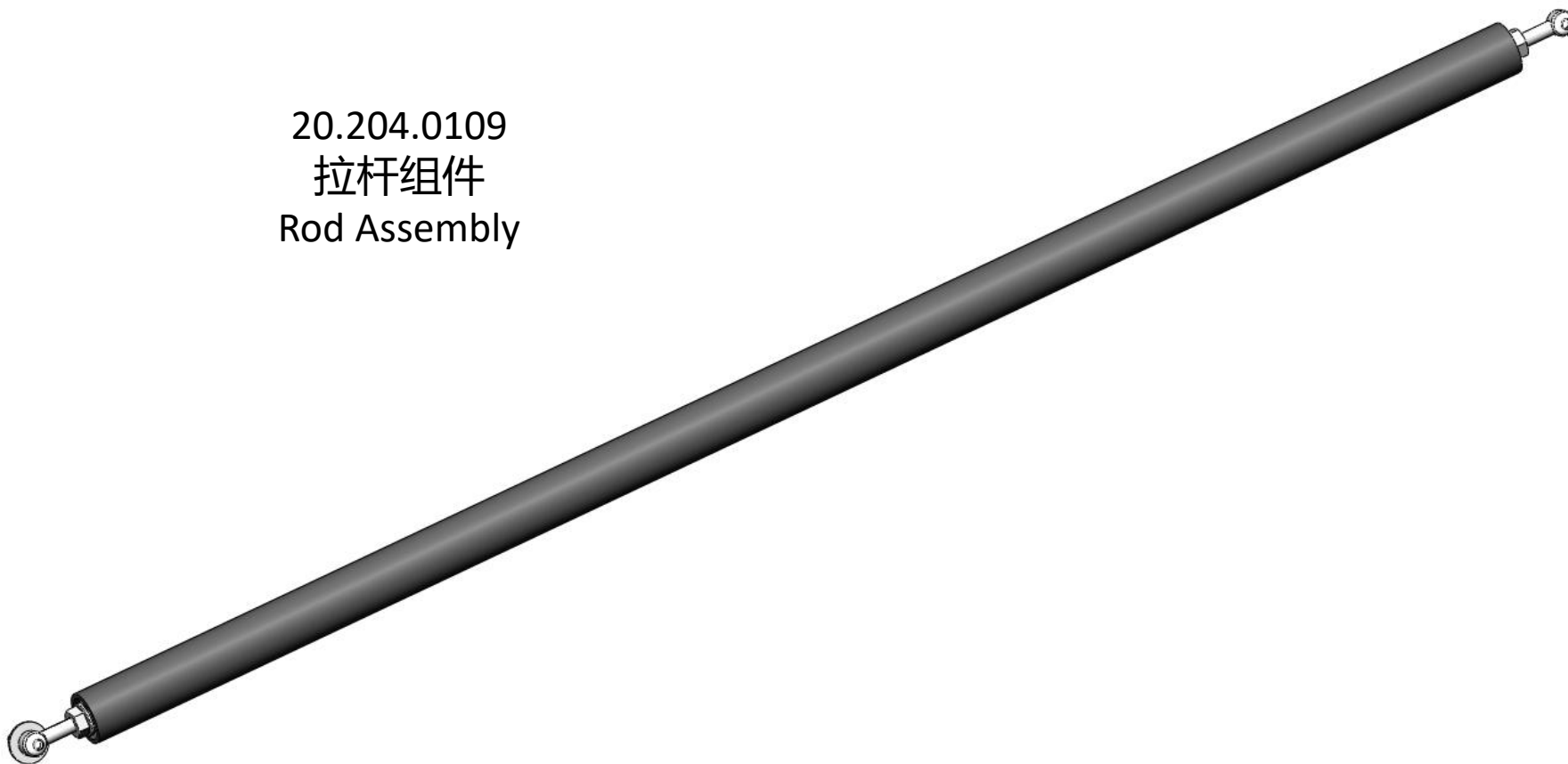
06.201.0030
F605ZZ法兰轴承
F605ZZ Flange Bearing



03.202.0046
丝杆顶部固定板金-右
Top Lead Screw Metal
Sheet Assembly-Right



20.204.0109
拉杆组件
Rod Assembly



09.214.0001
活节螺丝 M5*25
M5 x 25
Swing Screw

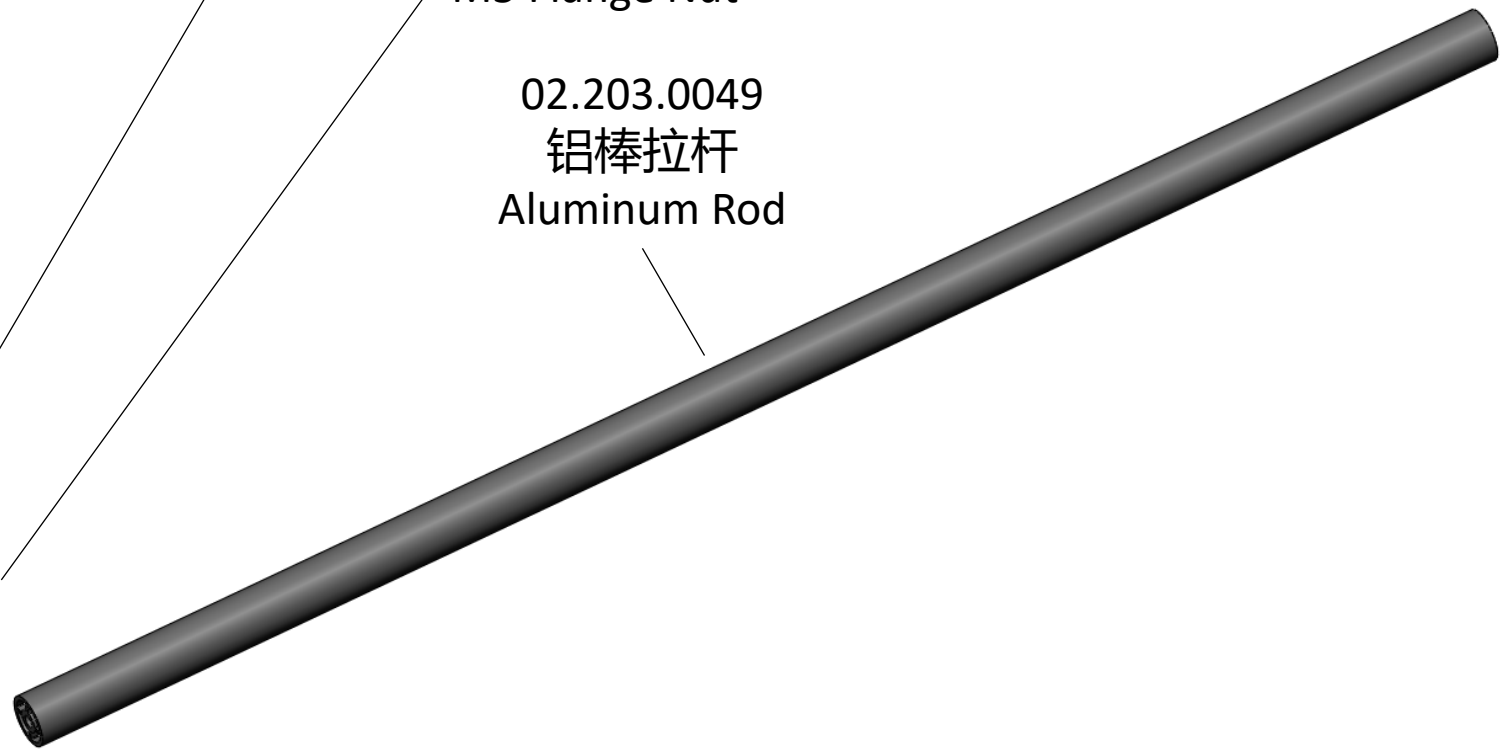
09.202.0018
内六角半圆头螺钉 M4*8
M4 x 8 Hex Socket Screws, Half Round

09.205.0008
法兰螺母 M5
M5 Flange Nut

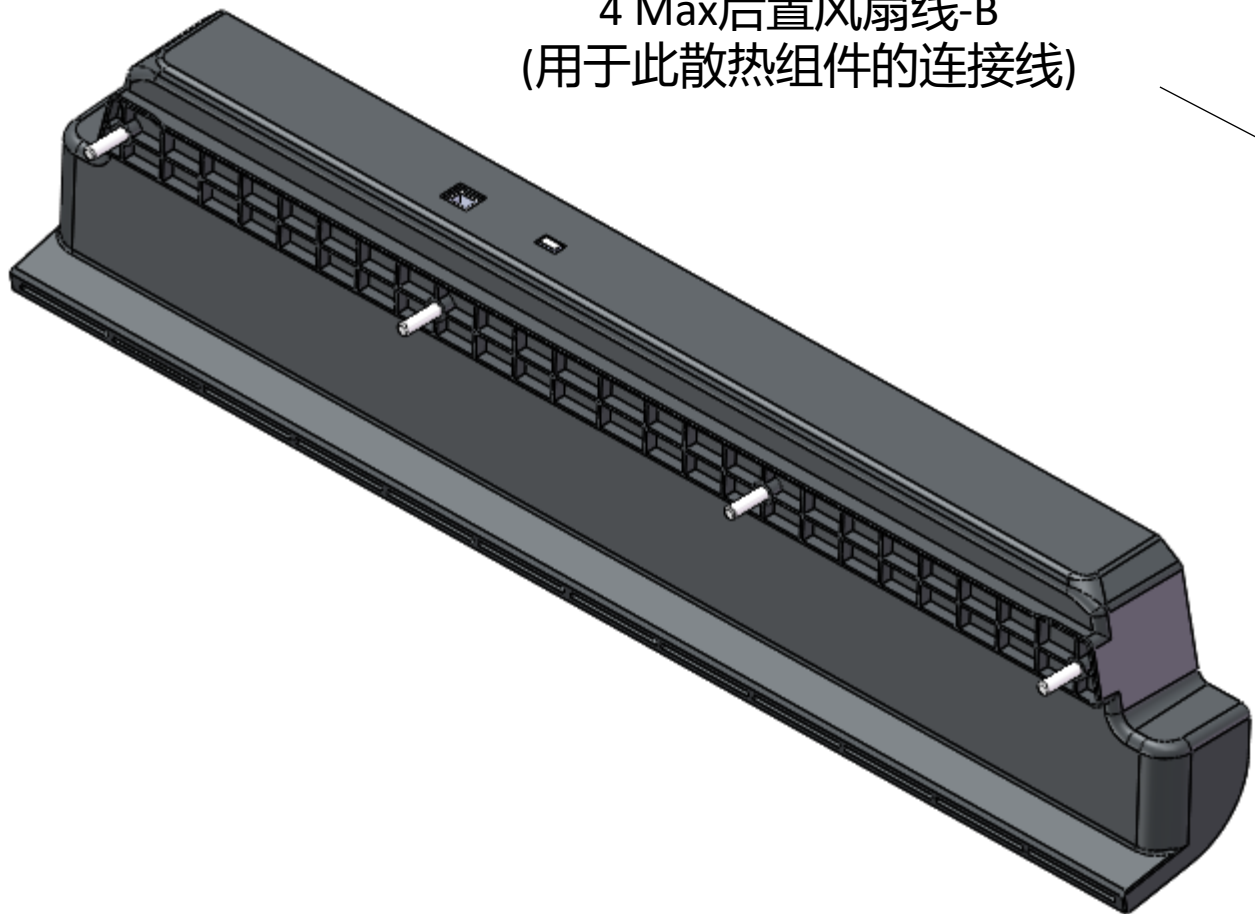
02.203.0049
铝棒拉杆
Aluminum Rod

09.204.0010
加大平垫 M5
M5 Washer Plus

09.202.0020
内六角半圆头螺钉 M4*20
M4 x 20 Hex Socket Screws, Half Round



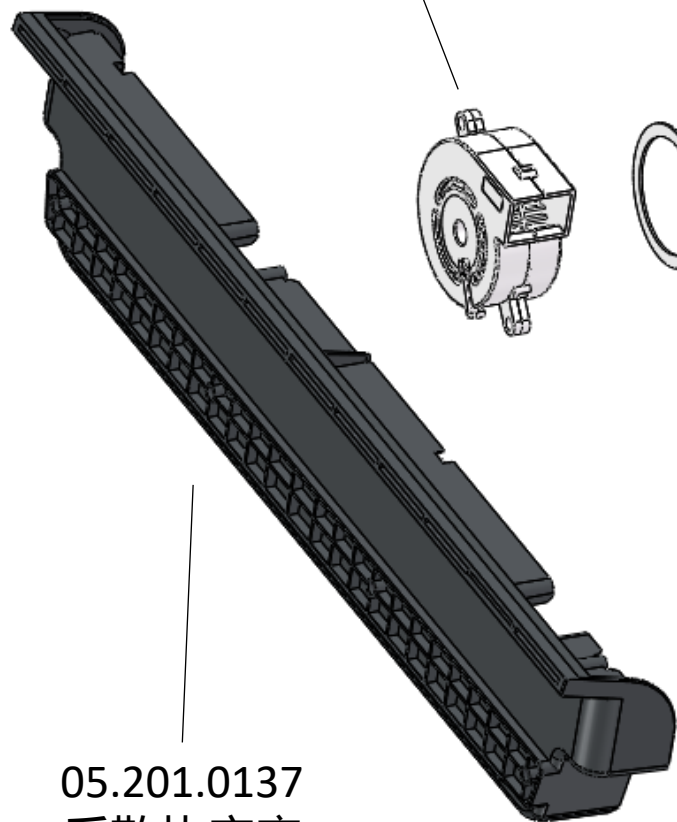
10.202.0124B
4 Max后置风扇线-B
(用于此散热组件的连接线)



20.204.0142
后散热组件
Rear Heat Sissipation Assembly

09.206.0024
十字圆头带垫自攻螺钉/PWA 3*12
3*12 Cross Pan Head Tapping Screws with Washer
(固定风扇螺丝)

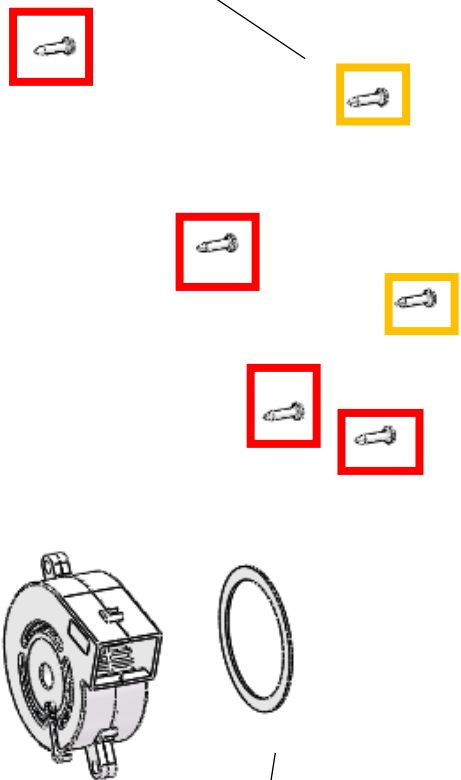
04.203.0019
6025鼓风风扇
6025 Blower Fan



05.201.0137
后散热底座
Rear Heat
Sissipation Base

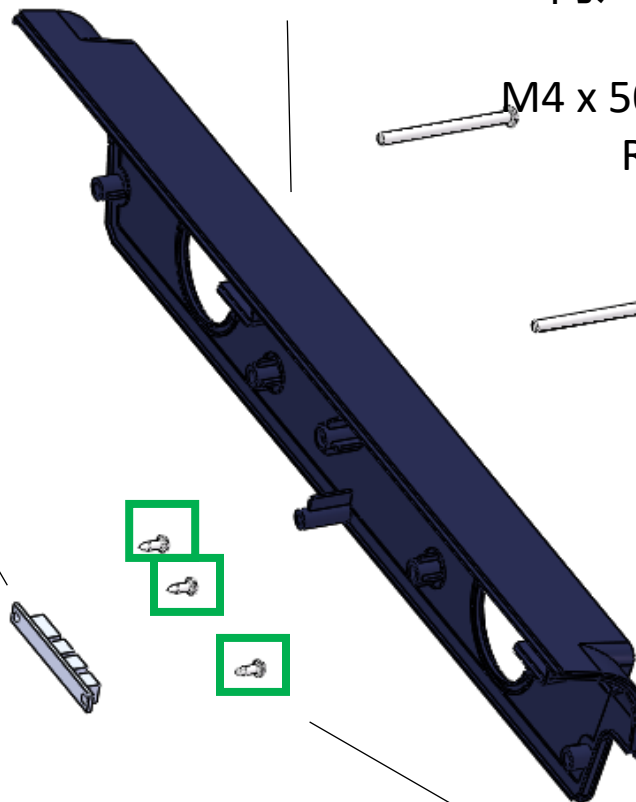
05.209.0029
泡棉垫圈
Foam Gasket

01.201.0033
风扇转接板
Fan Adapter Board



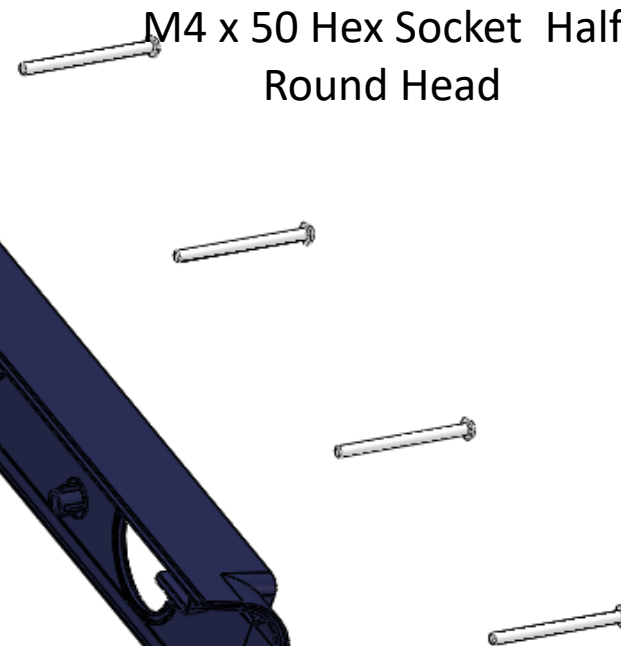
09.206.0002
十字盘头尖尾自攻螺钉/PA 3*12
3 x 12 Cross Pan Head Tapping Screws with Sharp End
(固定外壳螺丝)

05.201.0138
后散热外壳-Plus
Rear Heat Sissipation Housing-Plus

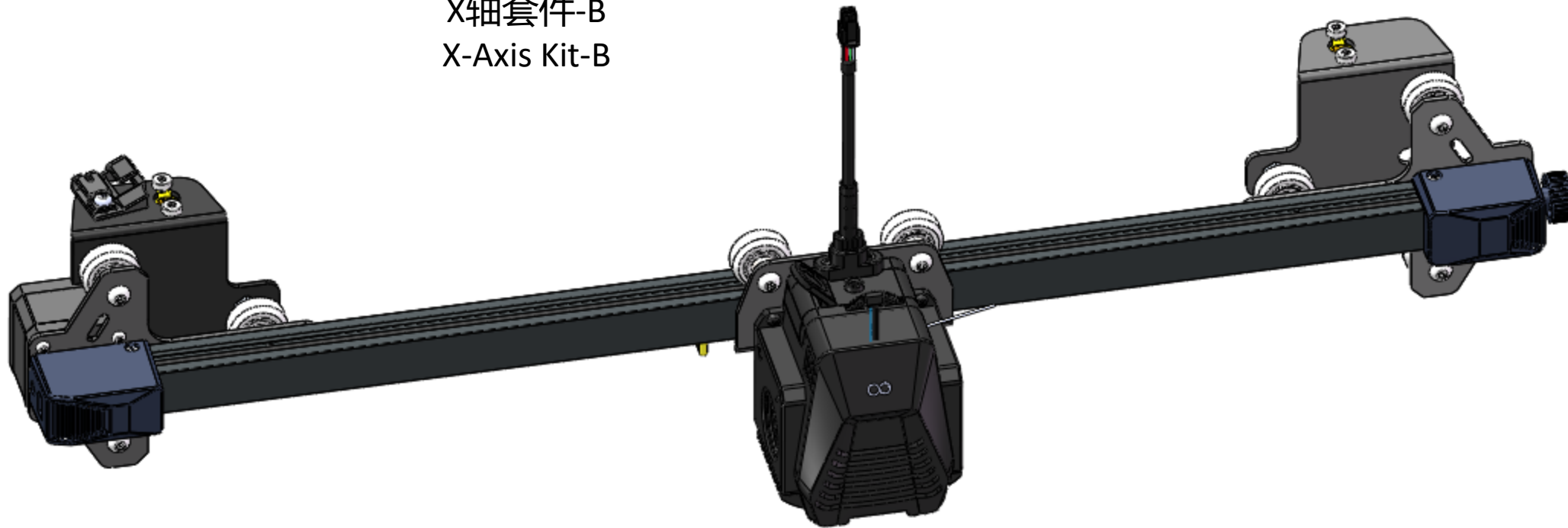


09.206.0003
十字盘头尖尾自攻螺钉/PA 3*8
3 x 8 Cross Pan Head Tapping Screws with Sharp End

09.202.0042
内六角半圆头螺钉
M4*50
M4 x 50 Hex Socket Half
Round Head



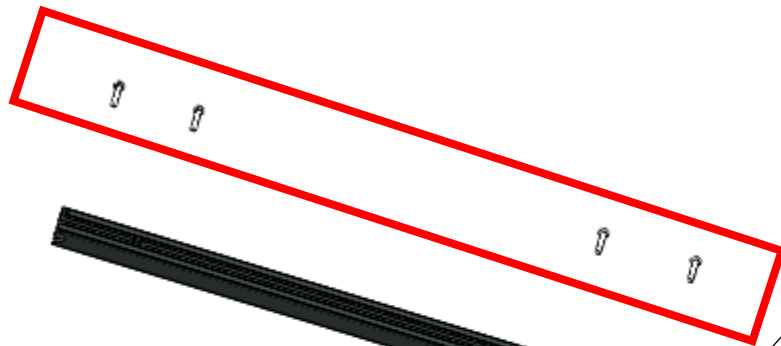
20.204.0141B
X轴套件-B
X-Axis Kit-B



20.205.0087B
X轴电机套件-B



09.207.0002
内六角平圆头弹垫组合螺钉 M4*18
M4 x 18 Hex Socket Screws with Washer, Half Round



02.203.0078B
4MAX 2020型材-X轴型材-B
2020Profile-X-Axis Profile

20.204.0058B
X轴被动轮套件-B
X-Axis Passive Pulley Kit-B



20.205.0085
X轴限位座组件
X-Axis Limit Base Kit



20.204.0062
X轴皮带调节器组件
X-Axis Belt Adjustment Assembly



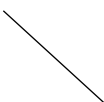
20.205.0092
挤出背板组件
Extruder Rear Plate Assembly



20.204.0110
Neptune 3 Max X轴同步带组件
X-Axis Timing Belt Assembly



20.205.0084B
挤出头套件-B
Extruder Kit-B





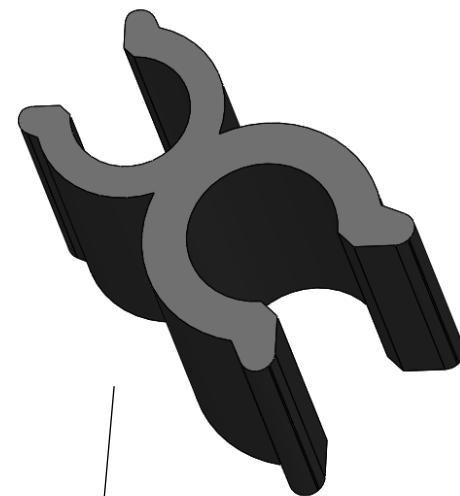
10.202.0240
N4挤出头线

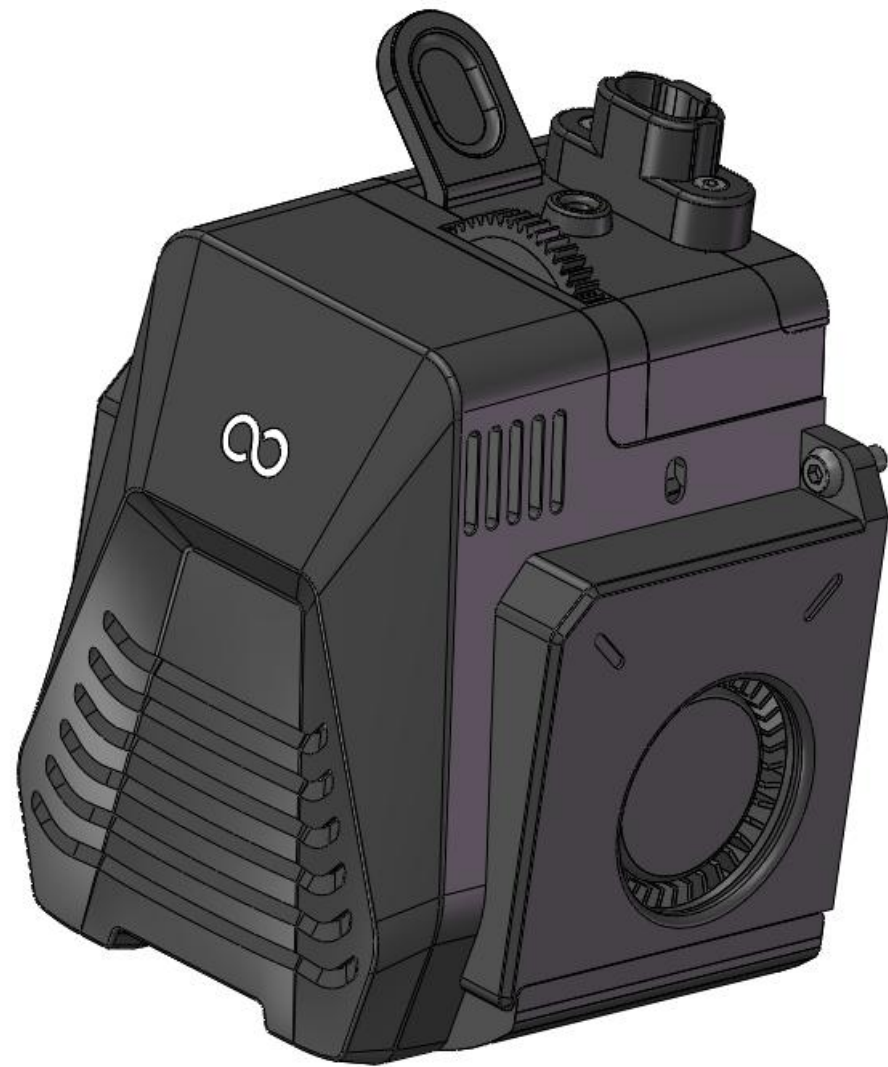


20.205.0084B
Neptune 4 Max 挤出头套件-B
Extruder Kit-B



05.201.0290B
卡环-B版本





20.205.0084B
Neptune 4 Max 挤出头套件-B
Extruder Kit-B

09.202.0012

内六角半圆头螺钉 M3*8

M3 x 8 Hex Socket Screws,

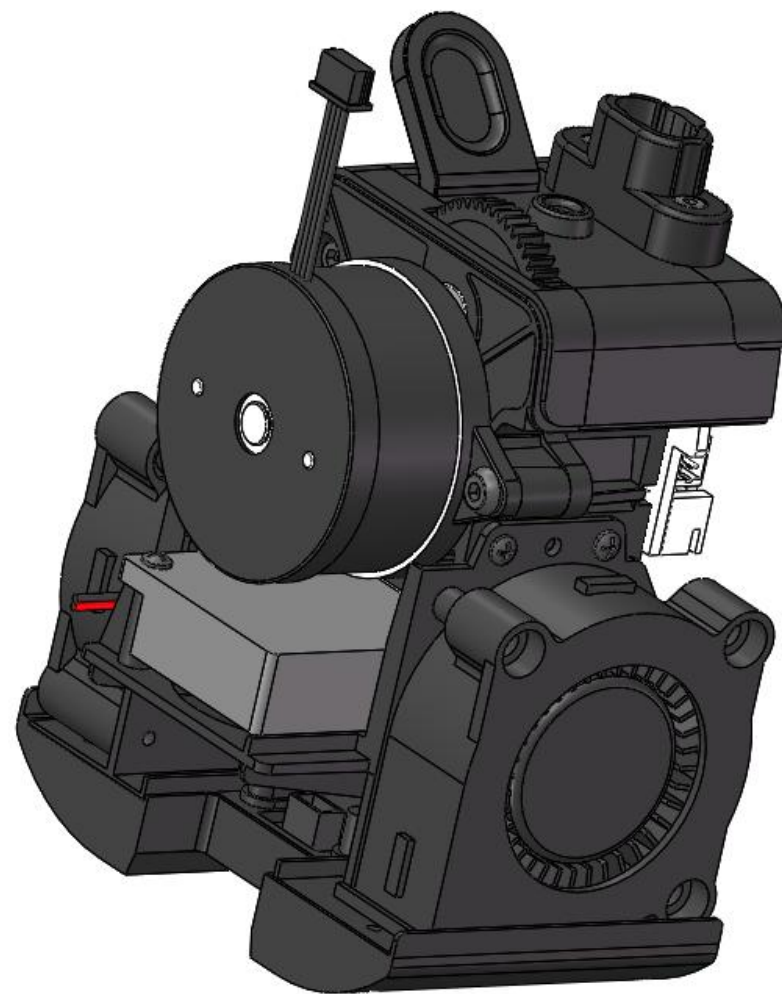
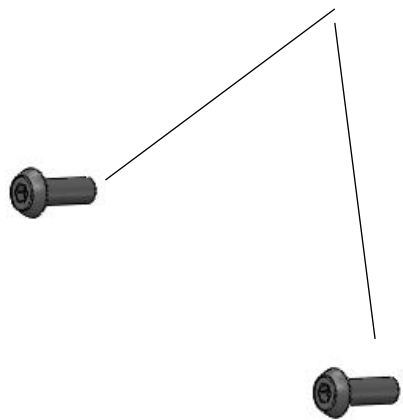
Half Round

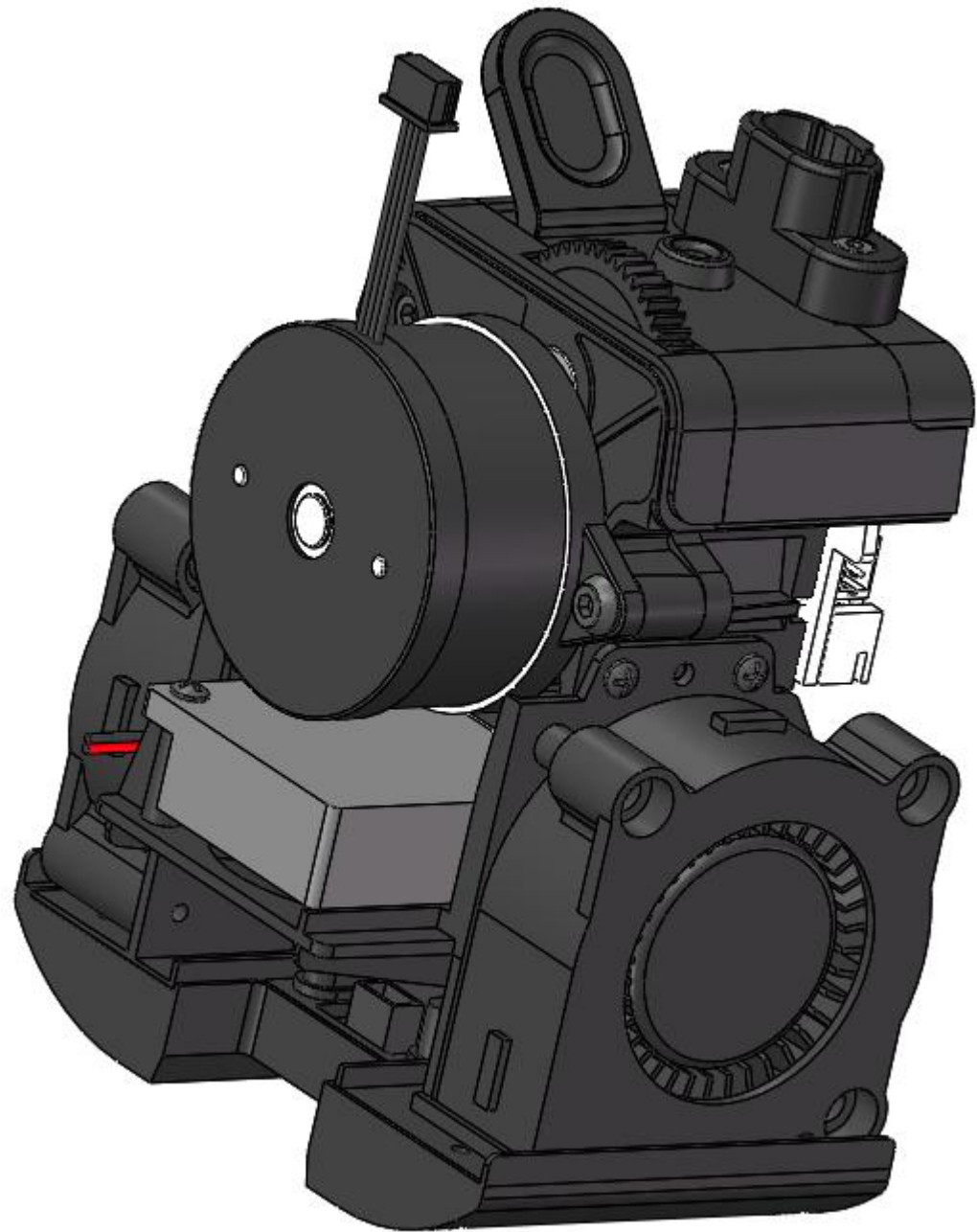
(固定挤出头外壳的螺丝)

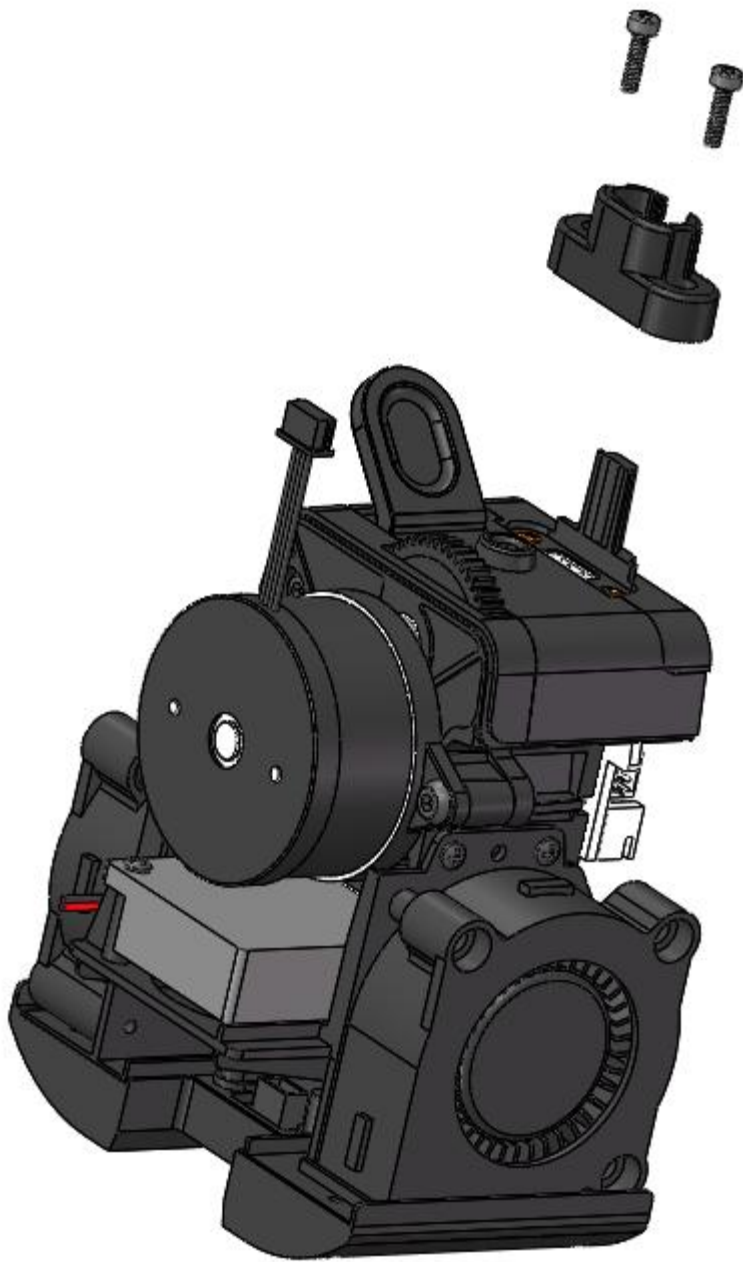
05.201.0102

挤出头外壳-NEP4

Extruder Housing-NEP4

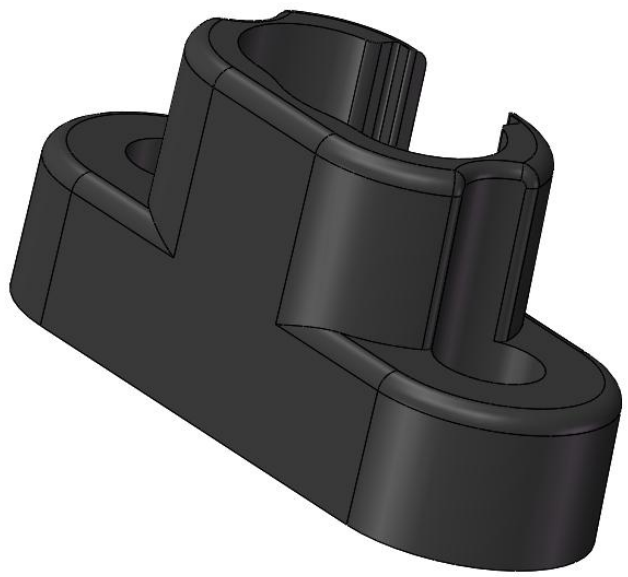


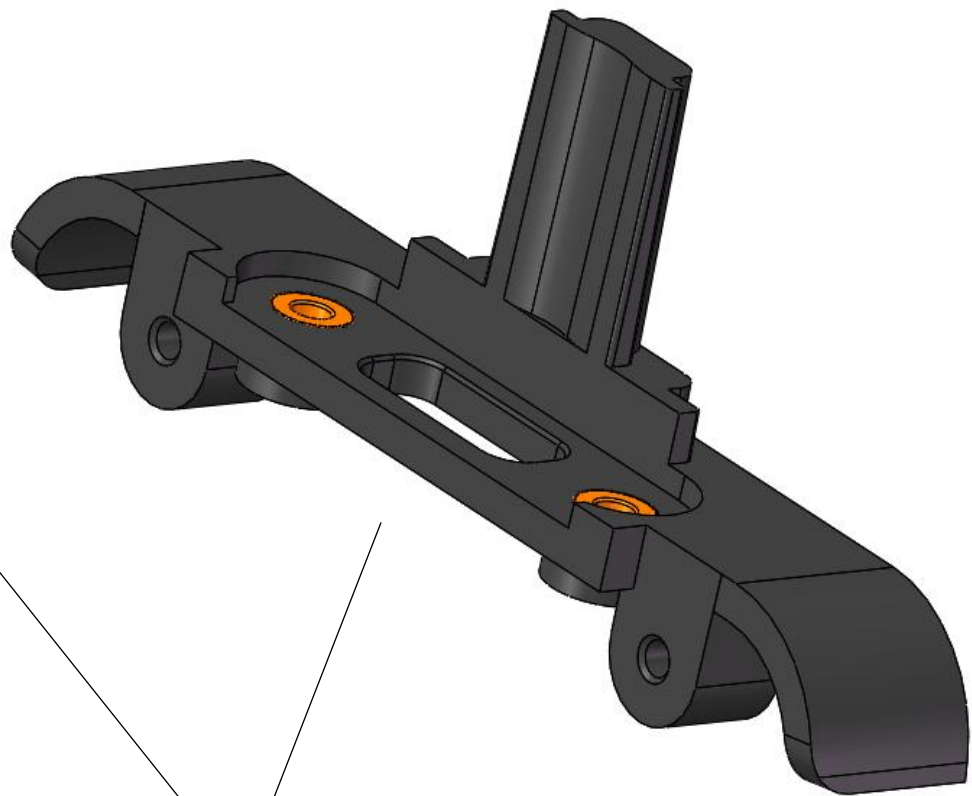
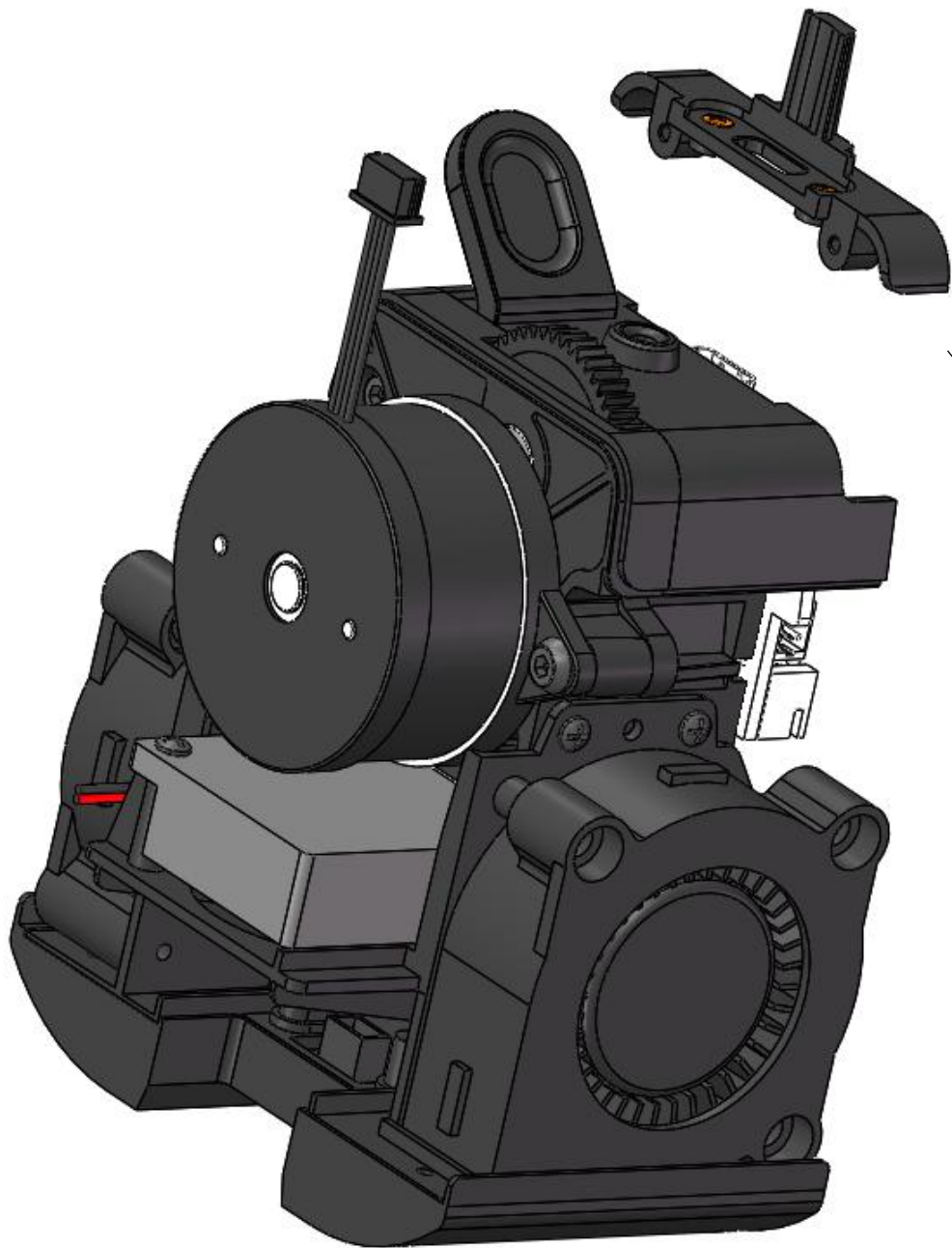




09.203.0037
内六角圆柱头螺钉 M2*8
(固定Type头固定件的螺丝)

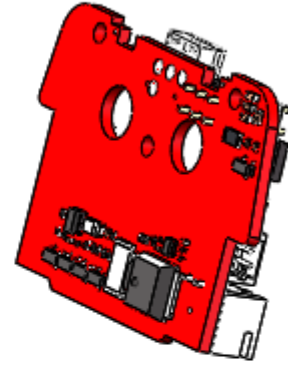
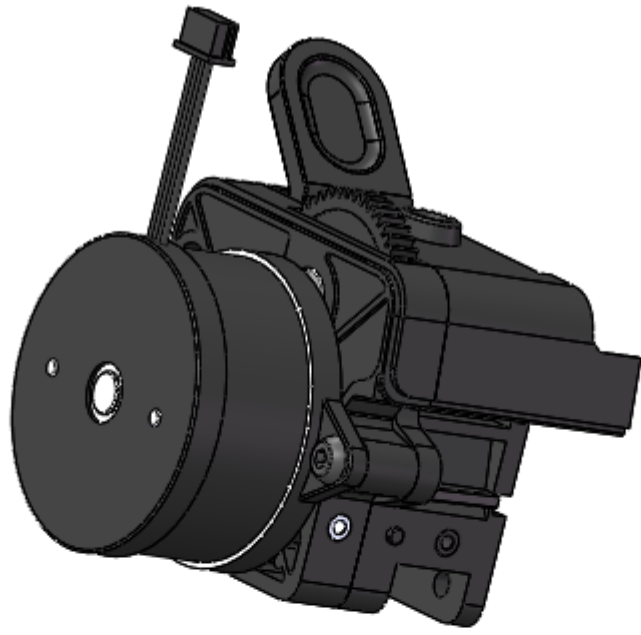
05.201.0260
Type头固定件



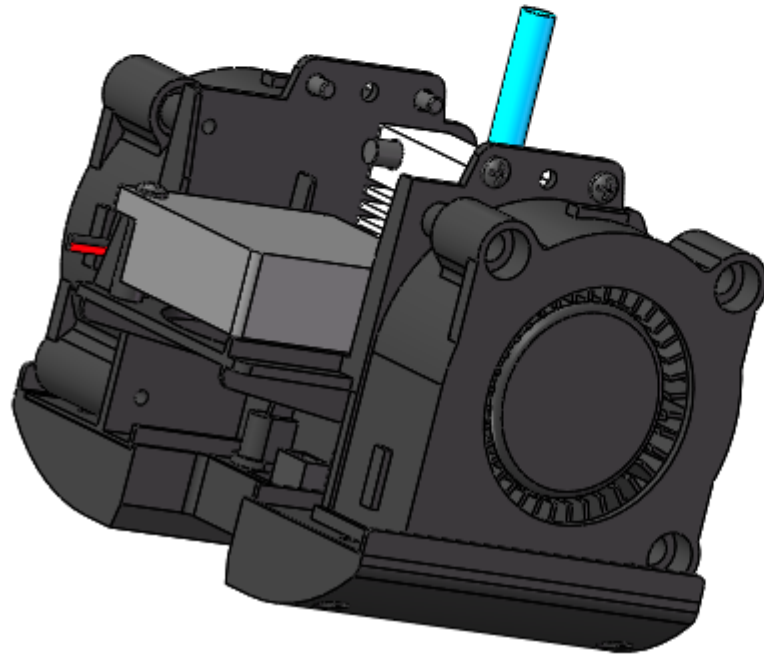


05.201.0259
C接口固定件

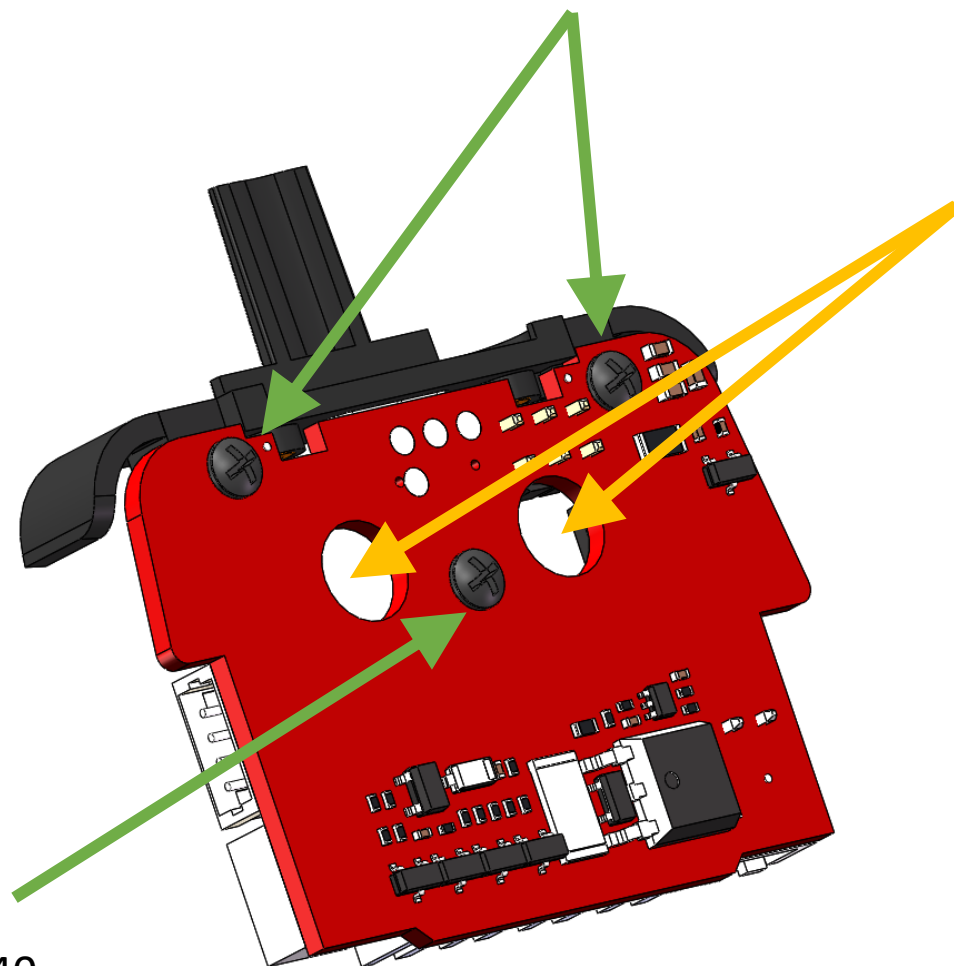
20.205.0073B
Neptune 4 齿轮箱套件-B
Gearbox Kit-B



01.201.0032B
挤出头转接板-B
Extruder Adapter-B



09.206.0040
十字圆头平尾自攻螺钉/PB 2*4



09.202.0040
十字半圆头螺钉 M2*4
Cross Pan Head Tapping Screws

N4 Pro需要先装平垫再装M3*16螺丝

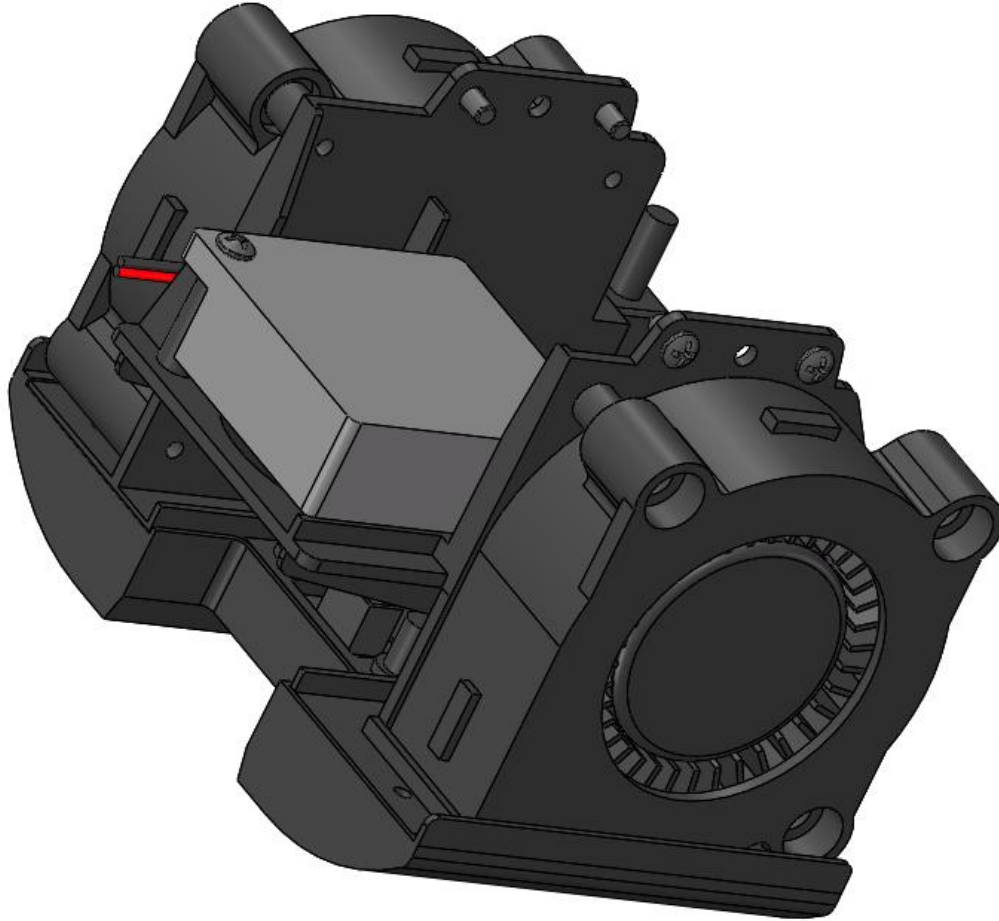
09.204.0021
平垫M3
(先安装垫片)

09.202.0002
内六角半圆头螺钉
M3*16
(再安装螺丝)

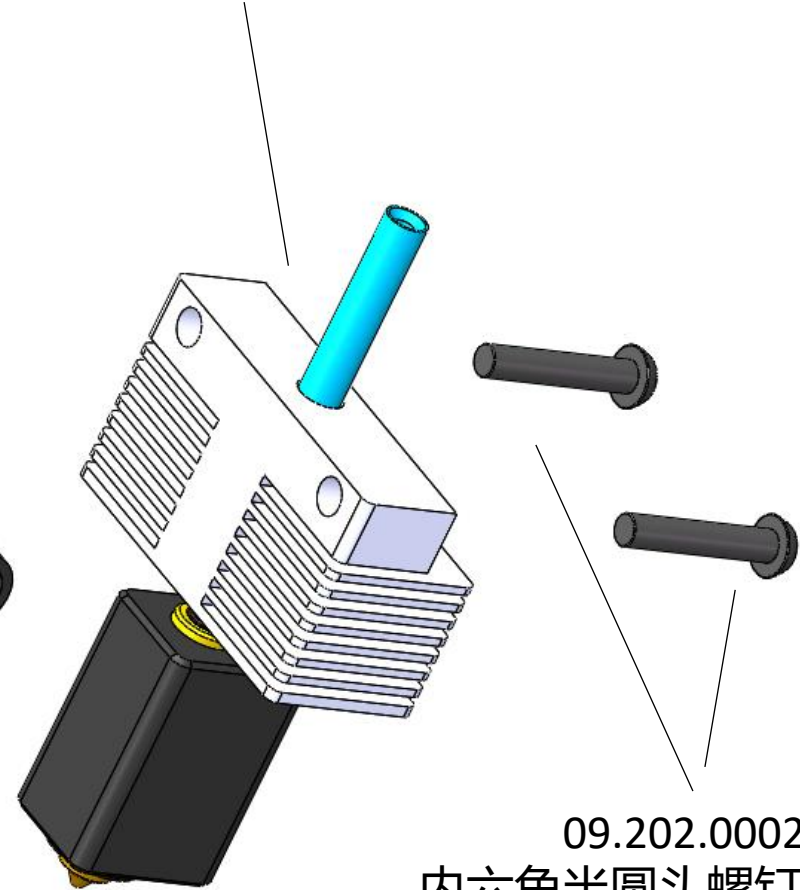
N4、N4 MAX、N4 PLUS
直接装M3*14螺丝

09.202.0072
内六角半圆头带弹
垫螺丝 M3*14

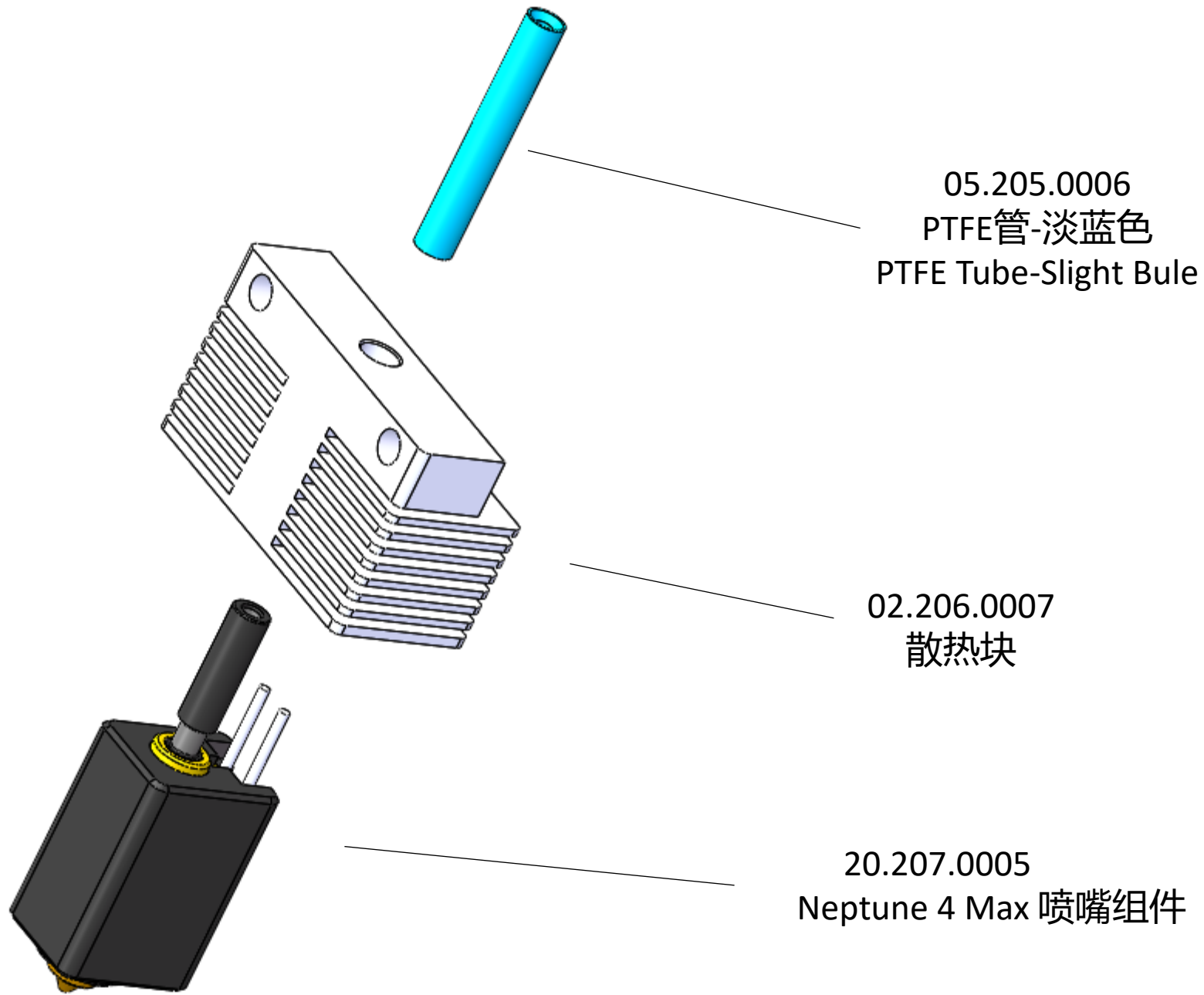
20.205.0074B
Neptune 4 挤出风扇组件-B
Extruder Fan Assembly



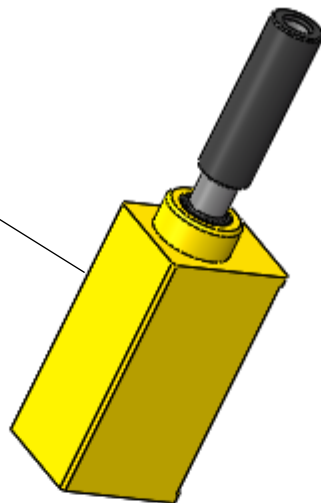
20.206.0032
Neptune 4 Max 喷嘴套件
Nozzle Kit



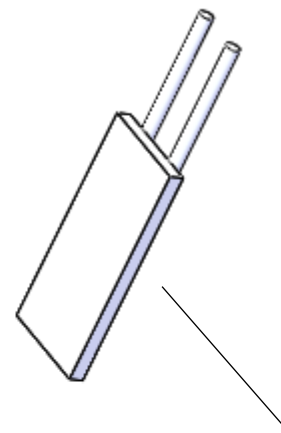
09.202.0002
内六角半圆头螺钉 M3*16
M3 x 16 Hex Socket Screws, Half Round



02.208.0005
喉管加热块组合件



04.208.0014
热敏电阻
Nozzle Thermistor



03.203.0008
加热片卡环



04.210.0013
陶瓷加热片

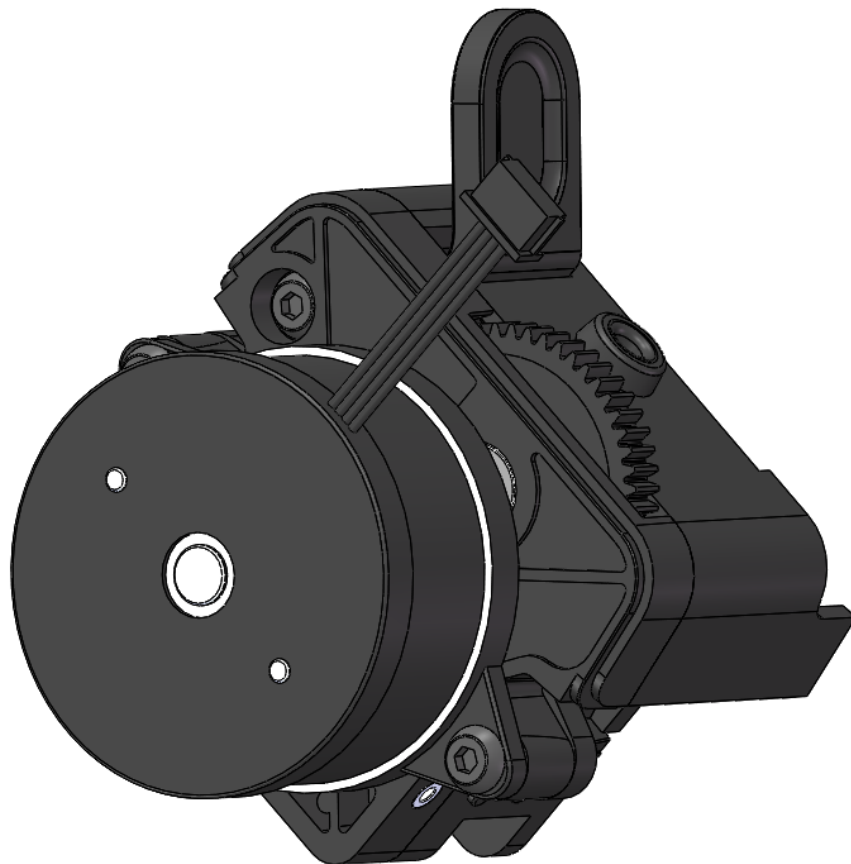


05.209.0027
热端保护套-NEP4MAX

09.213.0005
顶丝 M4*5
(用于固定喉管加热块组合件与散热块)

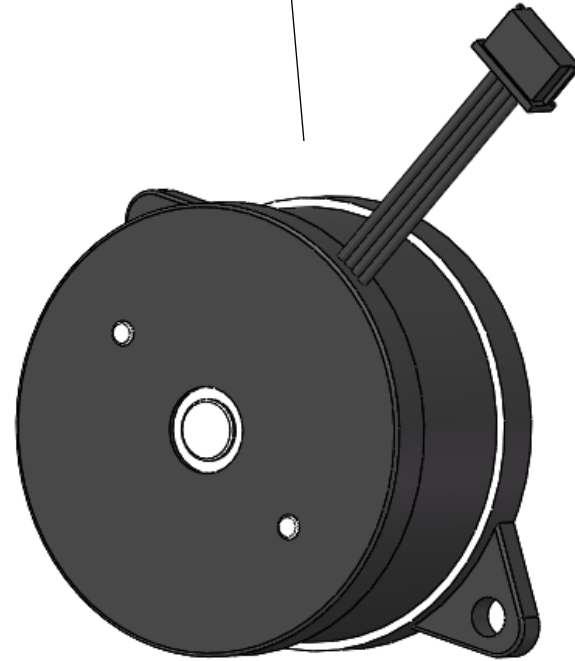
02.207.0010
高速喷嘴
Nozzle



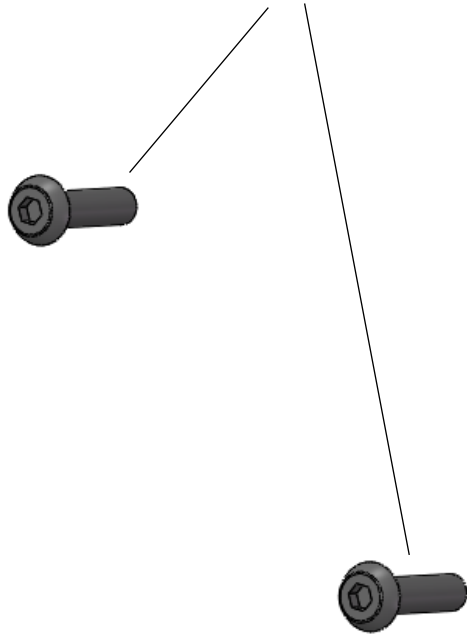


20.205.0073B
Neptune 4 齿轮箱套件-B
Gearbox Kit-B

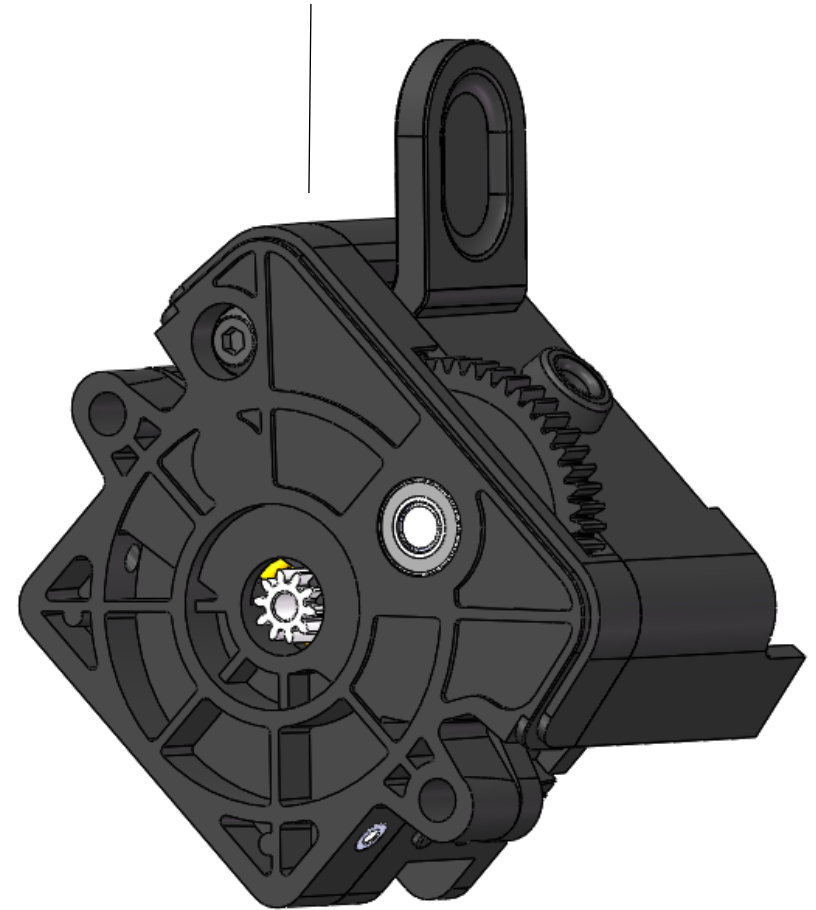
08.201.0011
36圆形步进电机
36 Round Stepper Motor



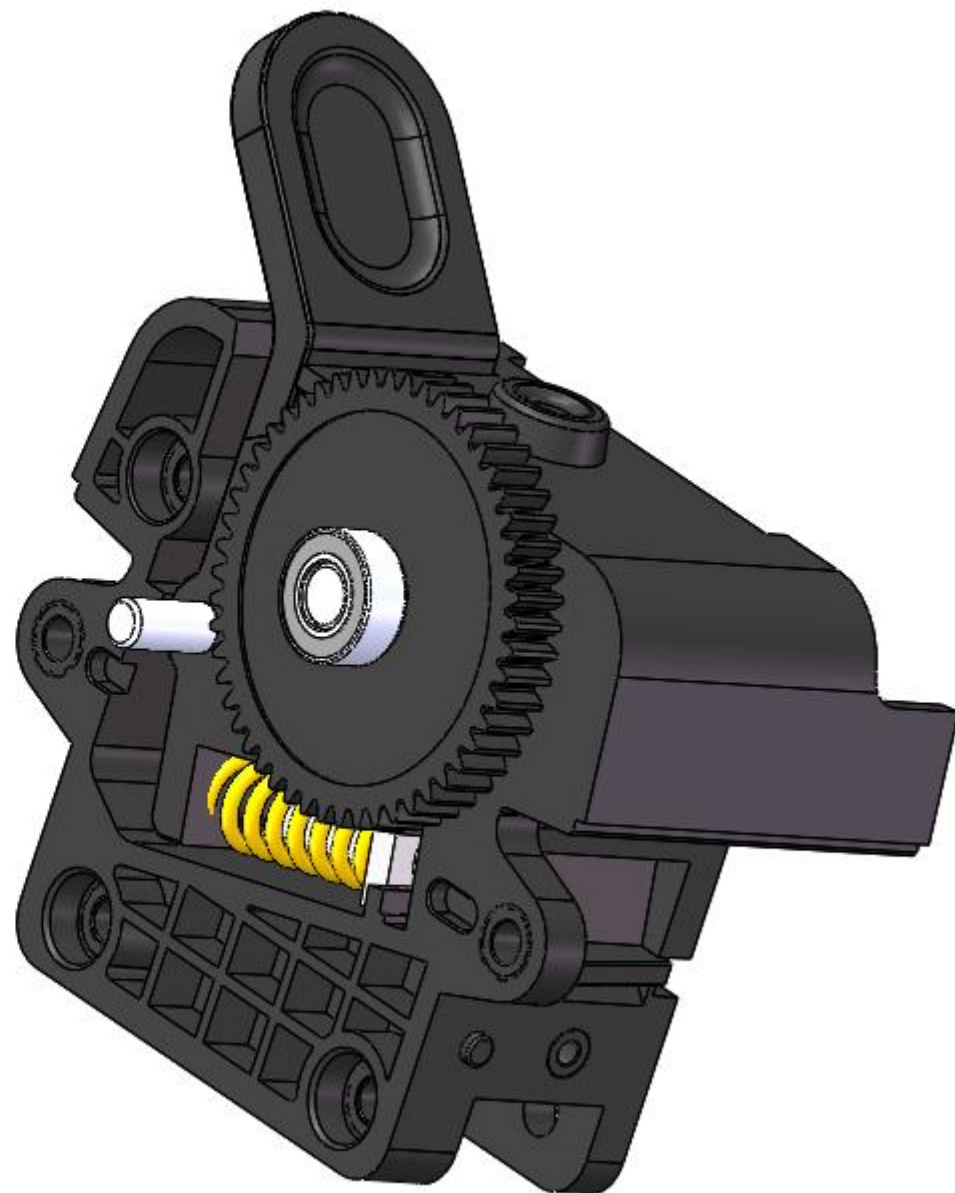
09.202.0009
内六角半圆头螺钉 M3*12
M3 x 12 Hex Socket Screws, Half Round



20.206.0043B
Neptune 4 齿轮箱组件-B



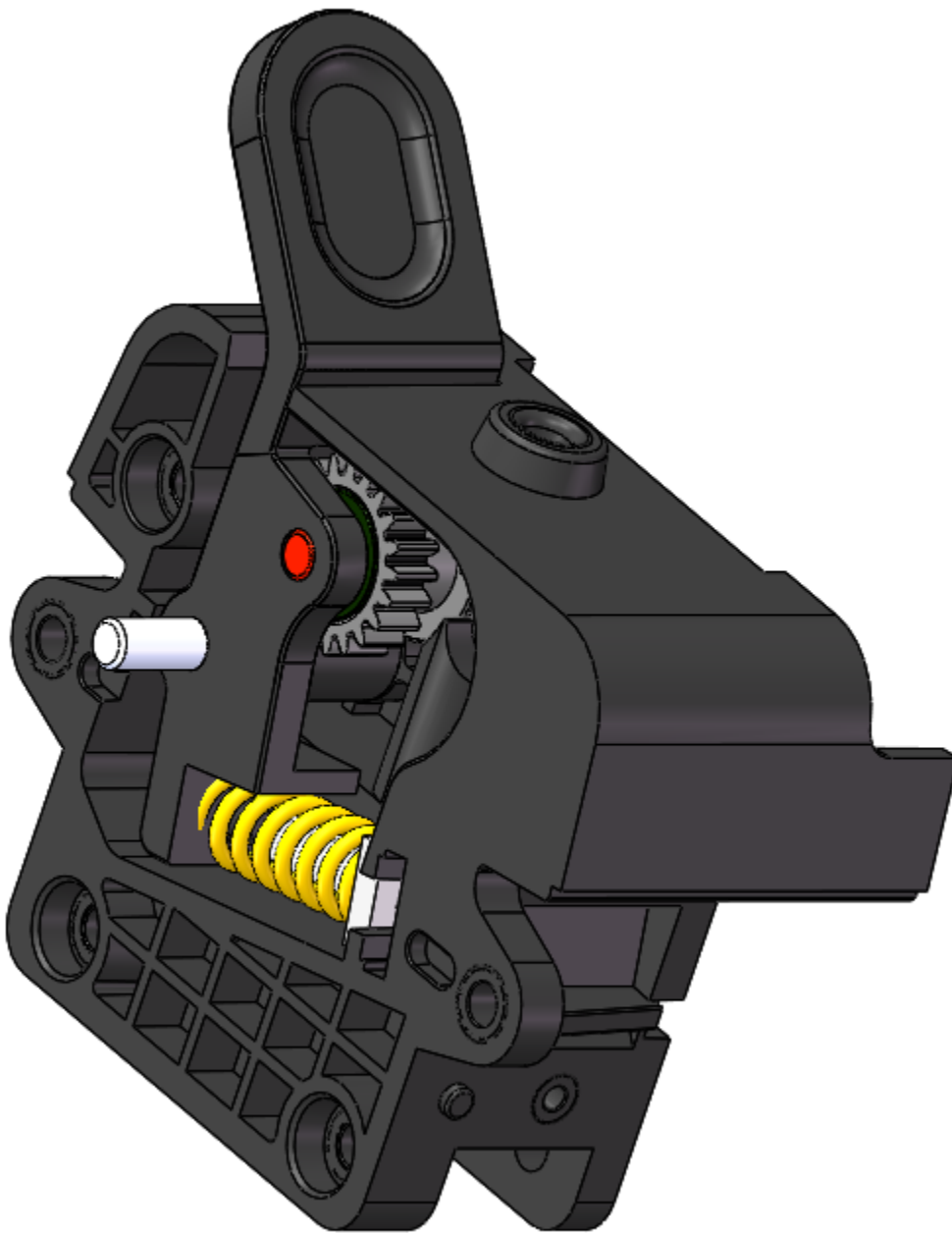
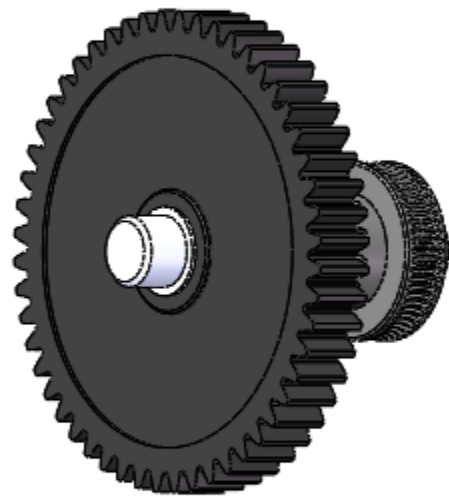
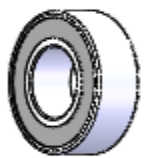
05.201.0106
齿轮箱盖
Gearbox Cover

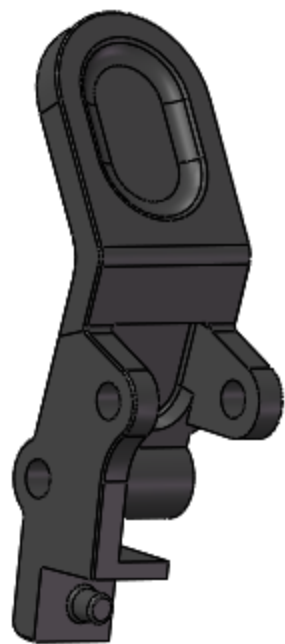


09.202.0009
内六角半圆头螺钉 M3*12
M3 x 12 Hex Socket Screws,
Half Round

02.204.0008
减速组合齿轮
Gear Reduction combination

06.201.0015
MR84zz轴承
MR84zz Bearing





05.201.0107
挤出夹
Extruder

02.204.0009
挤出组合齿轮
Extruder Gear



06.211.0002
φ3x15销钉轴
φ3-15 Pin Roll

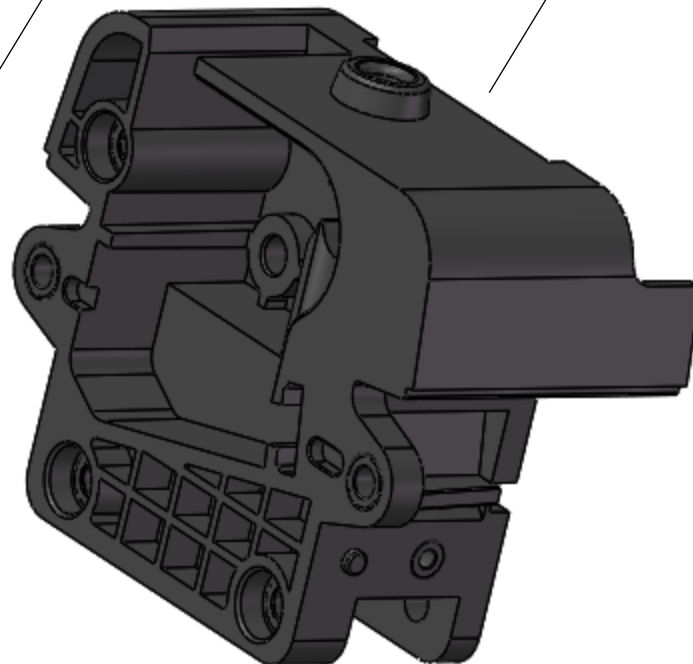


06.211.0003
φ3x24销钉轴
φ3-24 Pin Roll

06.201.0015
MR84zz轴承



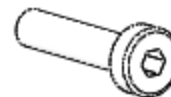
05.201.0105B
齿轮箱底座-B



09.205.0011
方形螺母M3
M3 Square Nut

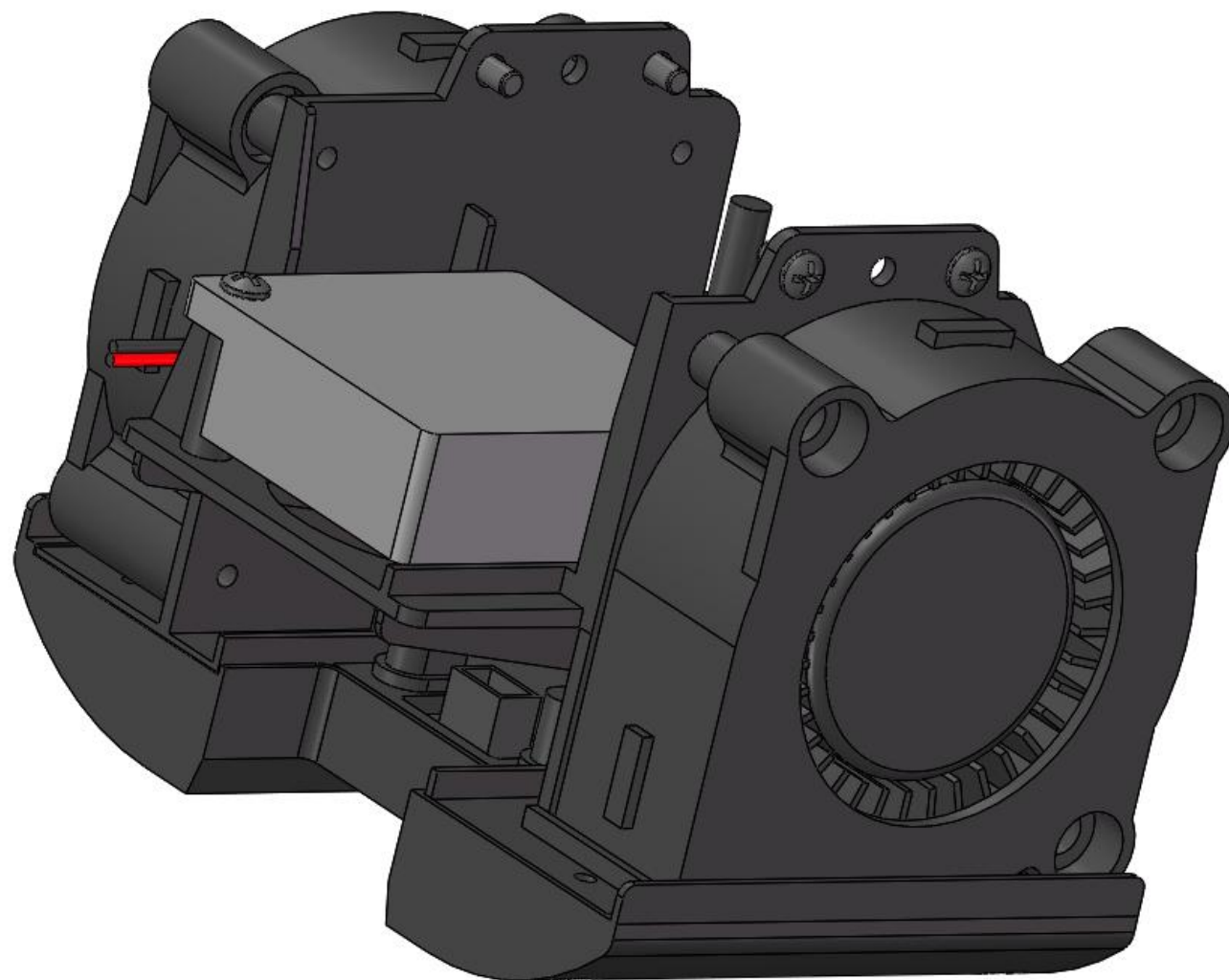


09.203.0020
薄头内六角圆柱头螺钉 M3*14
M3 x 14 Hex Socket Domed Head
Screws - Thin Type



06.204.0013
压缩弹簧D6x19.5
D6x19.5 Compression spring





20.205.0074B

Neptune 4 挤出风扇组件-B

Ectruder Fan Assembly-B

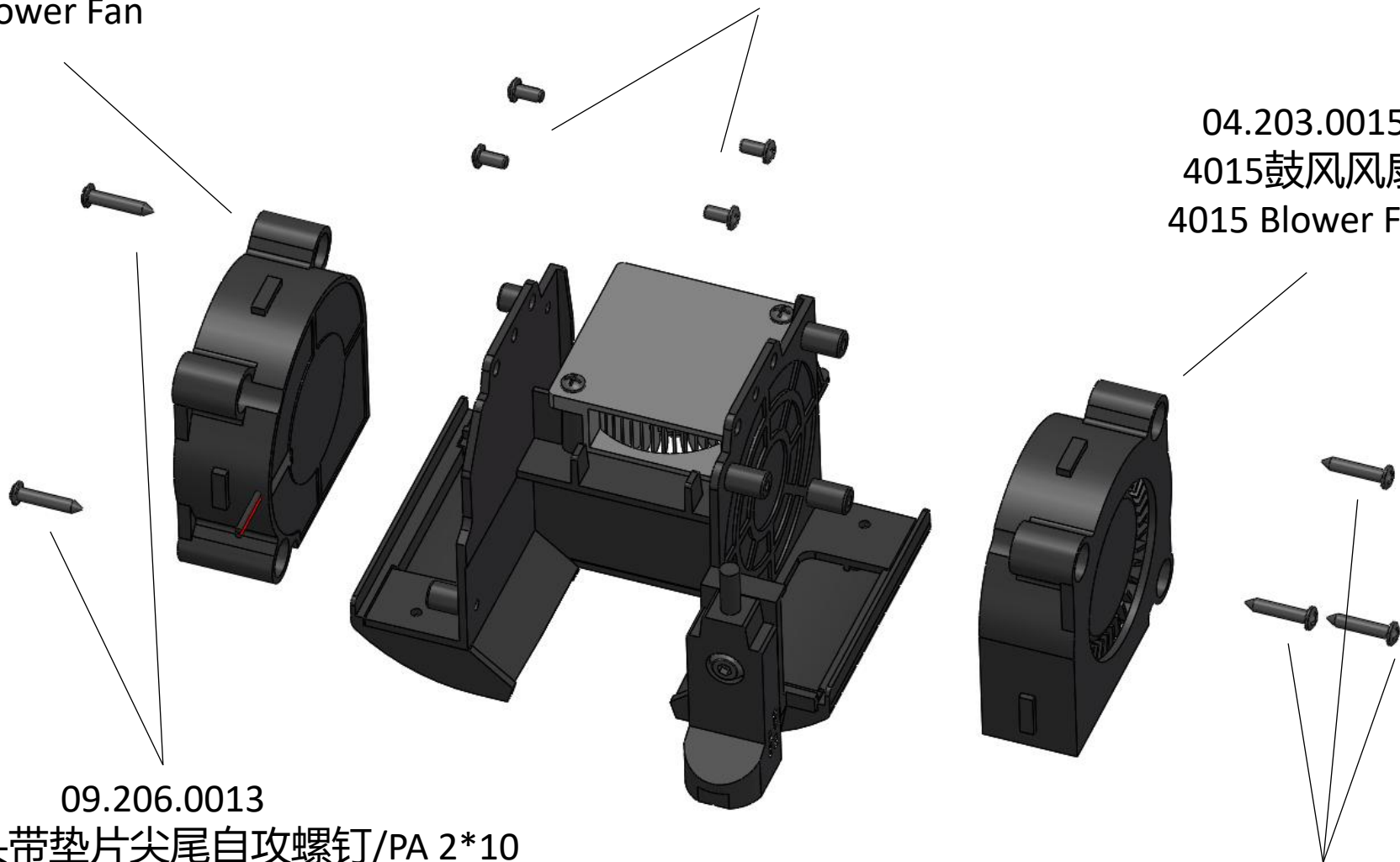
04.203.0015
4015鼓风风扇
4015 Blower Fan

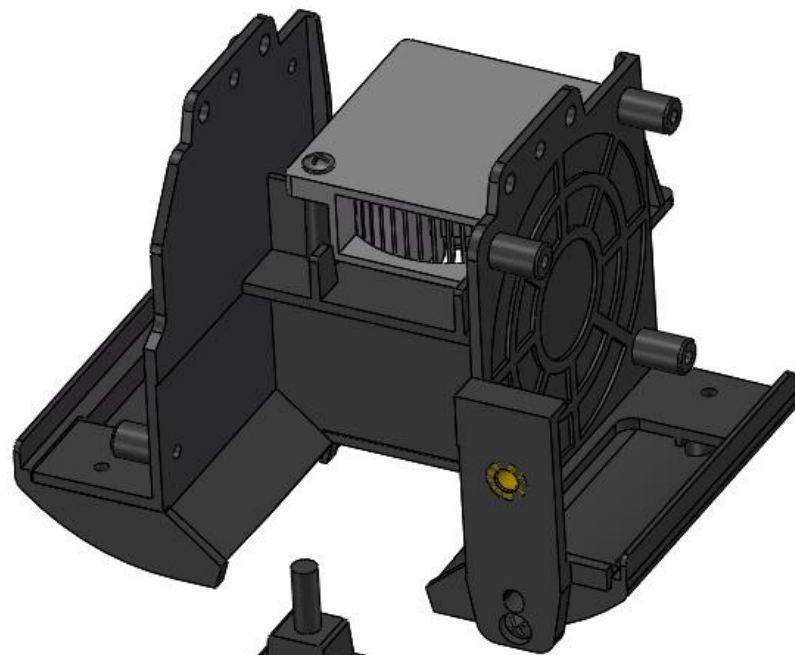
09.202.0040
十字半圆头螺钉 M2*4

04.203.0015
4015鼓风风扇
4015 Blower Fan

09.206.0013
十字半圆头带垫片尖尾自攻螺钉/PA 2*10
(固定4015风扇的螺丝)
Half Round Tapping Screws with Washer

09.206.0013
十字半圆头带垫片尖尾自攻螺钉/PA 2*10
(固定4015风扇的螺丝)





09.202.0012
内六角半圆头螺钉 M3*8
(固定接近开关的螺丝)
M3 x 8 Hex Socket Screws,
Half Round

04.202.0015
接近开关
proximity Switch

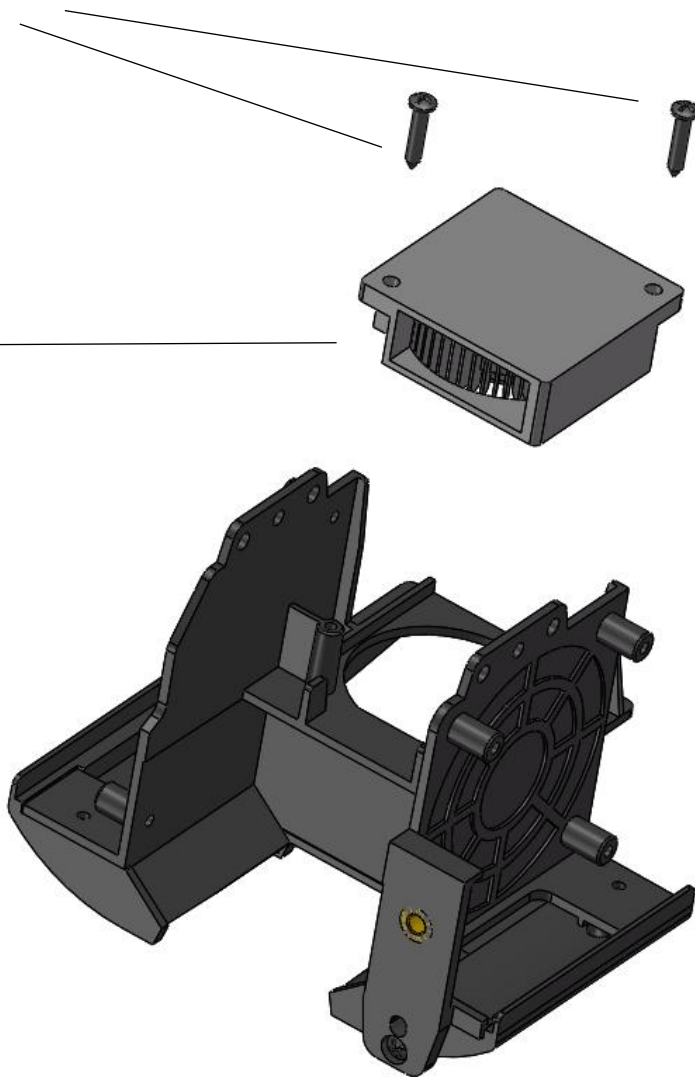
09.206.0017

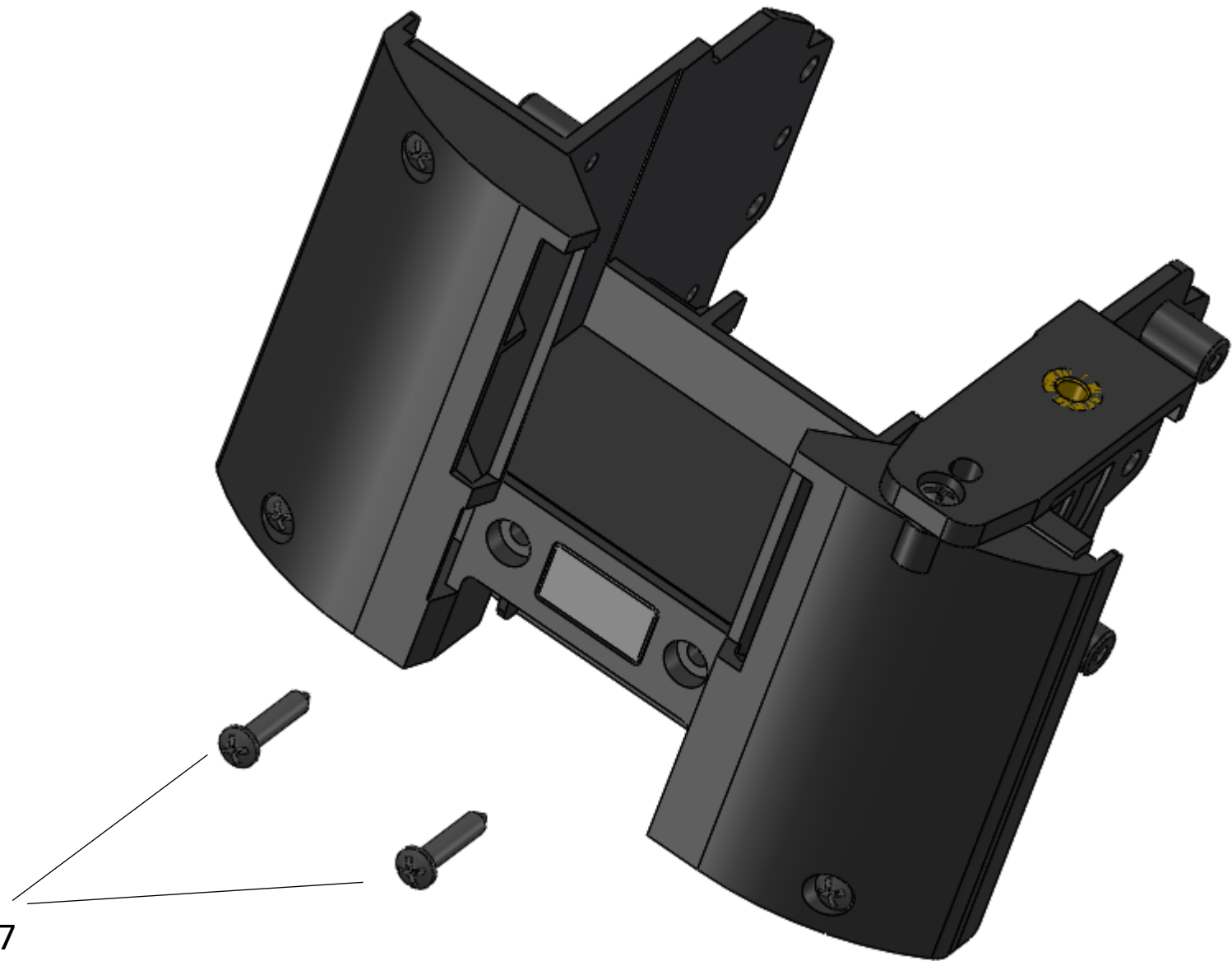
十字盘头尖尾自攻螺钉/PA 2*8

(固定3010散热风扇的螺丝)

2 x 8 Cross Pan Head Tapping Screws

04.203.0014
3010鼓风风扇
3010 Blower Fan





09.206.0017

十字盘头尖尾自攻螺钉/PA 2*8

(固定灯罩的螺丝)

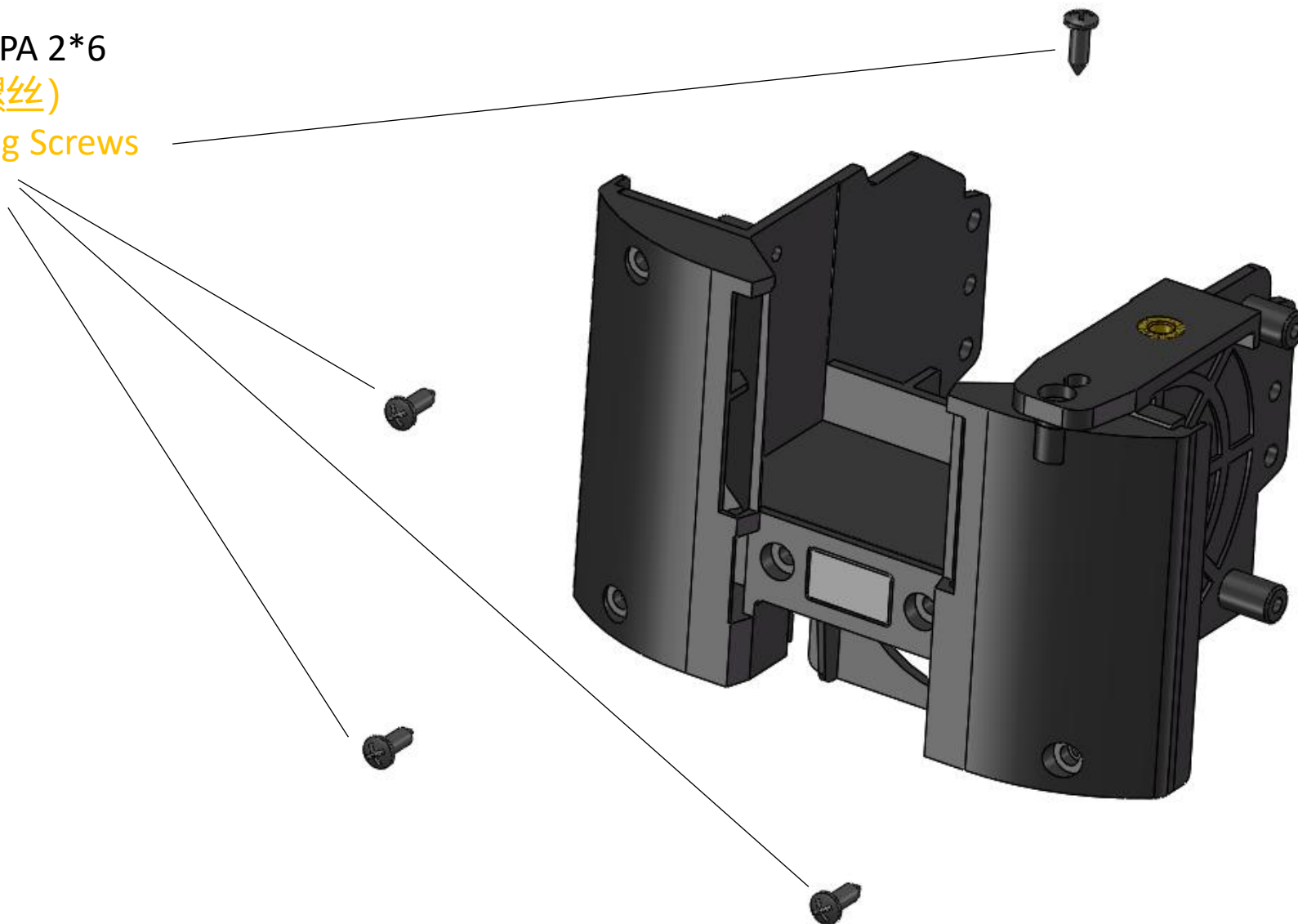
2 x 8 Cross Pan Head Tapping Screws

09.206.0010

十字盘头尖尾自攻螺钉/PA 2*6

(用于固定导风件的螺丝)

2 x 6 Cross Pan Head Tapping Screws



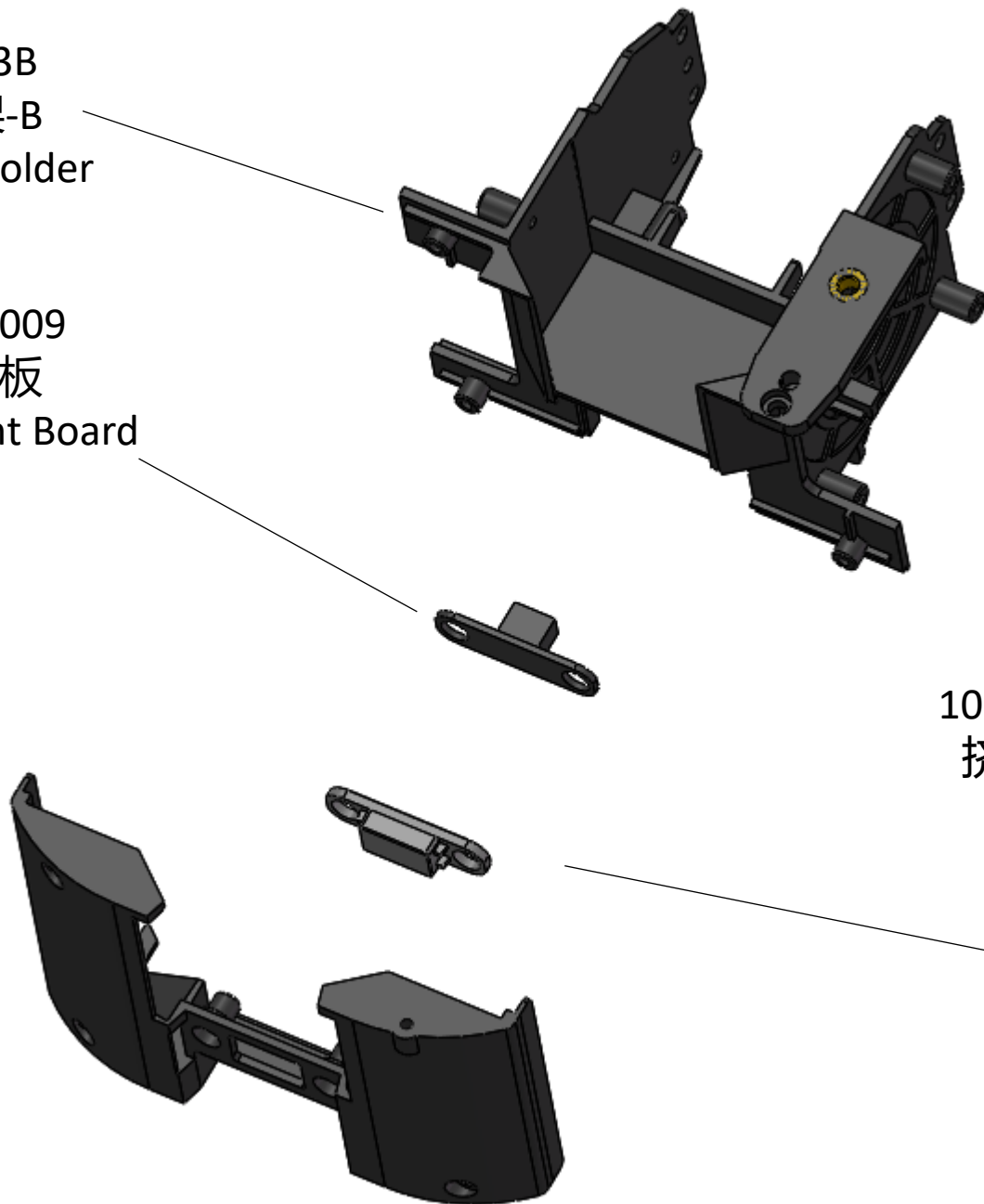
05.201.0103B
挤出风扇架-B
Extruder Fan Holder

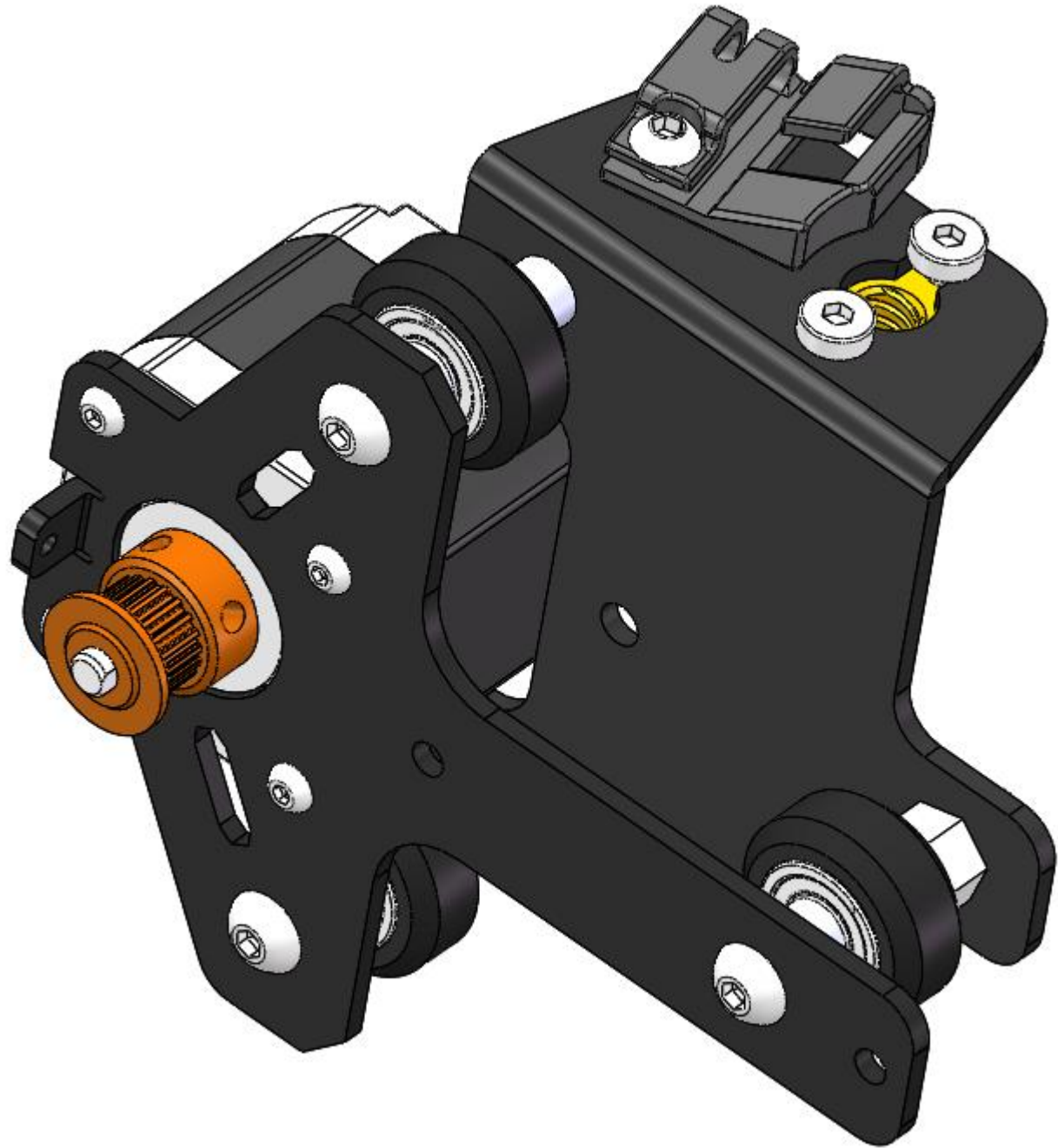
06.209.0009
挤出灯板
Extruder Light Board

05.201.0104
导风件
Wind Scooper

10.202.0097
挤出灯线

05.201.0108
挤出灯罩
Extruder Cobver

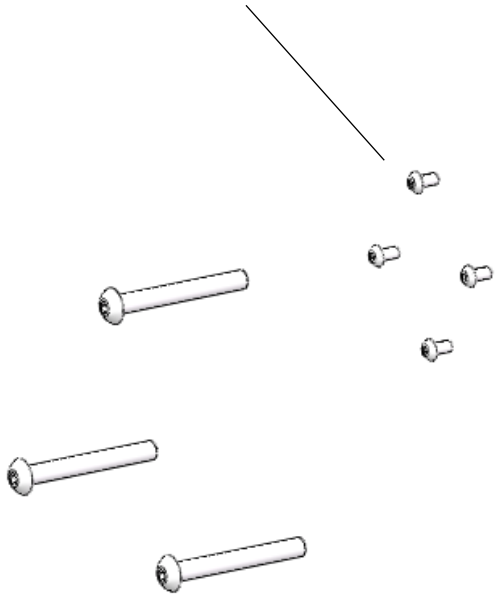




20.205.0087B
X轴电机套件-B
X-Axis Motor Kit-B

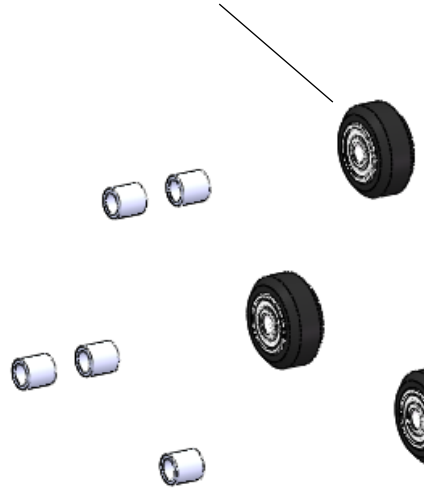
03.202.0019
x轴电机正面板
X-Axis Motor Front Panel

09.202.0001
内六角半圆头螺钉 M3*6
M3 x 6 Hex Socket Screws,
Half Round



09.202.0005
内六角半圆头螺钉 M5*40
M5 x 40 Hex Socket Screws, Half Round

20.206.0001
滑轮组件
Slider Pulley Assembly



02.209.0002
隔离柱
Spacer

09.204.0003
平垫 M5
Gasket M5

02.209.0001
偏心隔离柱
Eccentric Insulators

09.202.0018
内六角半圆头螺钉 M4*8
M4 x 8 Hex Socket Screws, Half Round

05.201.0116
线夹
Cable Clip

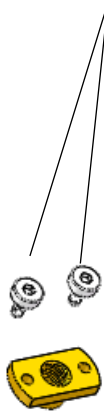


03.202.0048B
x轴电机背面板-B
X-Axis Motor Rear Panel-B

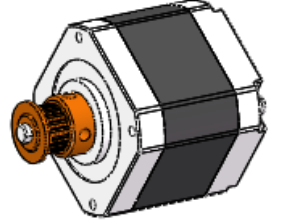
09.205.0001
自锁螺母 M5
Self-Hold Nut M5

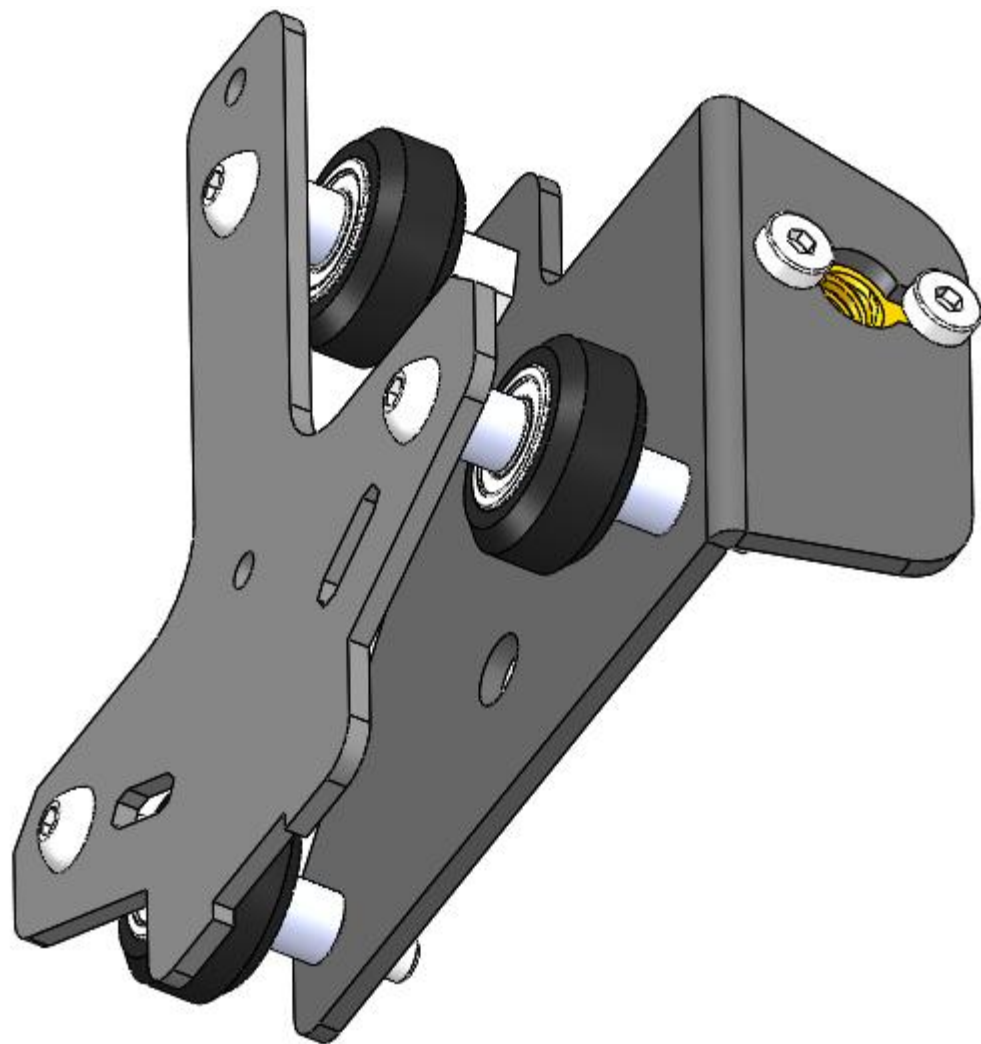
06.203.0006B
T型丝杆螺母-B
T-Shaped Lead Screw
Nut-B

09.203.0036
内六角圆柱头台阶螺钉 M3*7
M3 x 7 Hex Socket Screws



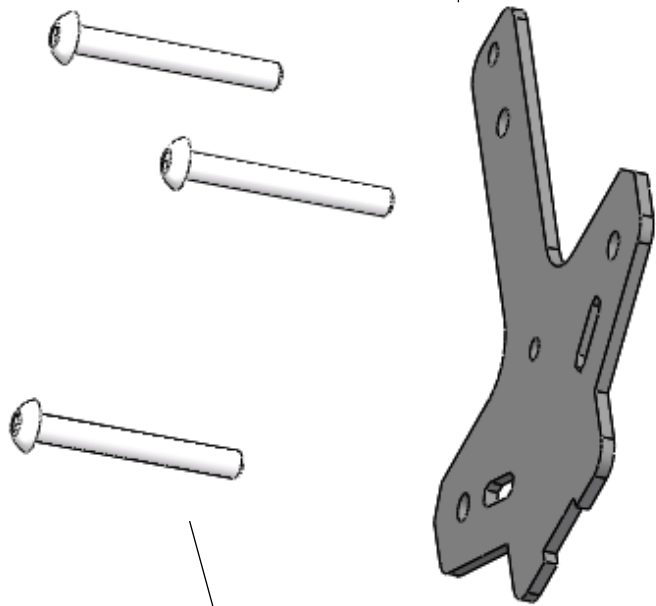
08.201.0021
42-40-L17.5黑色步进
电机
42-40-L17.5 Black
Stepper Motor





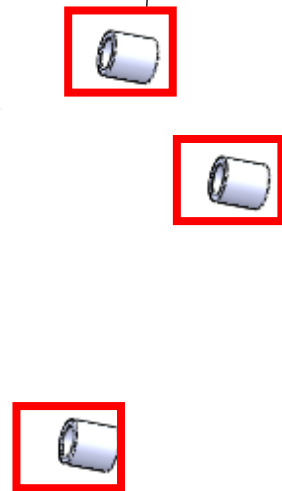
20.204.0058B
X轴被动轮套件-B
X-Axis Passive Pulley Kit-B

03.202.0021
x轴被动轮正面板



09.202.0005
内六角半圆头螺钉
M5*40
M5 x 40 Hex Socket
Screws, Half Round

02.209.0002
隔离柱
Spacer



20.206.0001
滑轮组件
Pulley Assembly

02.209.0001
偏心隔离柱
Eccentric Insulators



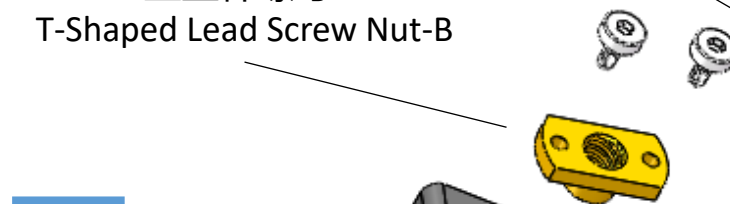
09.205.0001
自锁螺母 M5
Self-Hold Nut M5

09.204.0003
平垫 M5
Washer M5



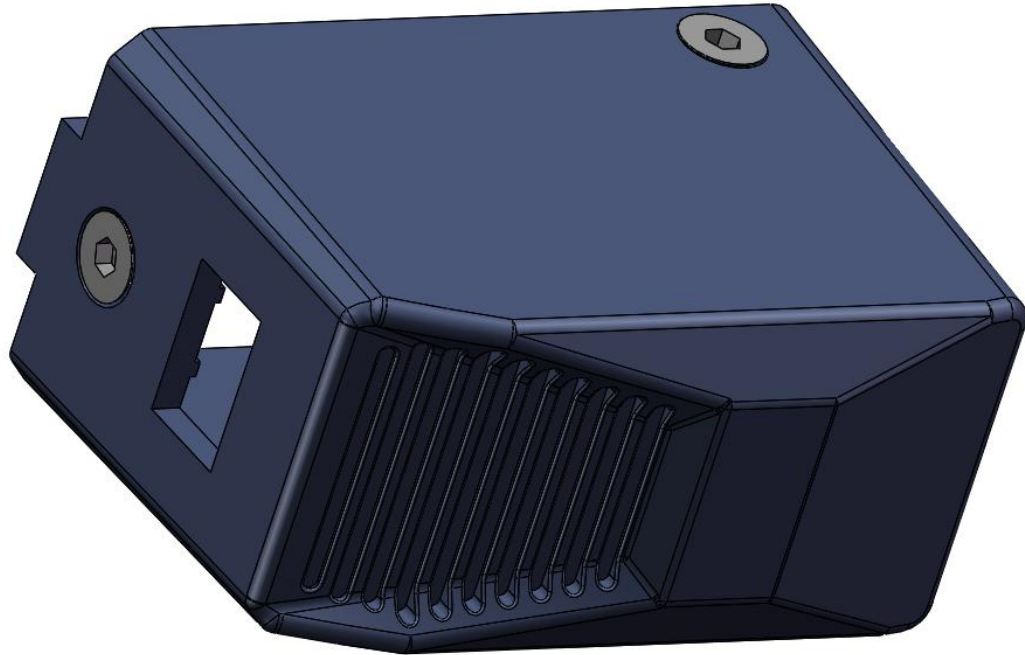
09.203.0036
内六角圆柱头台阶螺钉 M3x7
M3 x 7 Hex Socket Screws

06.203.0006B
T型丝杆螺母-B
T-Shaped Lead Screw Nut-B



03.202.0020B
x轴被动轮背面板-B
X-Axis Motor Rear Panel-B

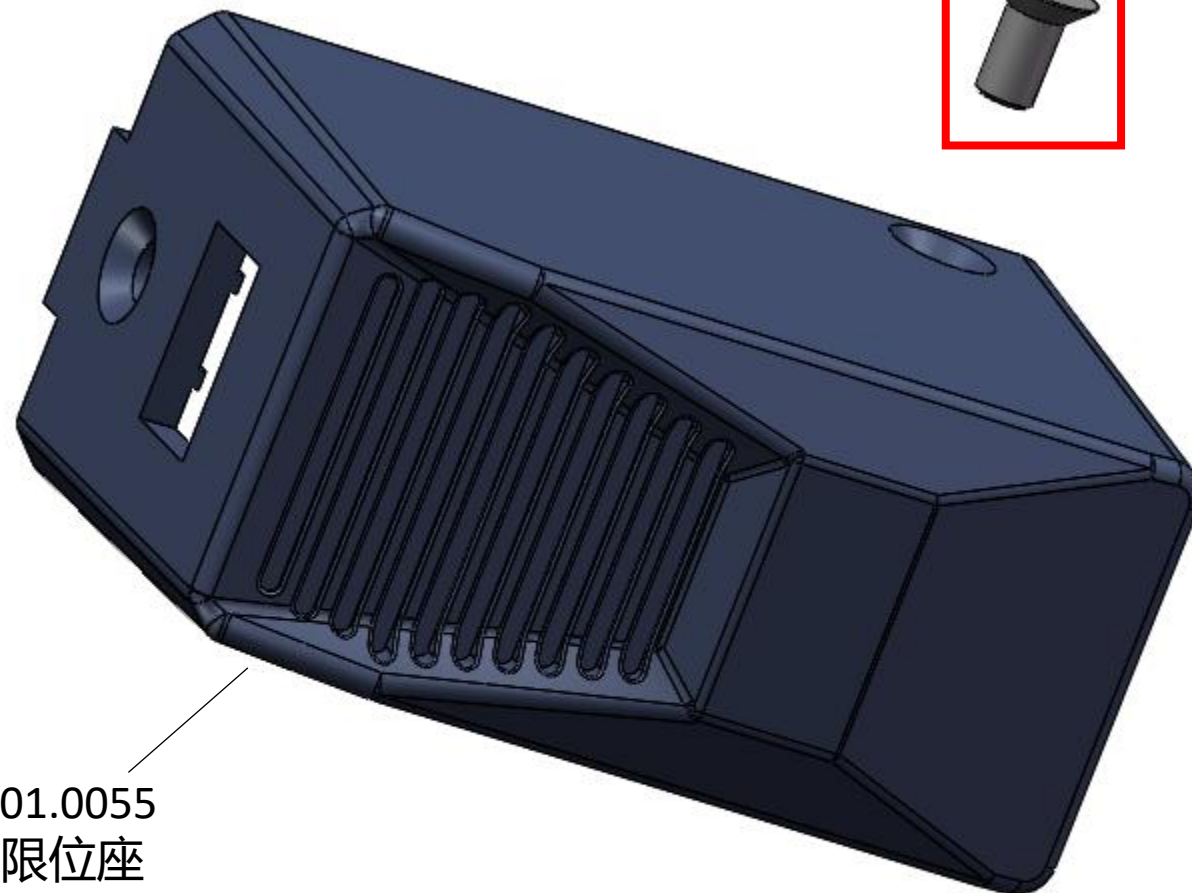




20.205.0085
x轴限位座组件
X-Axis Limit Base Assembly

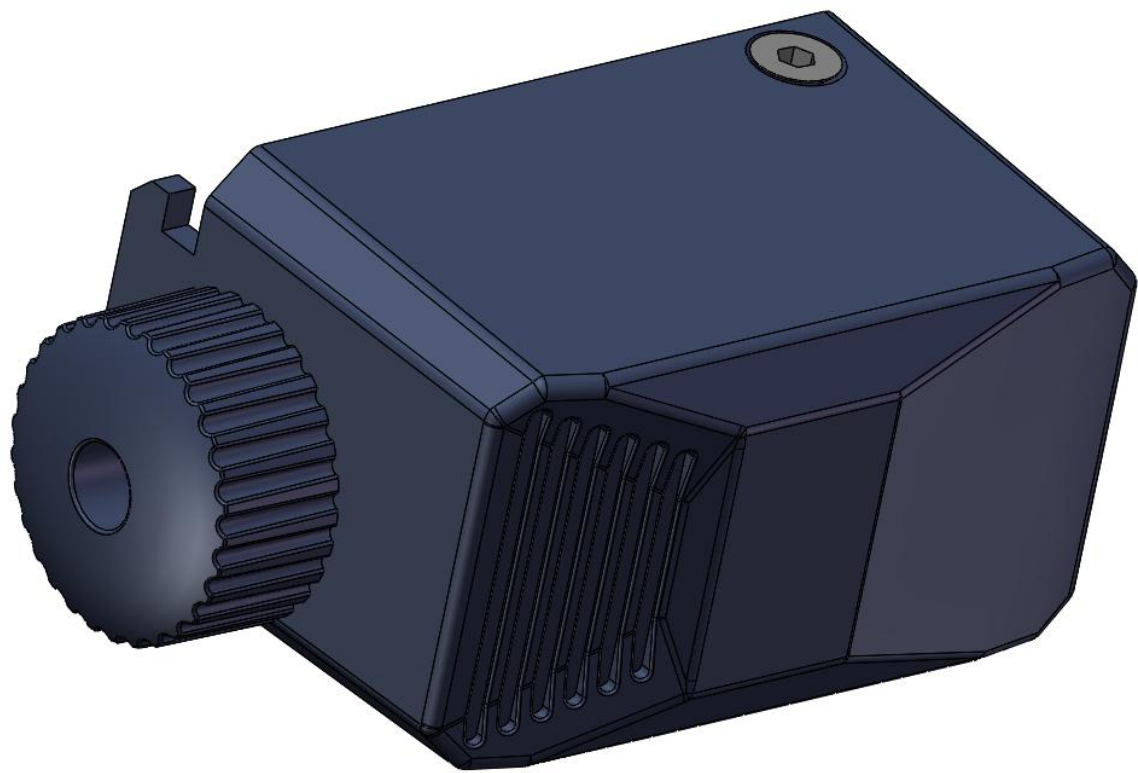


09.201.0011
内六角沉头螺钉 M3*6
M3 x 6 Hex Socket
Countersunk Head Screw



05.201.0055
x轴限位座
X-Axis Limit Base



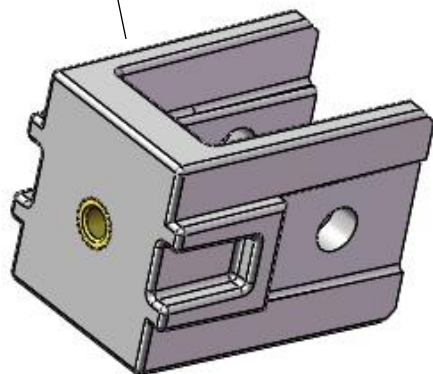


20.204.0062
x轴皮带调节器组件
X-Axis Belt Adjustment
Assembly

09.212.0002
相册螺钉 M4*16母钉
M4 x 16 Mating Screw
Main Screw



05.201.0071
被动滑块
Passive Slide Block



05.201.0080
手拧螺母-D20
Knurled Nut-D20



06.201.0002
F624ZZ轴承
F624ZZ Bearing



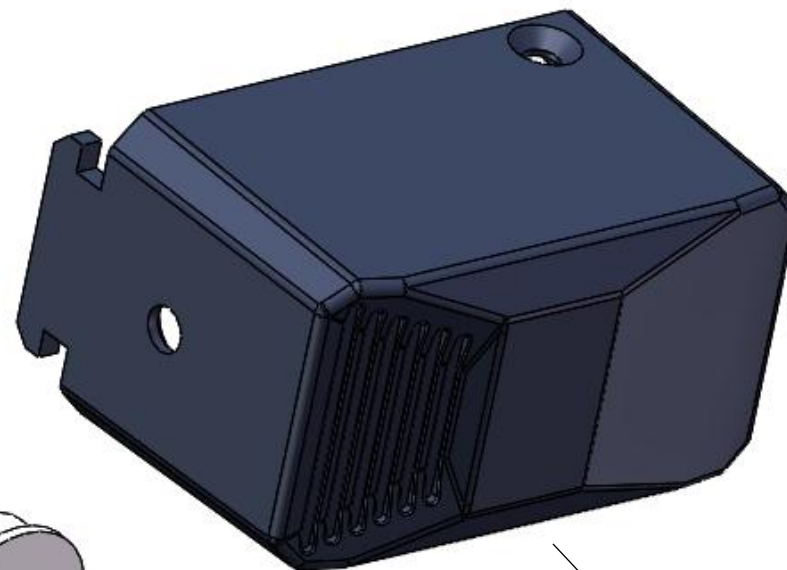
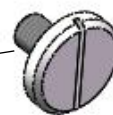
09.203.0013
内六角圆柱头螺钉 M3*20
M3 x 20 Hex Socket Screws,
Domed Head



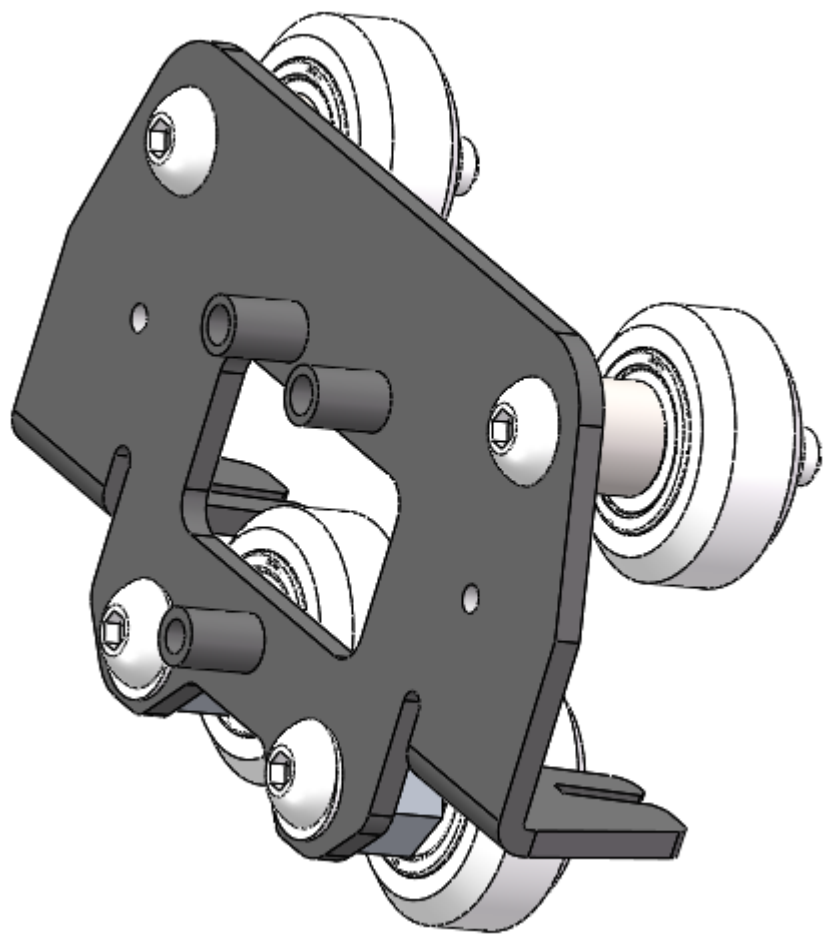
09.201.0011
内六角沉头螺钉 M3*6
M4 x 16 Hex Socket
Screws, Half Round



09.212.0004
相册螺钉 M4子钉
M4 x 16 Mating Screw Child Screw

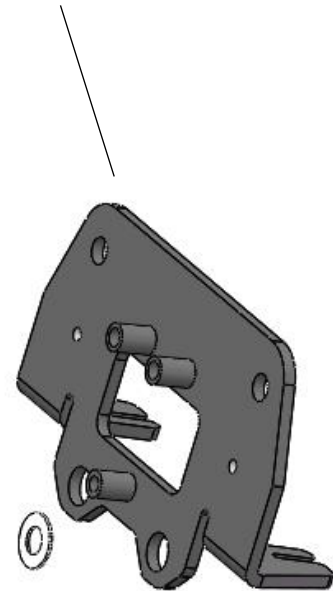


05.201.0056
X轴皮带张紧器外壳
Housing of the Y-Axis
Belt Tensioner

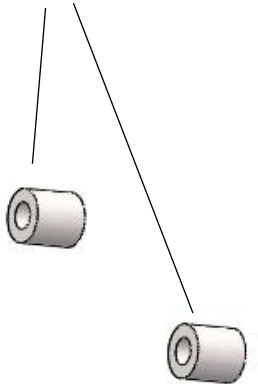


20.205.0092
挤出背板组件
Extruder Rear Panel
Assembly

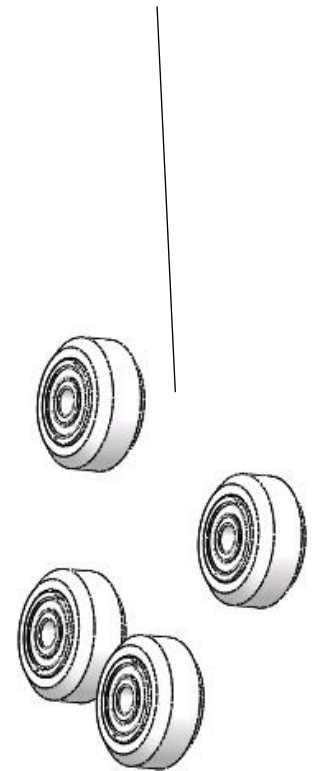
03.202.0042
挤出背板
Extruder Rear Panel



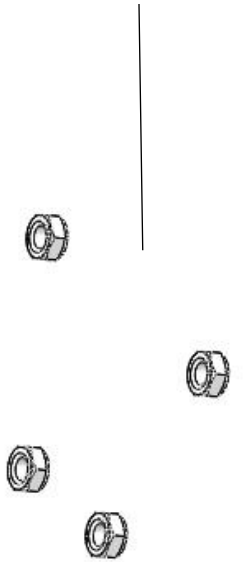
02.209.0002
隔离柱
Spcaer



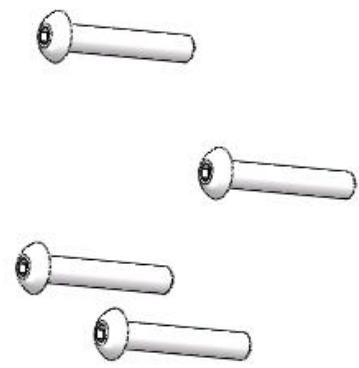
20.206.0001
滑轮组件
Pulley Assembly



09.205.0001
自锁螺母 M5
Self-Hold Nut M5



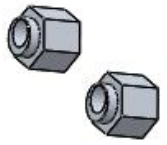
09.202.0043
内六角半圆头螺钉
M5*29
M5 x 29 Hex Socket
Screws, Half Round

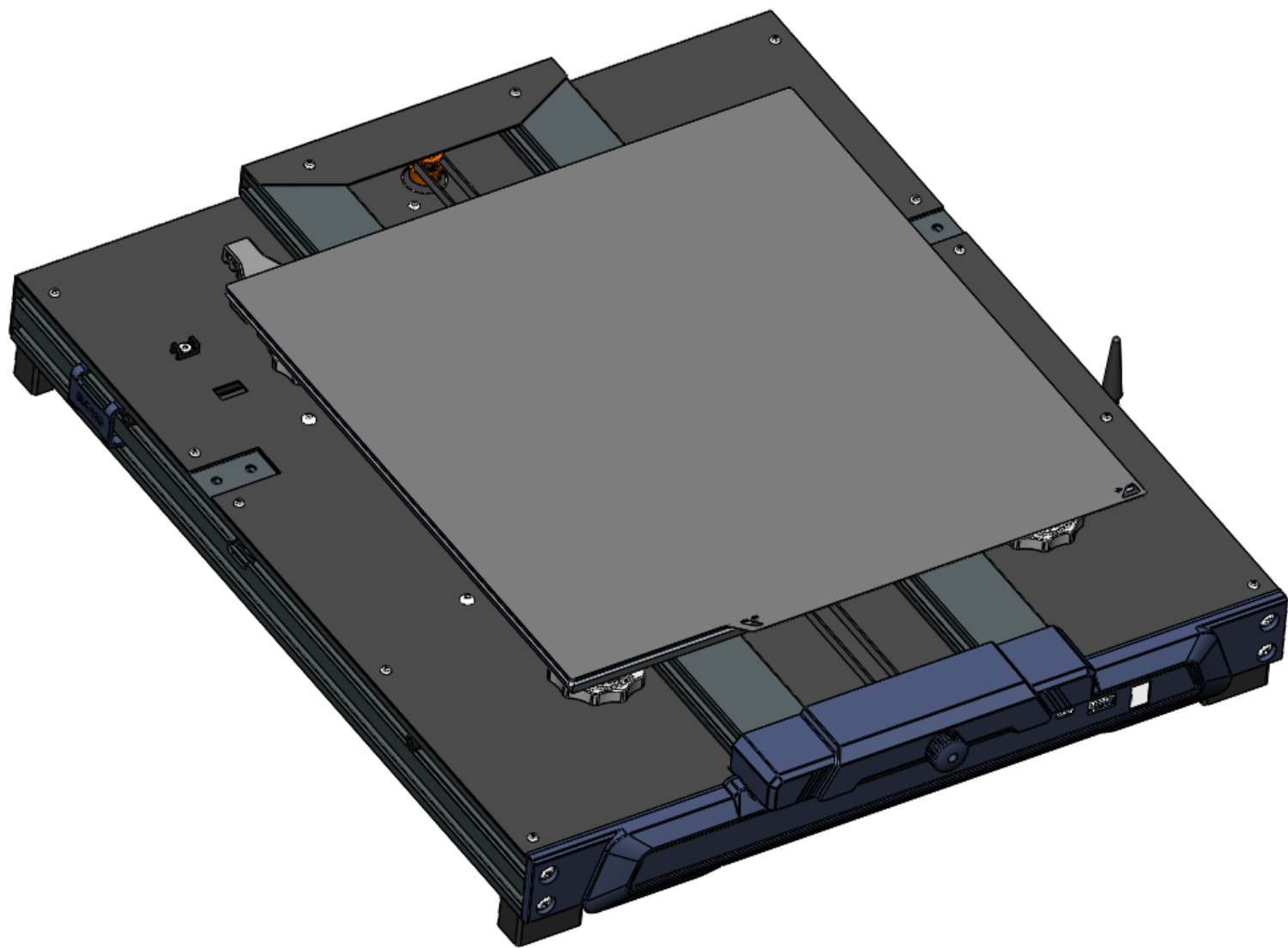


09.204.0003
平垫 M5
Gasket M5



02.209.0001
偏心隔离柱
Eccentric Insulators





20.203.0049B
底座套件-B
Base Kit-B

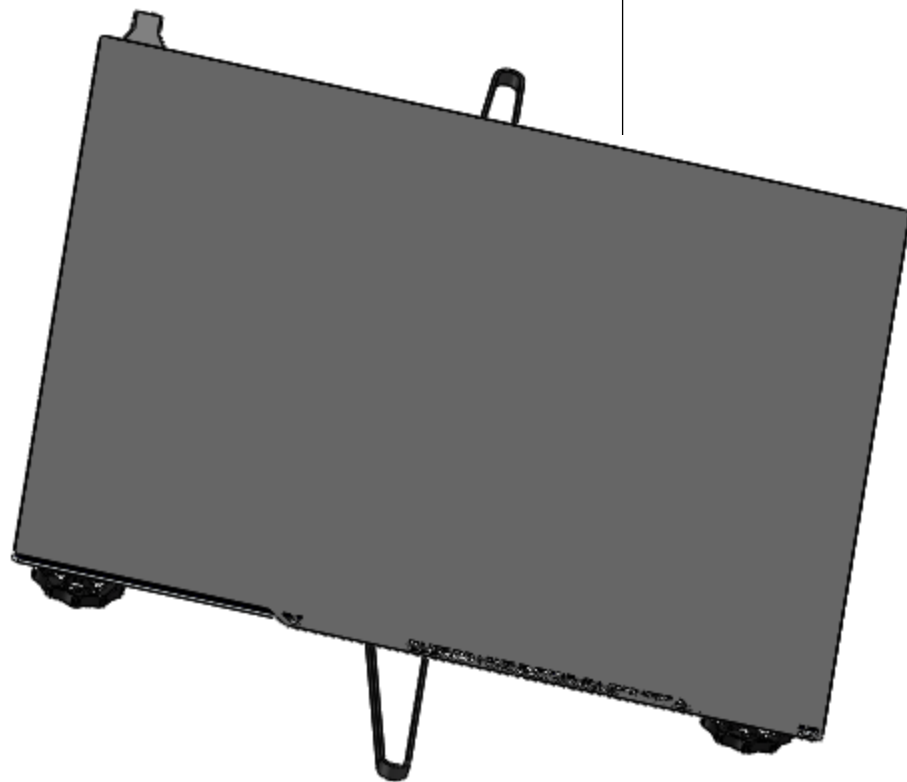
20.204.0137
开关组件
Switch Assembly

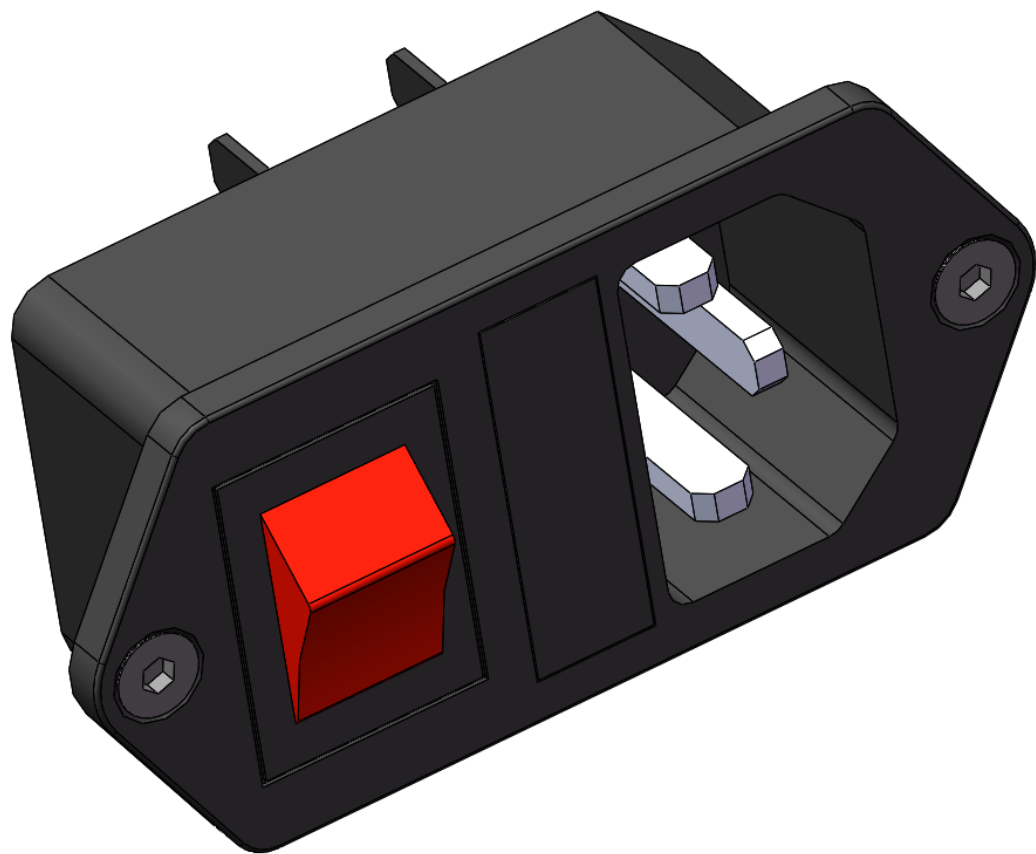


20.204.0136B
底部滑块板套件-B
Base Slider Block Kit-B

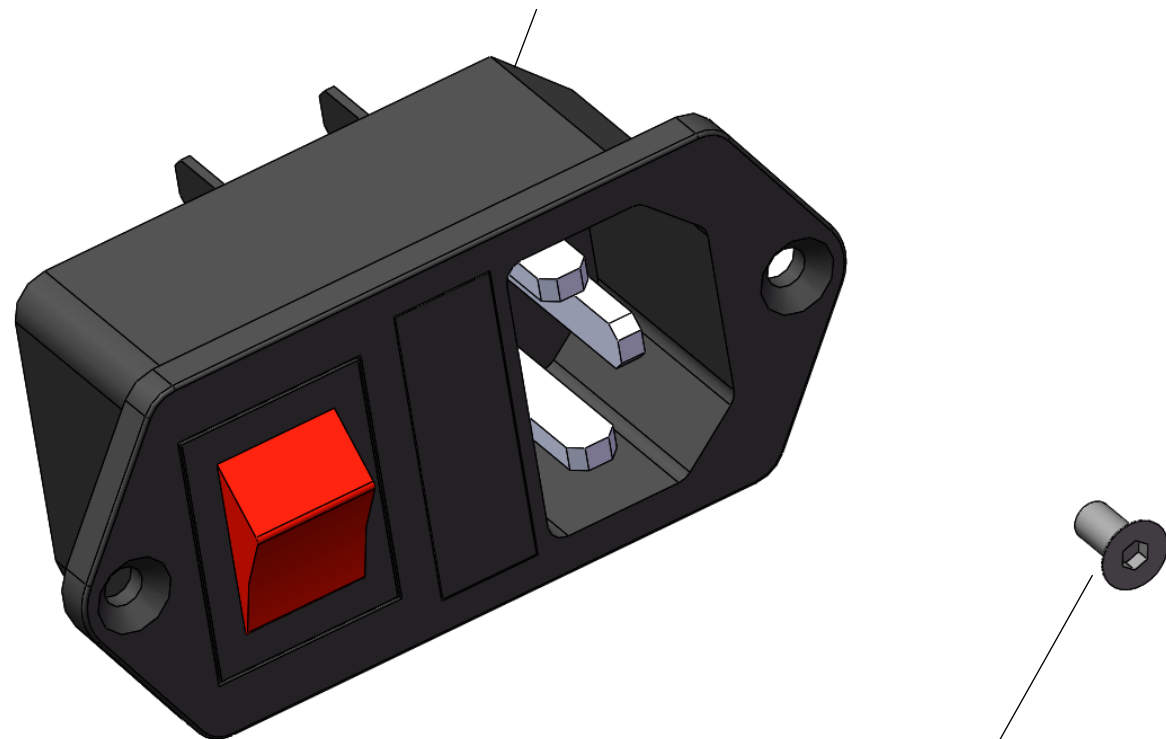


20.204.0139
WIFI网口组件
WIFI LAN Assembly





20.204.0137
开关组件
Switch Assembly



04.202.0010
组合开关
Combination Switch

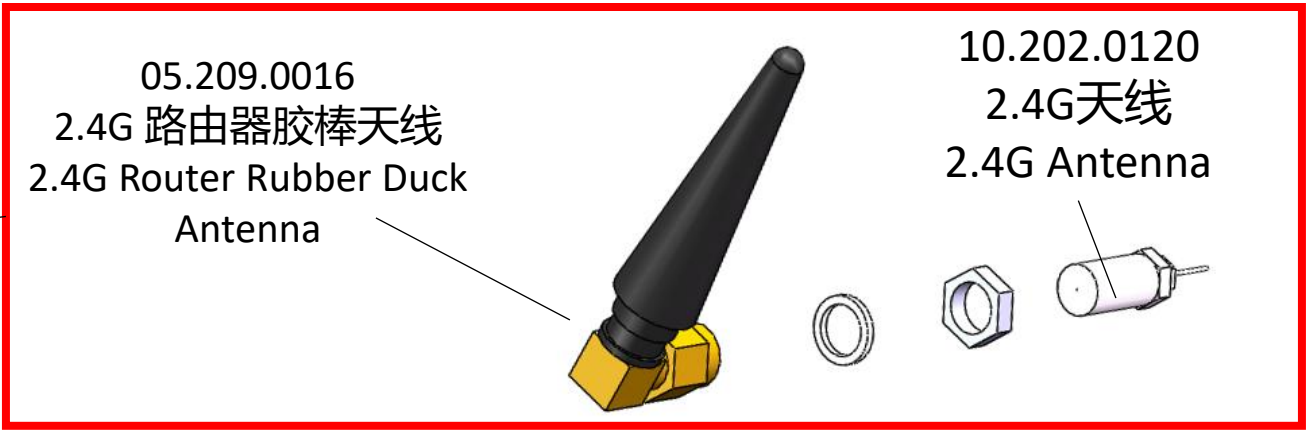
09.201.0011
内六角沉头螺钉 M3*6
M3 x 6 Hex Socket Countersunk
Head



20.204.0139
WIFI网口组件
WIFI LAN Port Assembly



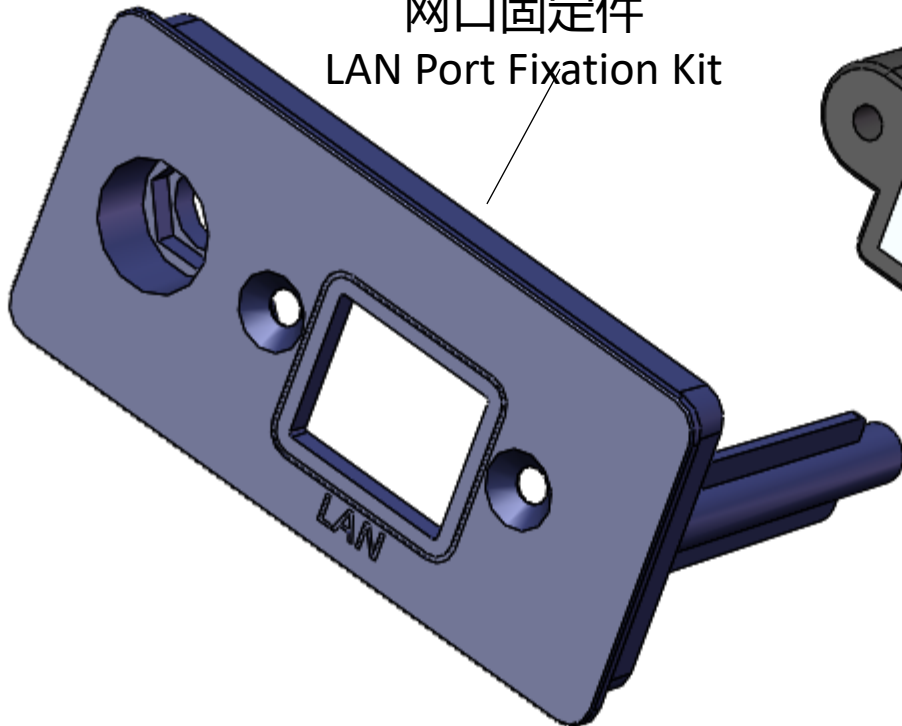
20.205.0086
天线组件
Antenna Assembly



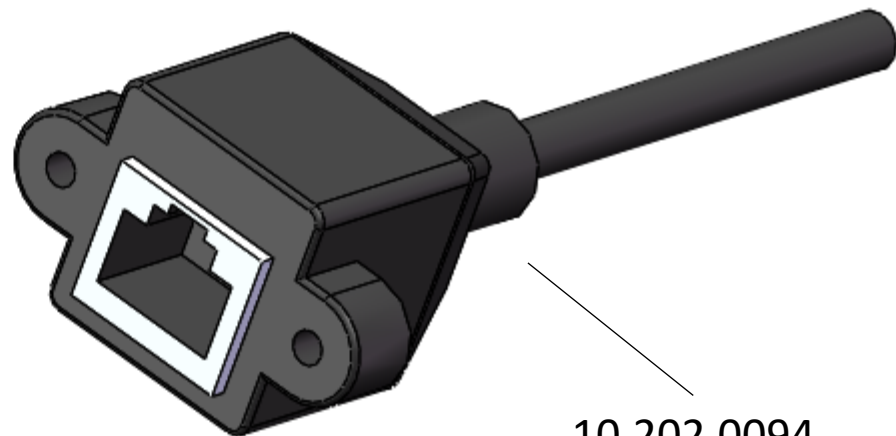
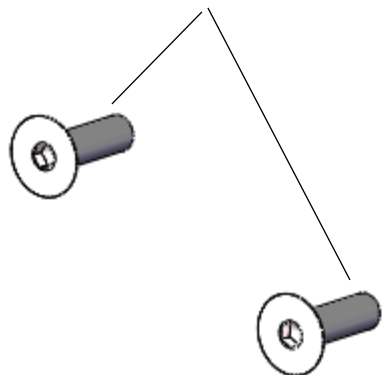
05.209.0016
2.4G 路由器胶棒天线
2.4G Router Rubber Duck
Antenna

10.202.0120
2.4G天线
2.4G Antenna

05.201.0129
网口固定件
LAN Port Fixation Kit



09.201.0002
内六角沉头螺钉 M3*10
M3 x 10 Hex Socket
Countersunk Head Screw



10.202.0094
网络延长线
LAN Port Extension Cable

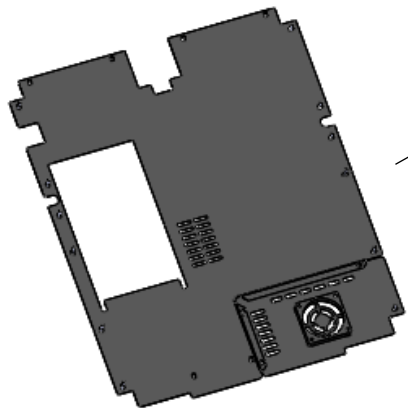
09.206.0016
内六角杯头带垫片尖尾自攻螺钉/PA
3*16
3 x 16 Hex Socket Washer
Combination Self Tapping Screws with
Sharpening End, Cup Head





05.201.0063
排线卡扣
Cable Clip

20.204.0149B
Neptune 4 Plus 底座下板组件-B

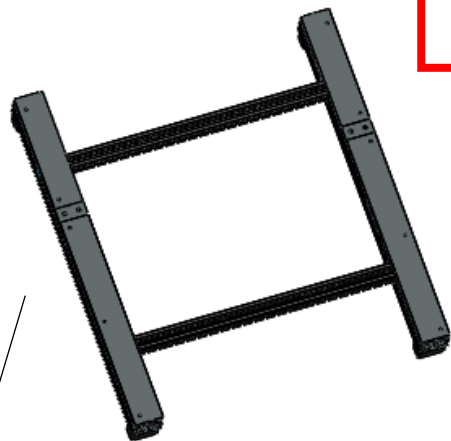


20.204.0148
底部滑块板套件
Base Slider Block Kit



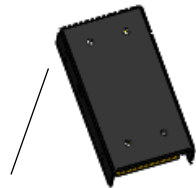
20.204.0147
开关组件
Switch Assembly

20.204.0139
WIFI网口组件
WIFI LAN Assembly

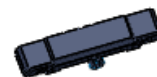


20.204.0145
底座型材套件
Base Profile Kit

04.201.0022
400W黑色开关电源
400WBlack Switch Piwer



20.204.0071
Y轴皮带调节器组件
Y-Axis Belt Adjustment
Assembly



20.206.0021
Neptune 3 Plus Y轴同步带组件
Y-Axis Timing Belt Assembly

20.204.0135
Neptune 4 Max Y轴电机组件

03.202.0035
Y轴后挡板-Max
Y-Axis Rear Panel

20.204.0103
惰轮组件

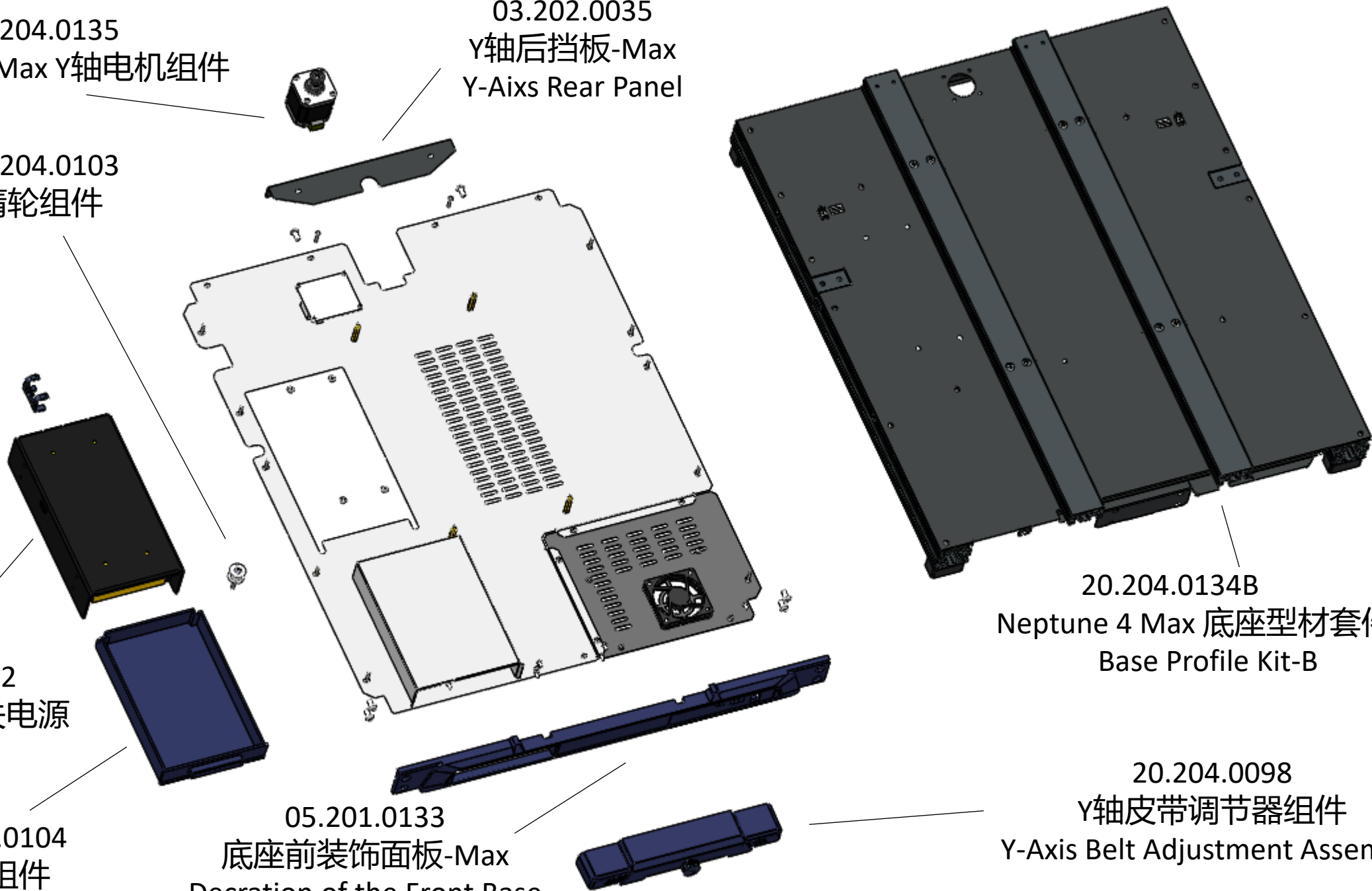
04.201.0022
400W黑色开关电源
Power

20.204.0104
抽屉组件

05.201.0133
底座前装饰面板-Max
Decration of the Front Base

20.204.0134B
Neptune 4 Max 底座型材套件-B
Base Profile Kit-B

20.204.0098
Y轴皮带调节器组件
Y-Axis Belt Adjustment Assembly



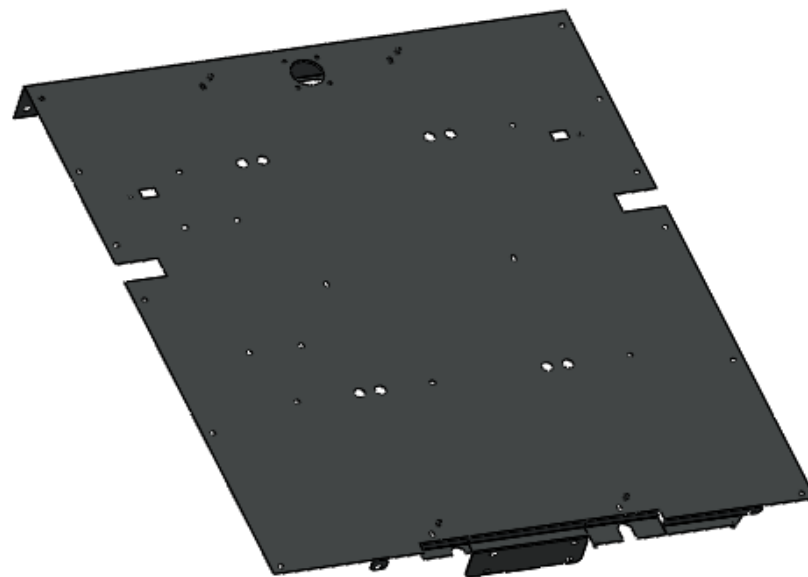


20.204.0134B
Neptune 4 Max 底座型材套件-B
Base Profile Kit-B

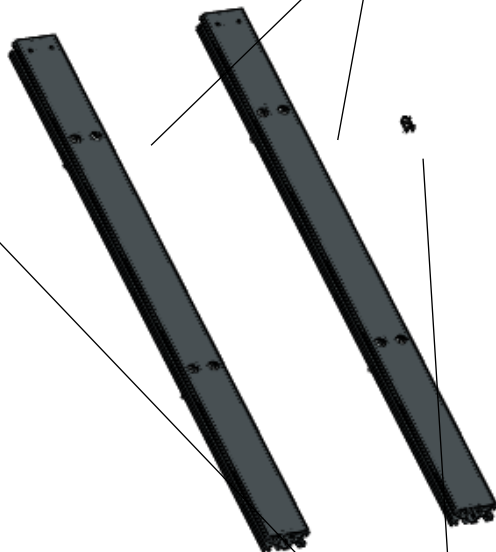


05.209.0005
护线圈
Protective Ring

03.202.0050B
4MAX钣金上盖板-B
Upper Plate of the Base-B

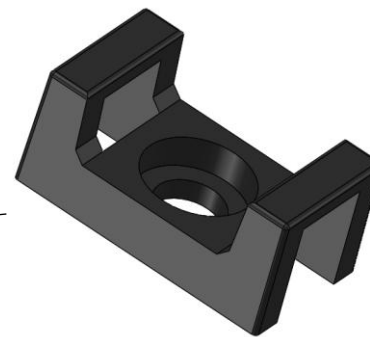


02.203.0071B
4MAX Y轴型材-B
2040Profile Y-Axis Profile-B



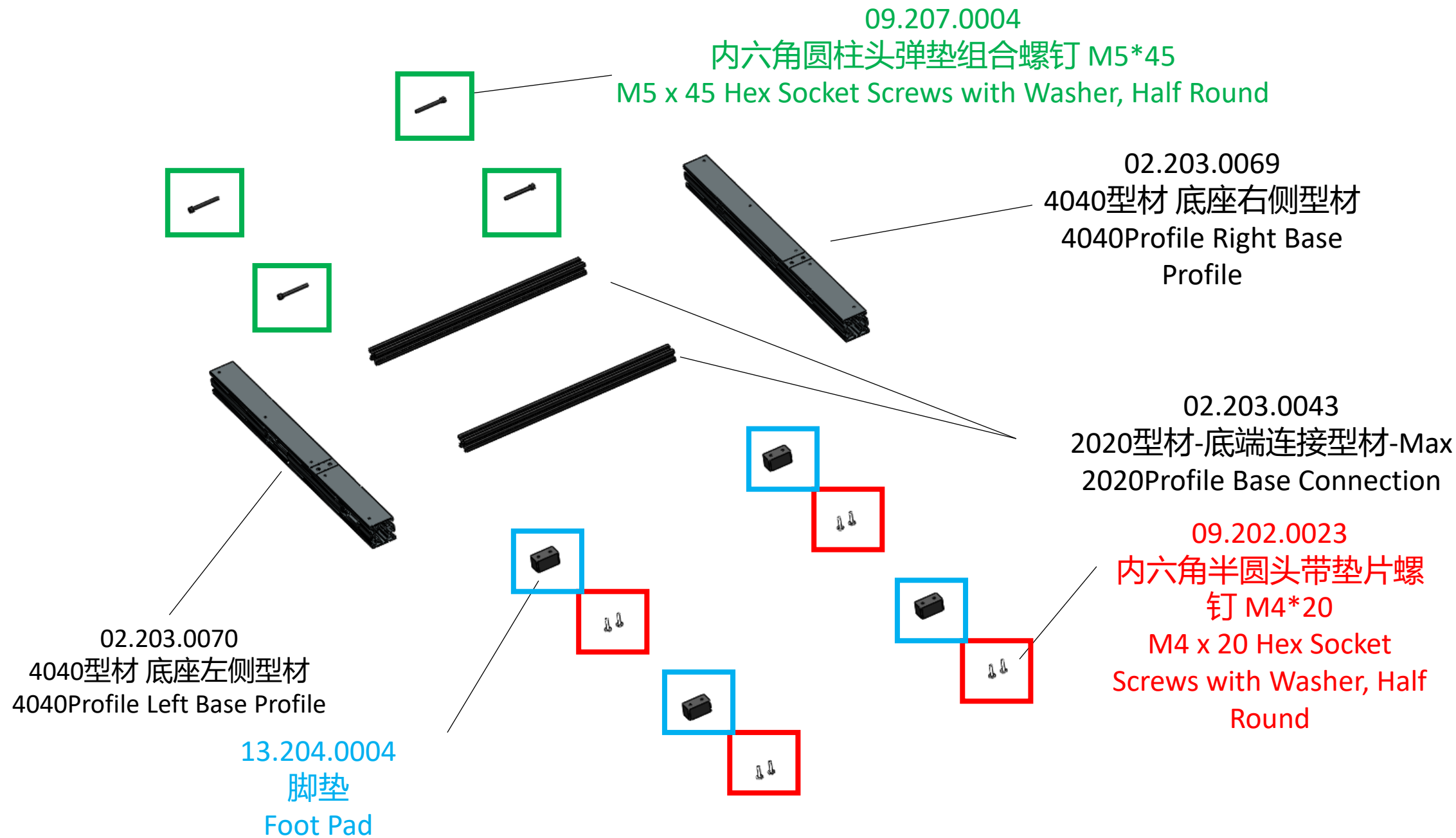
20.205.0080
Neptune 4 Max 底座型
材组件

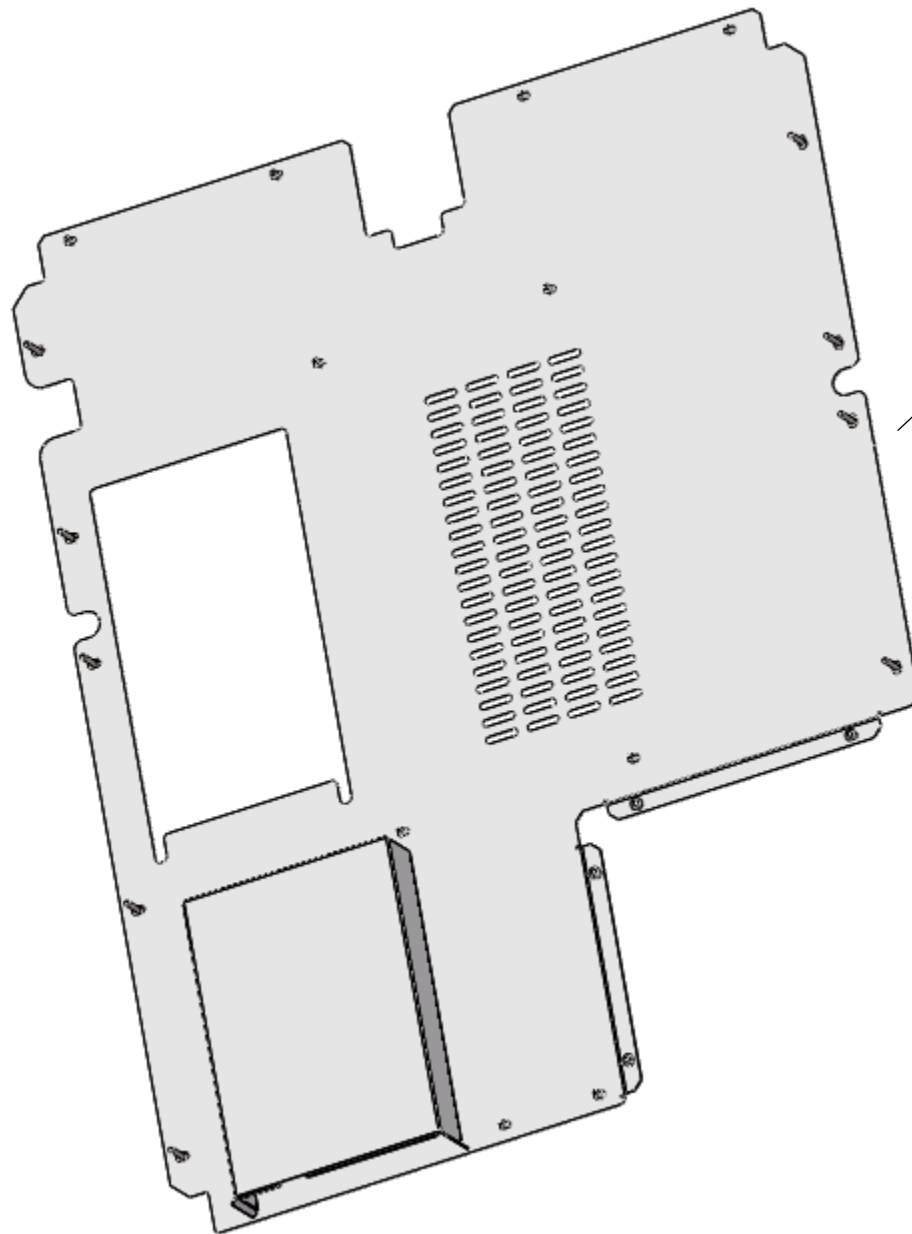
05.209.0007
扎带固定座



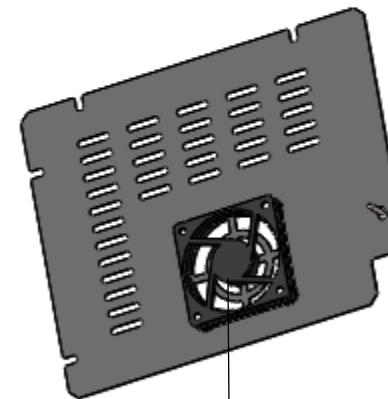


20.205.0080
Neptune 4 Max 底座型
材组件



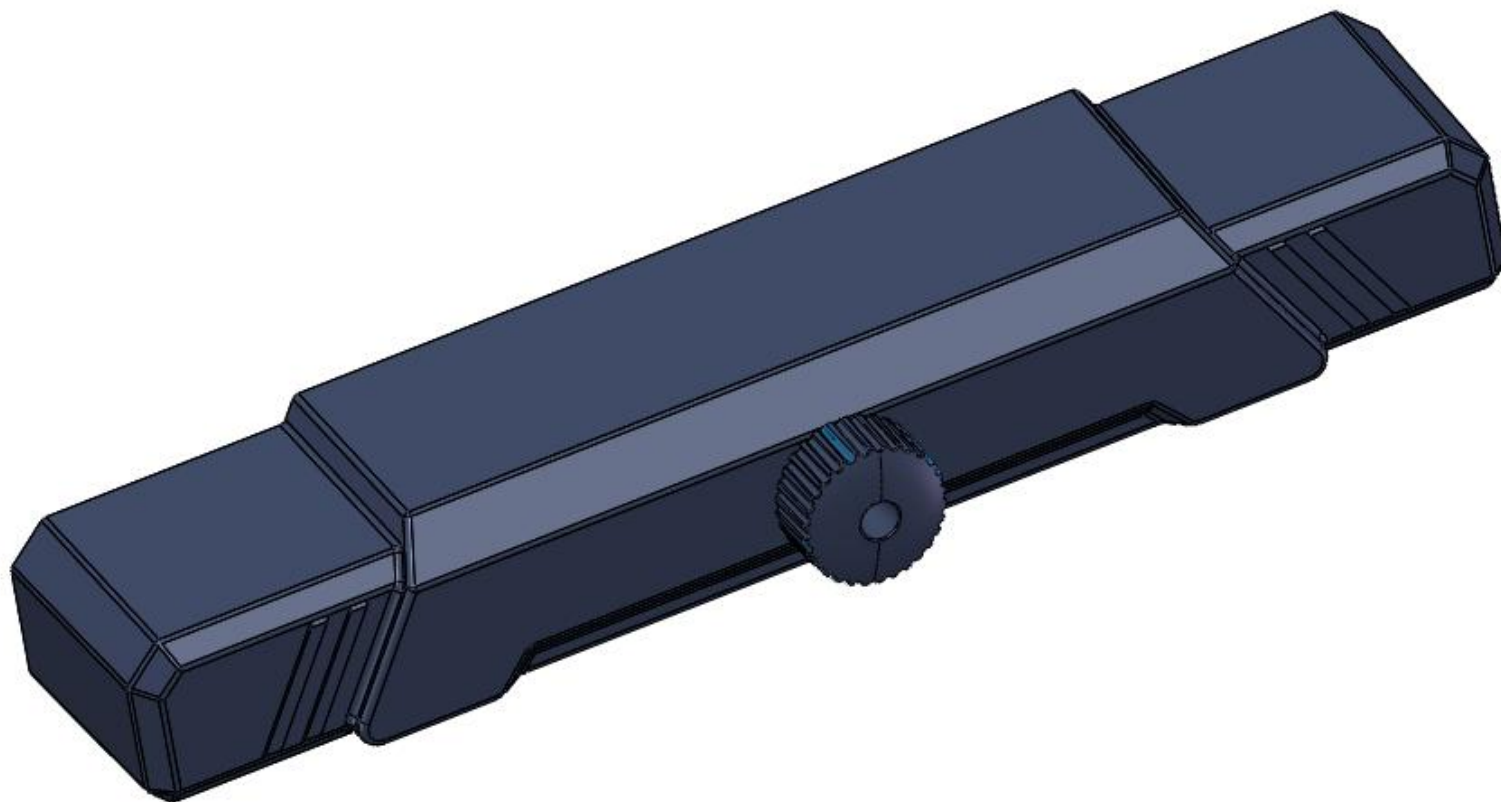


03.202.0051B
4MAX钣金底盖-B
Lower Plate of the Base-B



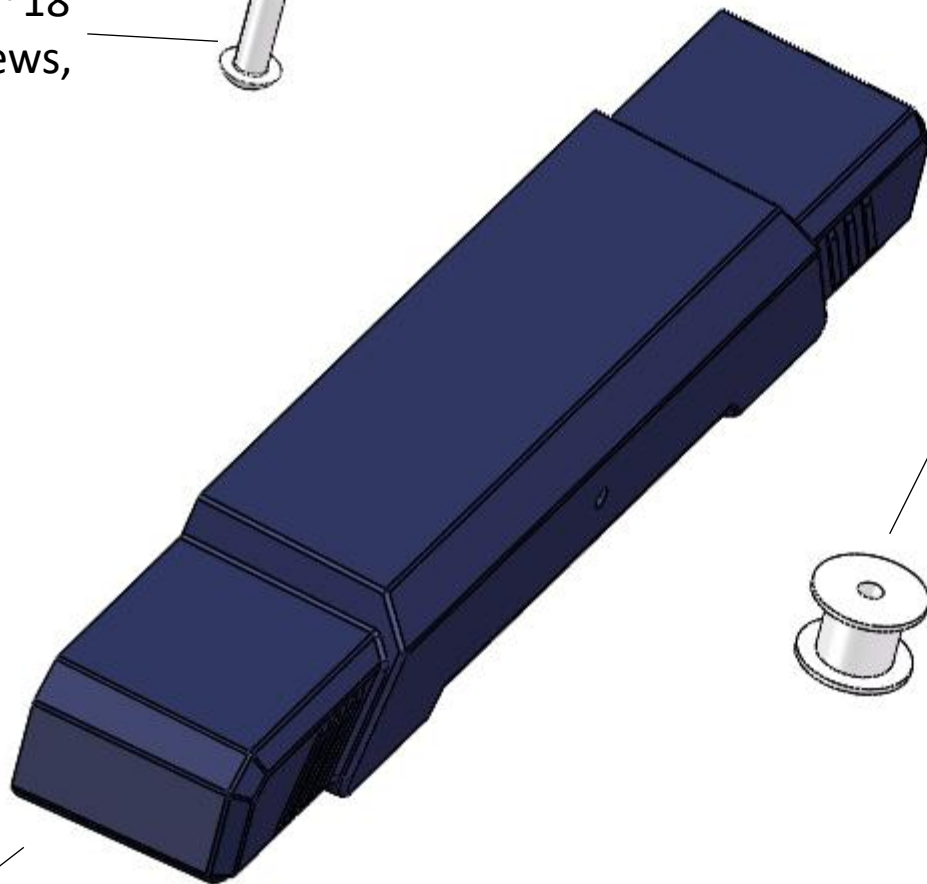
03.202.0129
4MAX主板盖板

04.203.0020
6010轴流风扇
6010Axial Flow Fan

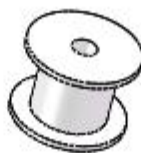


20.204.0098
Y轴皮带调节器组件
Y-Axis Belt Adjustment
Assembly

09.202.0015
内六角半圆头螺钉 M5*18
M5 x 18 Hex Socket Screws,
Half Round



06.201.0001
惰轮-W10



09.212.0007
相册螺钉 M4*18母钉
M4 x 18 Mating Screw
Main Screw



05.201.0087
被动滑块-W10mm
Passive Slider



05.201.0080
手拧螺母-D20
Knurled Nut-D20



05.201.0082
Y轴皮带调节装饰件-Max
Y-Axis Belt Adjustment
Decoration

09.212.0004
相册螺钉 M4子钉
M4 x 16 Mating Screw
Child Screw

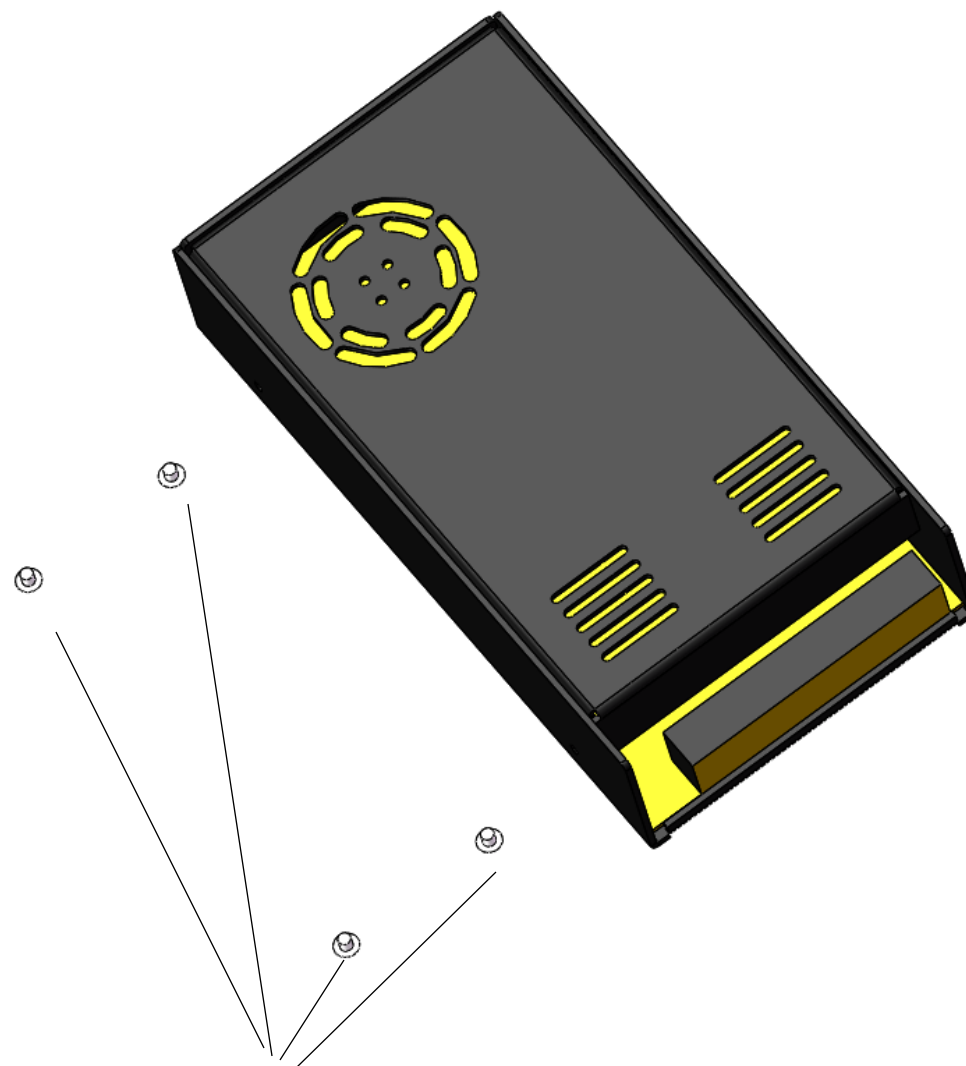


09.203.0013
内六角圆柱头螺钉 M3*20
M3 x 20 Hex Socket Screws,
Half Round

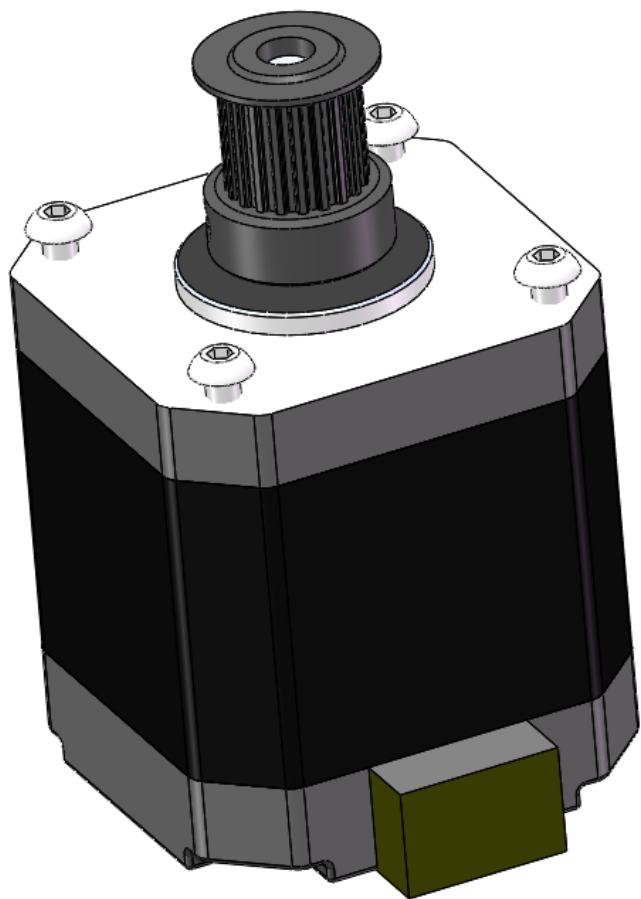




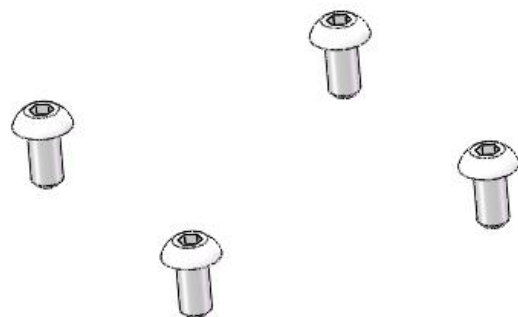
04.201.0022
400W黑色开关电源
400WBlack Switch Power



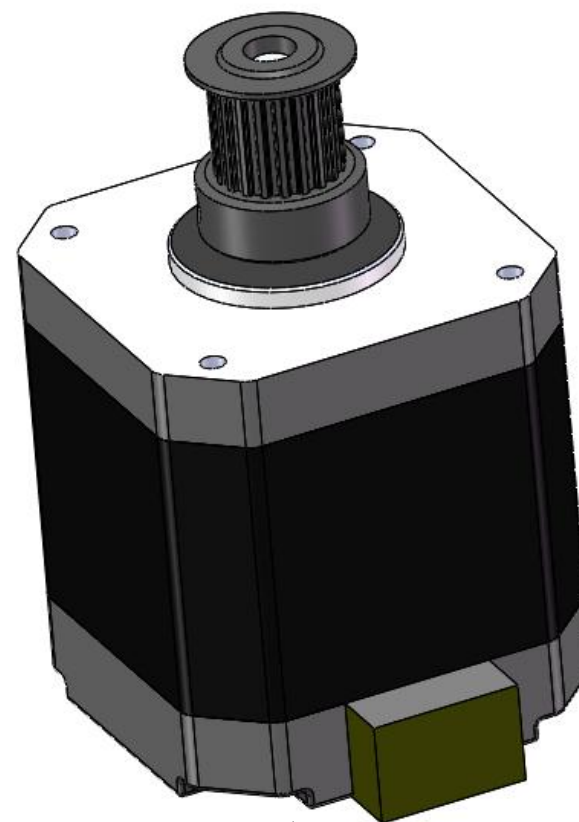
09.202.0017
内六角半圆头螺钉 M4*4
M4 x 4 Hex Socket Screws,
Half Round



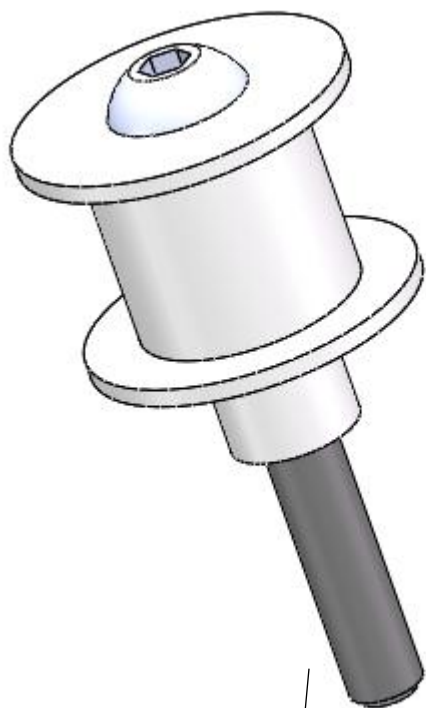
20.204.0135
Neptune 4 Max Y轴电机组件



09.202.0001
内六角半圆头螺钉 M3*6

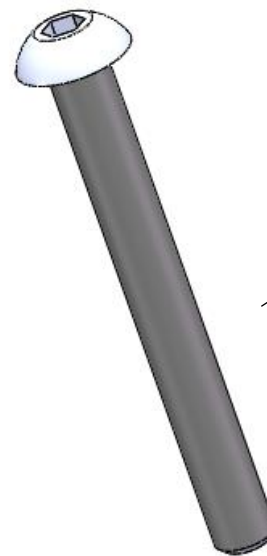
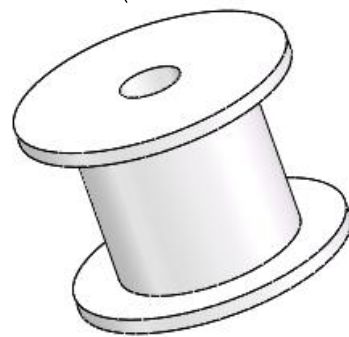


08.201.0026
42-48-L21.4银色高速步进电机
42-48-L21.4 Sliver High-Speed
Stepper Motor



20.204.0103
惰轮组件

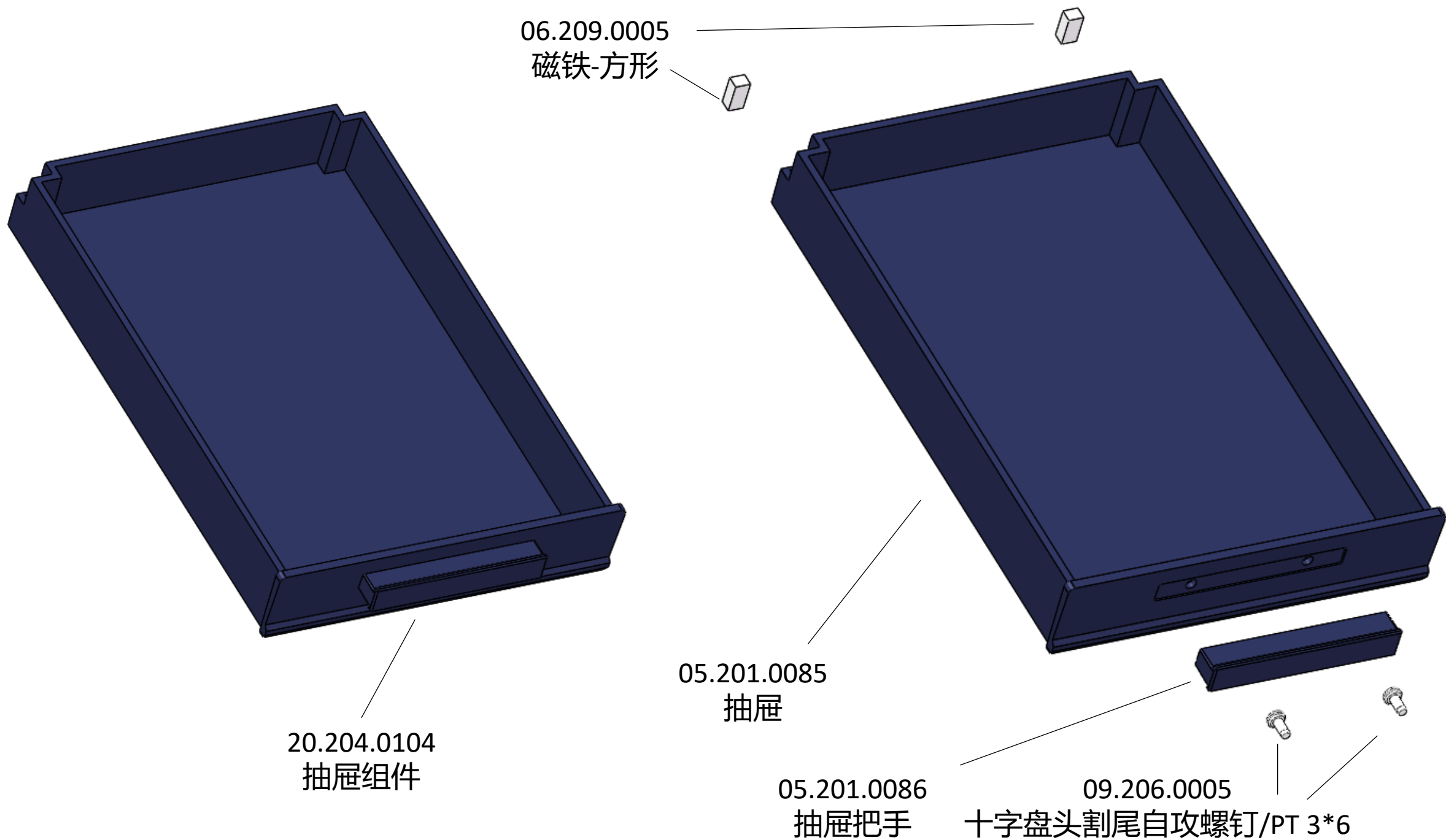
06.210.0001
惰轮-W10

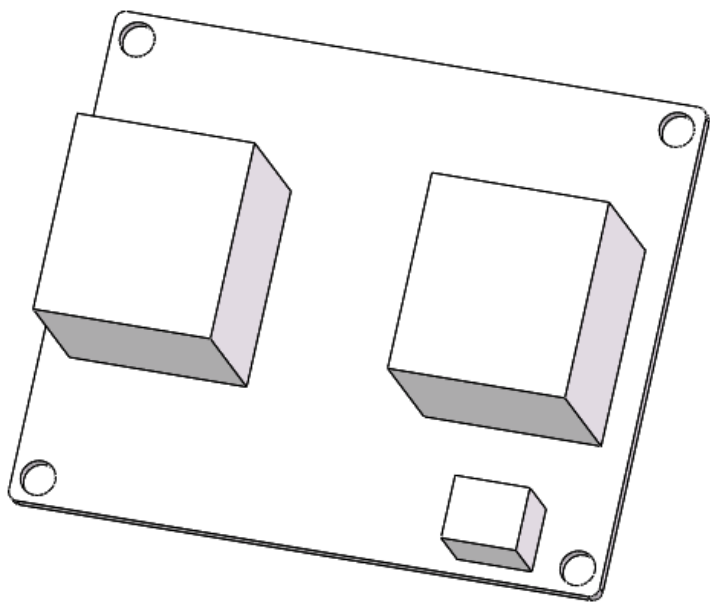


09.202.0030
内六角半圆头半螺纹螺
钉 M4*35

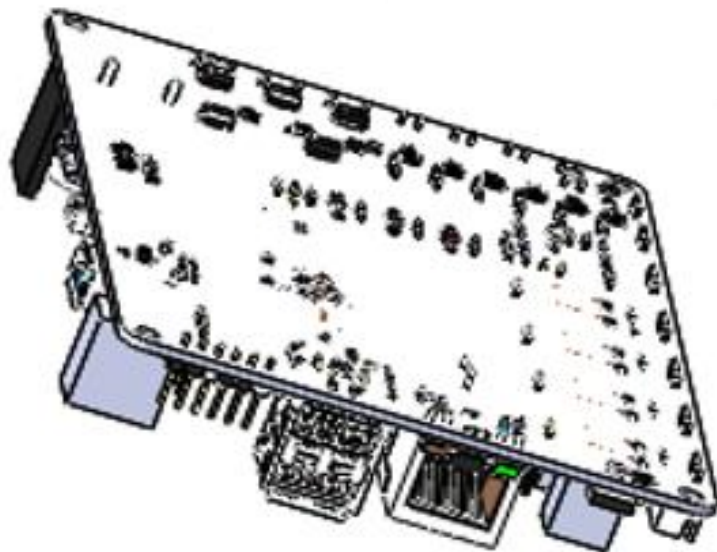


05.203.0006
尼龙柱





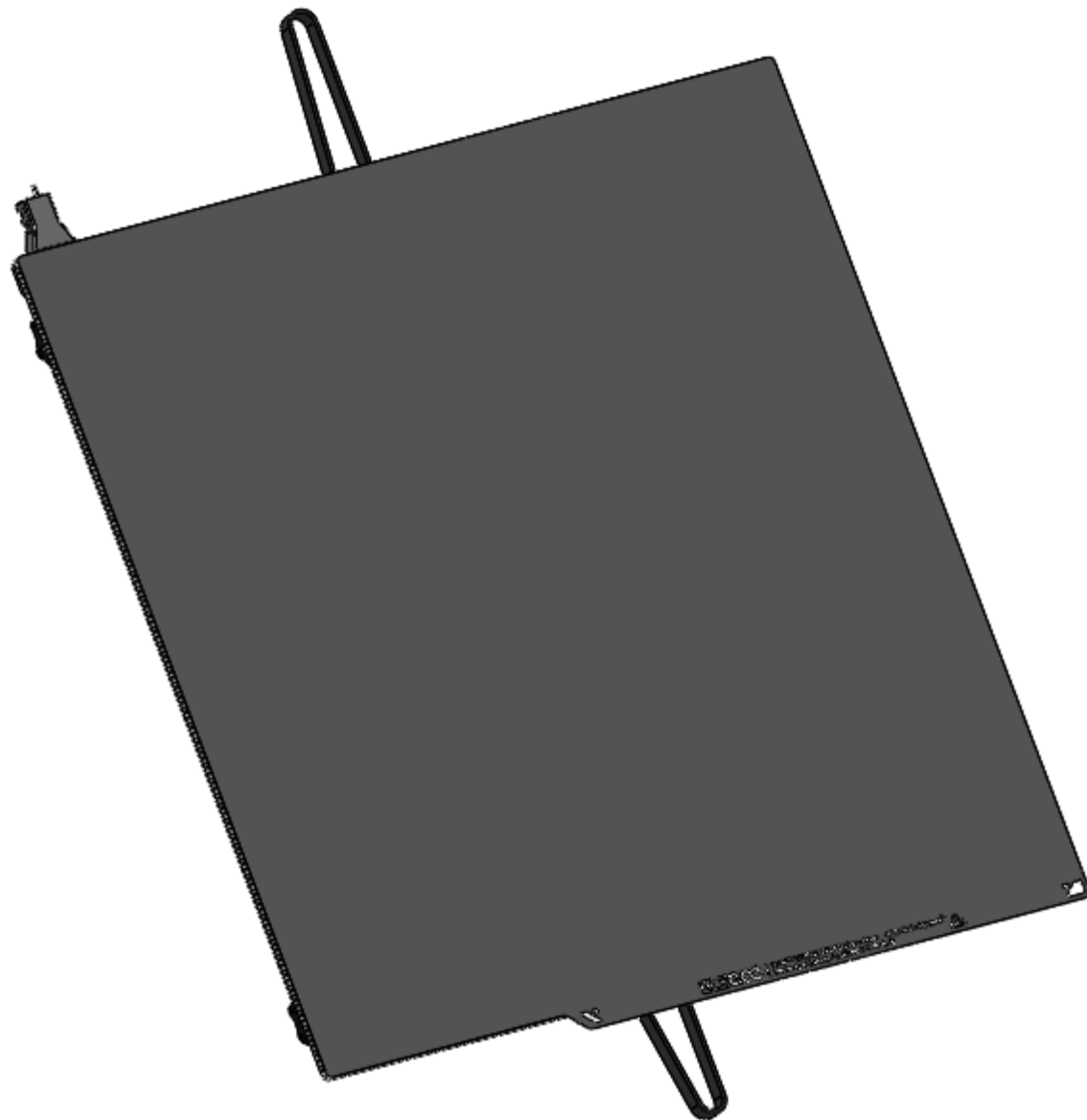
01.201.0018
热床模块
Heated Bed Module



01.201.0060
主板 K1 V2.3
Motherboard K1 V2.3

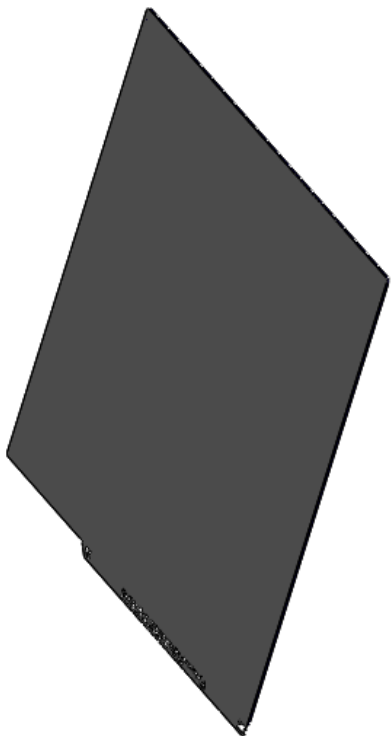


05.201.0289
线材卡扣
Cable Clip

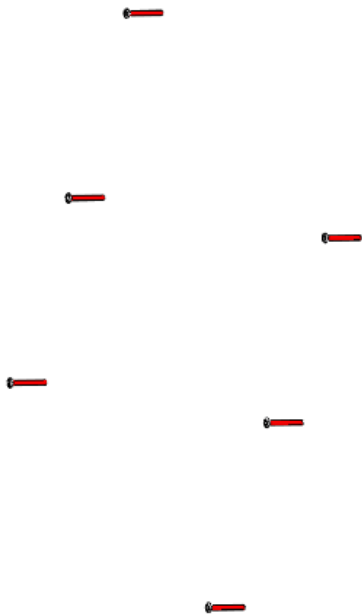


20.204.0136B
底部滑块板套件-B
Base Silder Block Kit-B

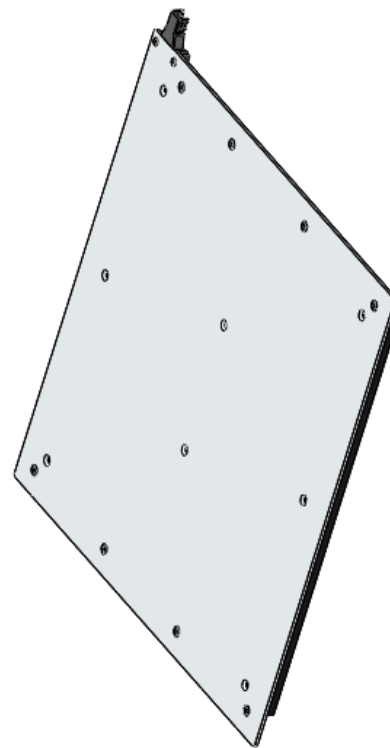
20.205.0089
平台贴纸组件
Plate Sticker Assembly



09.201.0027
内六角沉头螺钉 M4*35
M4 x 35 Hex Socket
Countersunk Head Screw



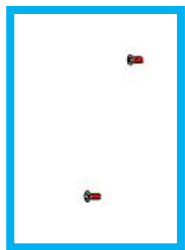
20.205.0082B
热床板组件-B
Base Silder Block Kit-B



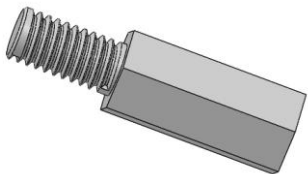
06.204.0019
模具弹簧D8x20
D8x20 Mould Coil Spring



09.201.0021
内六角沉头螺钉 M4*8



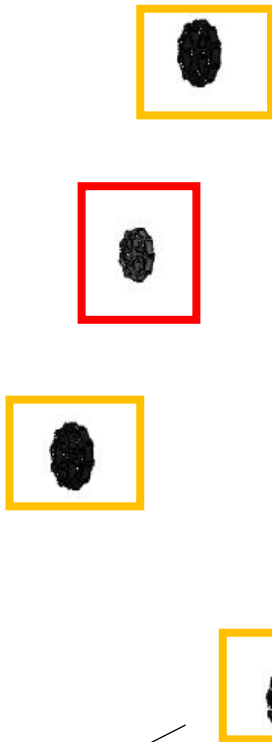
09.208.0006
M4x13.5X8六角螺柱
M4x13.5X8 Hex Socket Bolt



09.202.0027
内六角半圆头螺钉 M4*25



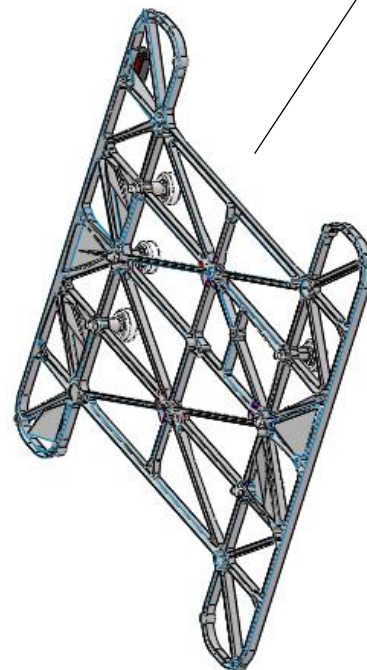
05.201.0077
手拧螺母-D50
Knurled Nut-D50



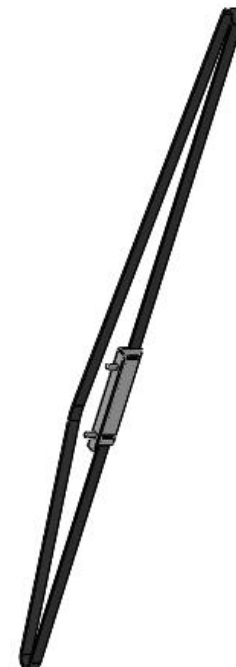
05.201.0081
手拧螺母-D40
Knurled Nut-D40

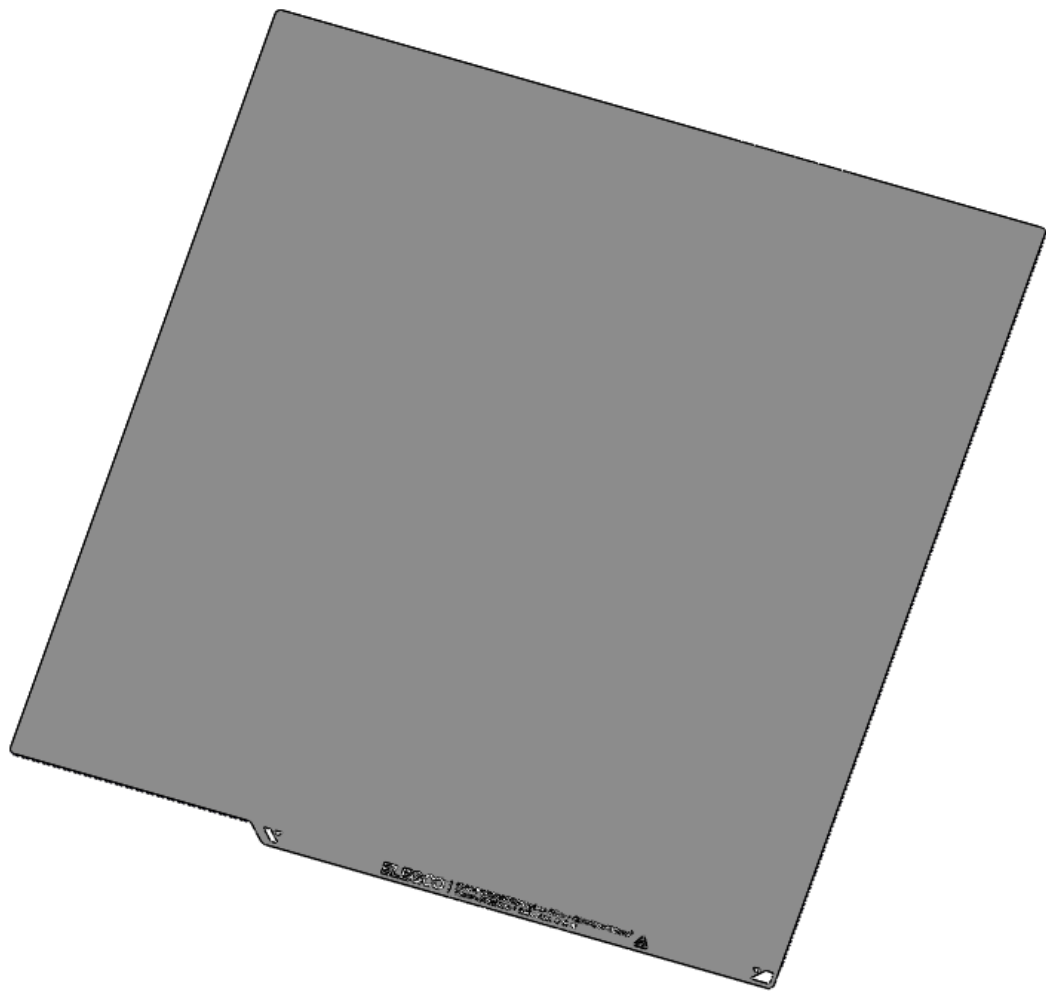


20.205.0081
底部滑块板组件
Base Slider Assembly



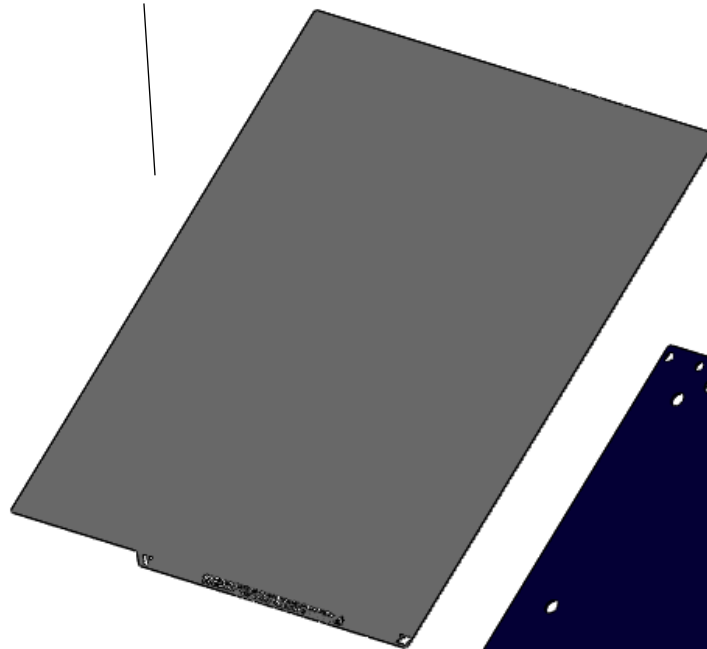
20.205.0097
Neptune 4 Max Y轴同步带组件
Y-Max Timing Belt Assembly



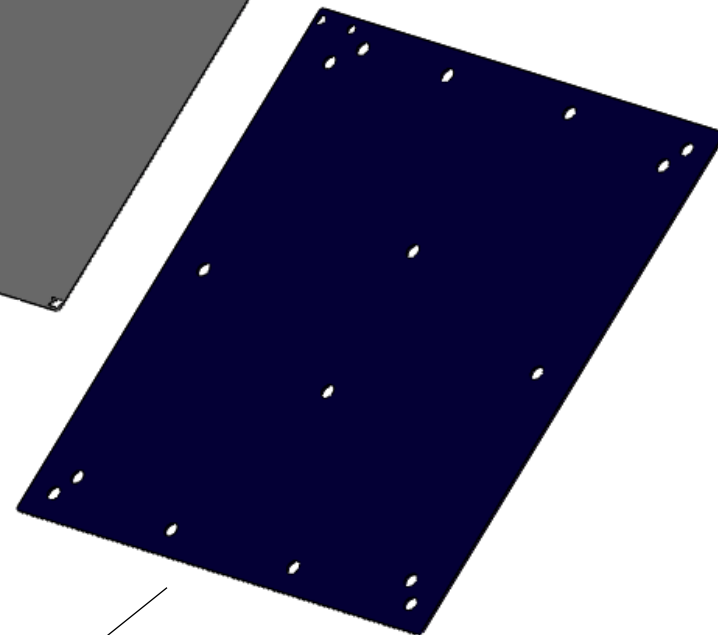


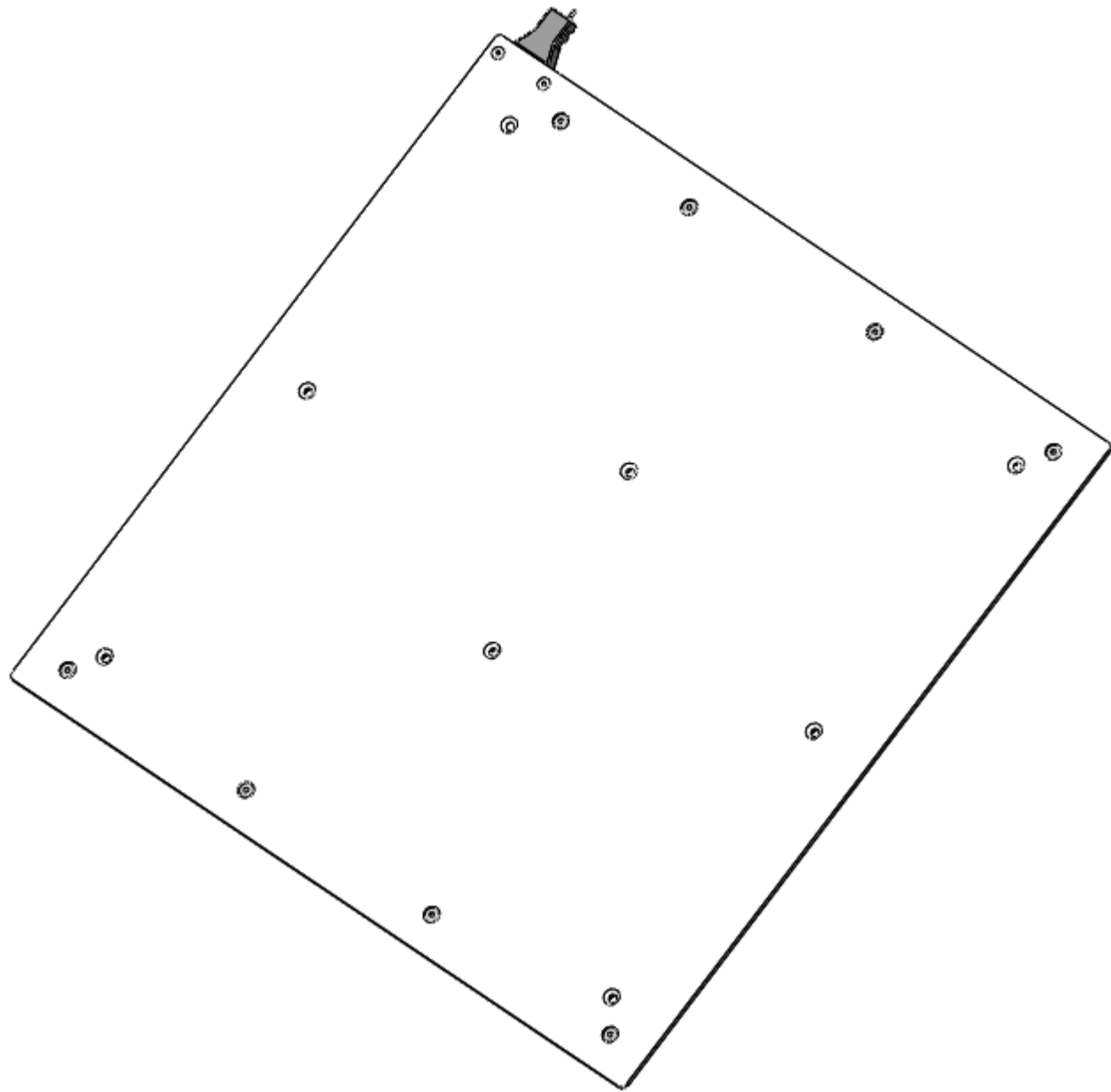
20.205.0089
平台贴纸组件
Plate Sticker Assembly

13.202.0024
打印平台板-330
Plate-330



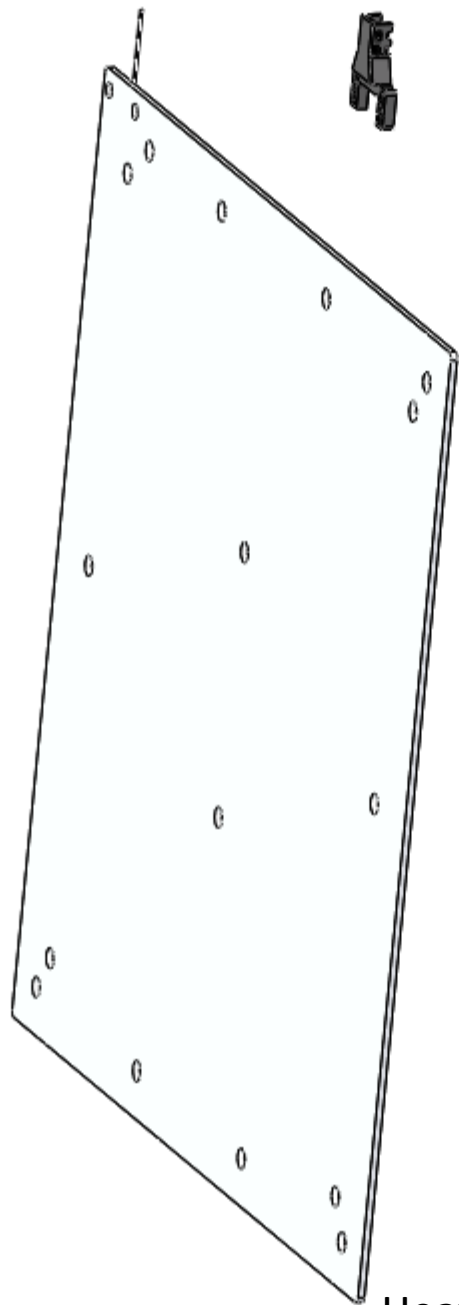
13.202.0014
软磁底板
Soft Magnetic Plate





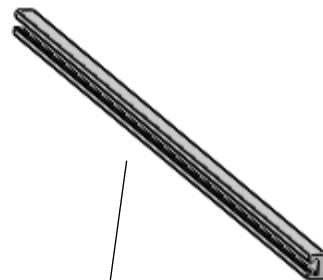
20.205.0082B
热床板组件-B
Base Silder Block Kit-B

09.201.0017
内六角沉头螺钉 M4*12

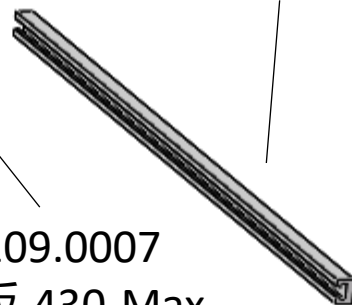


04.209.0007
热床板-430-Max
Heated Bed Plate-430-Max

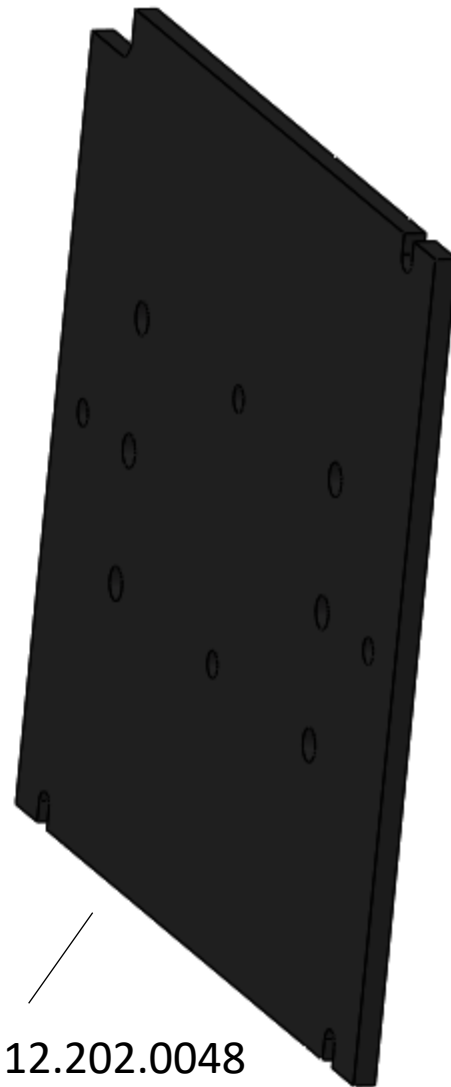
02.203.0051
1108型材-L365



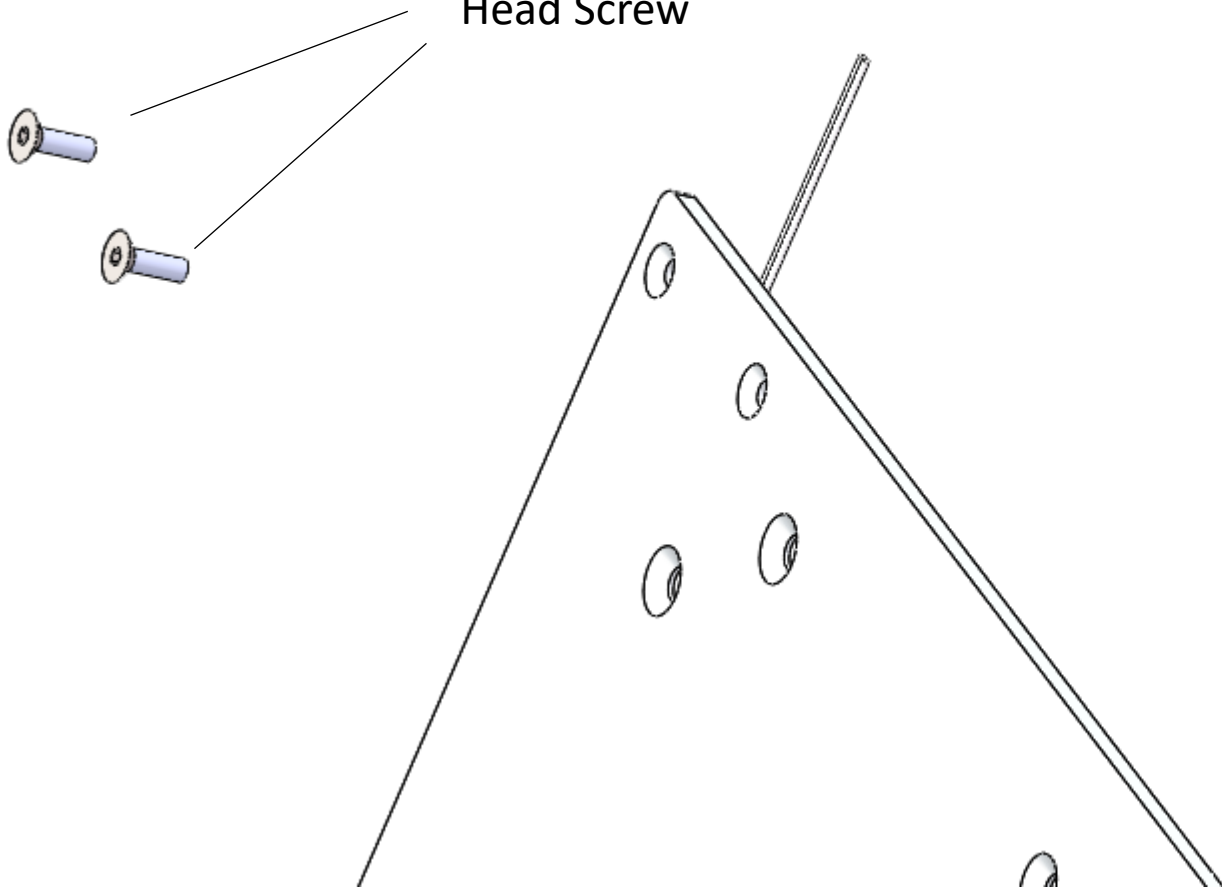
02.203.0050
1108型材-L400



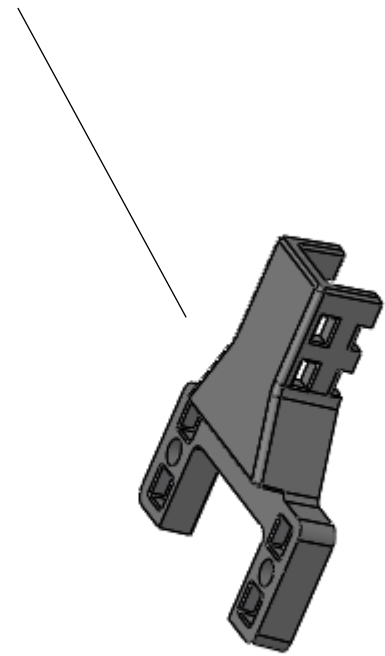
12.202.0048
热床保温棉-Max
Heated Bed Insulated Cotton-Plus



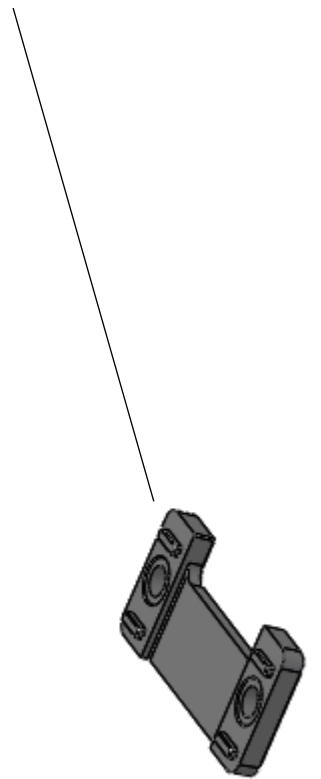
09.201.0002
内六角沉头螺钉 M3*10
M3 x 10 Hex Socket Countersunk
Head Screw

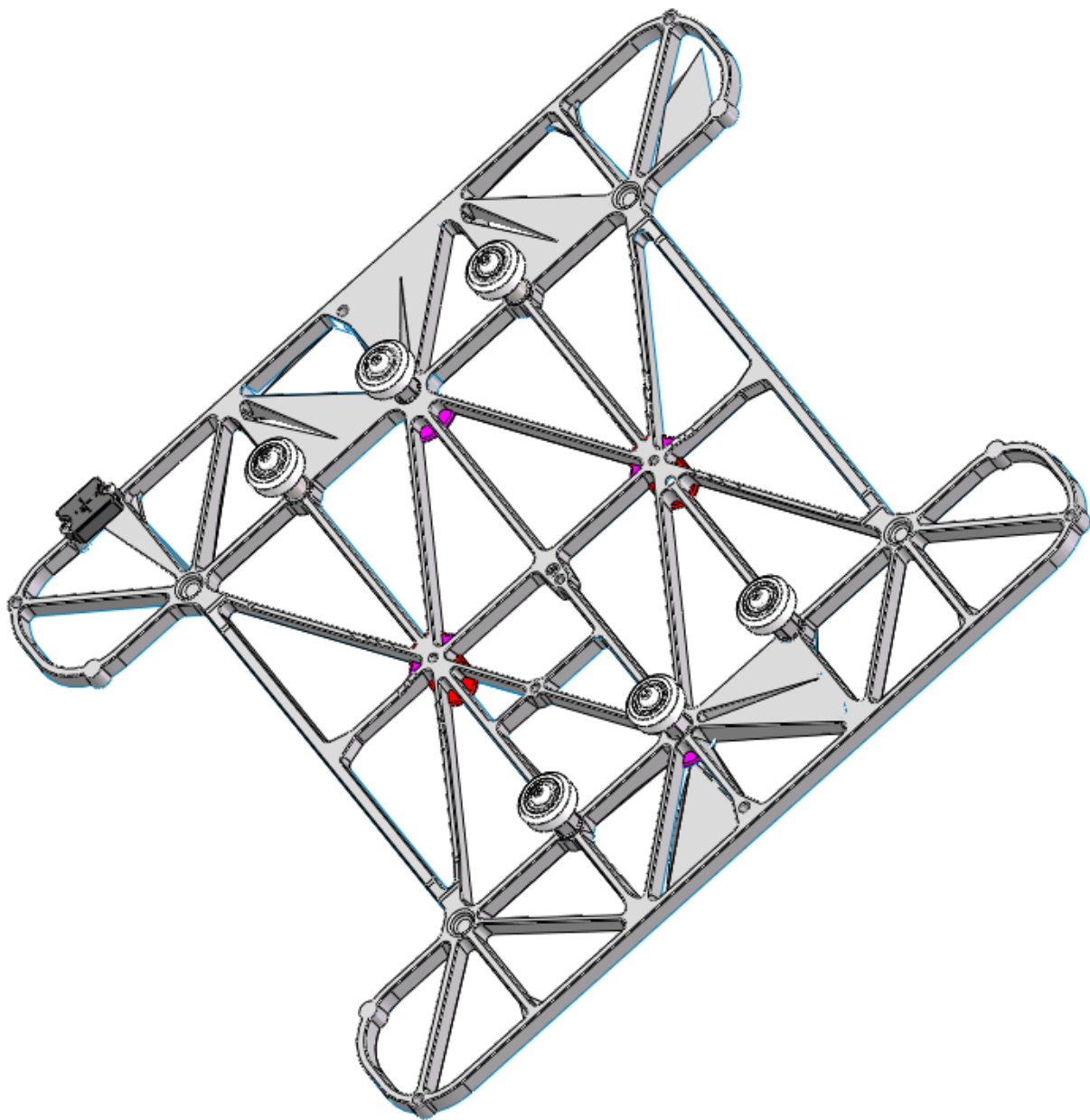


05.201.0122
热床线固定件
Heated Bed Cable Fixation

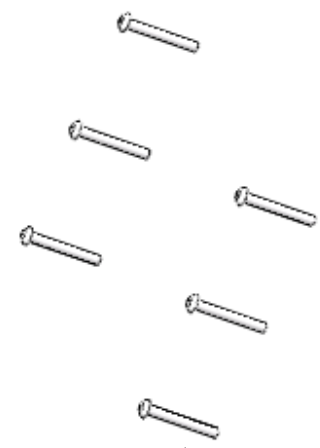


05.201.0123
热床线固定件盖
Heated Bed Cable Fixation Cover

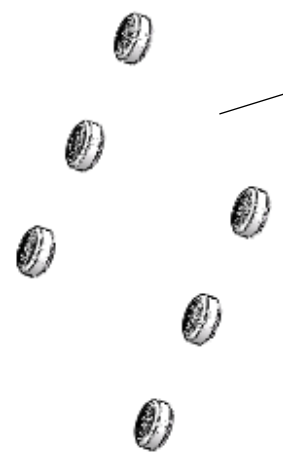




20.205.0081
底部滑块板组件
Base Slider Assembly

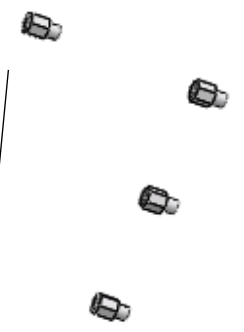


09.202.0005
扁平头内六角螺钉 M5*40
M5 x 35 Hex Socket Screws,
Flat Head



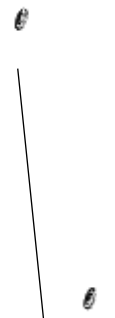
02.209.0010
偏心隔离柱-4MAX
Eccentric Insulators

20.206.0001
滑轮组件
Slider Assembly

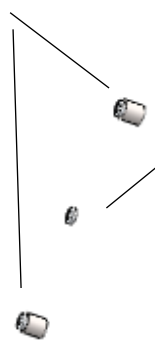


20.206.0031
Y轴加速度模块组件
Y-Axis Acceleration Module Assembly

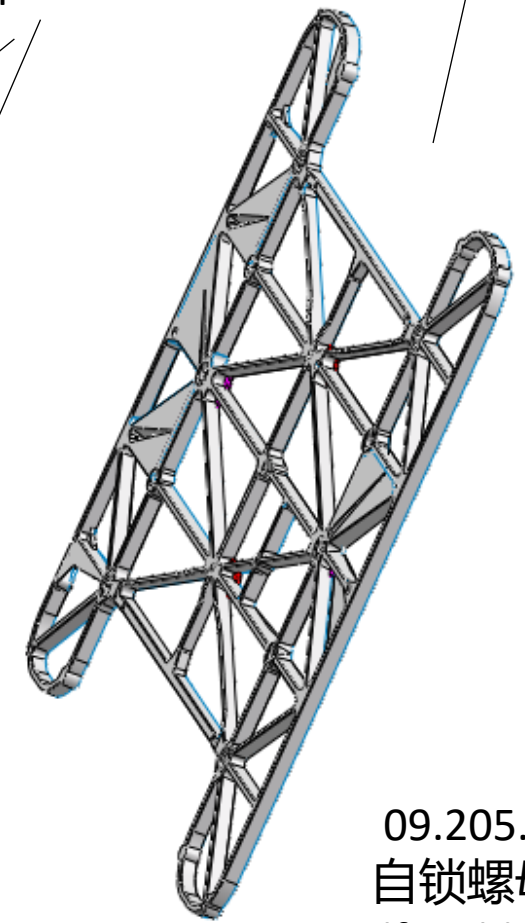
09.204.0003
平垫 M5
Flat Washers M5



02.209.0011
隔离柱-H10.35
Spacer-H10.35



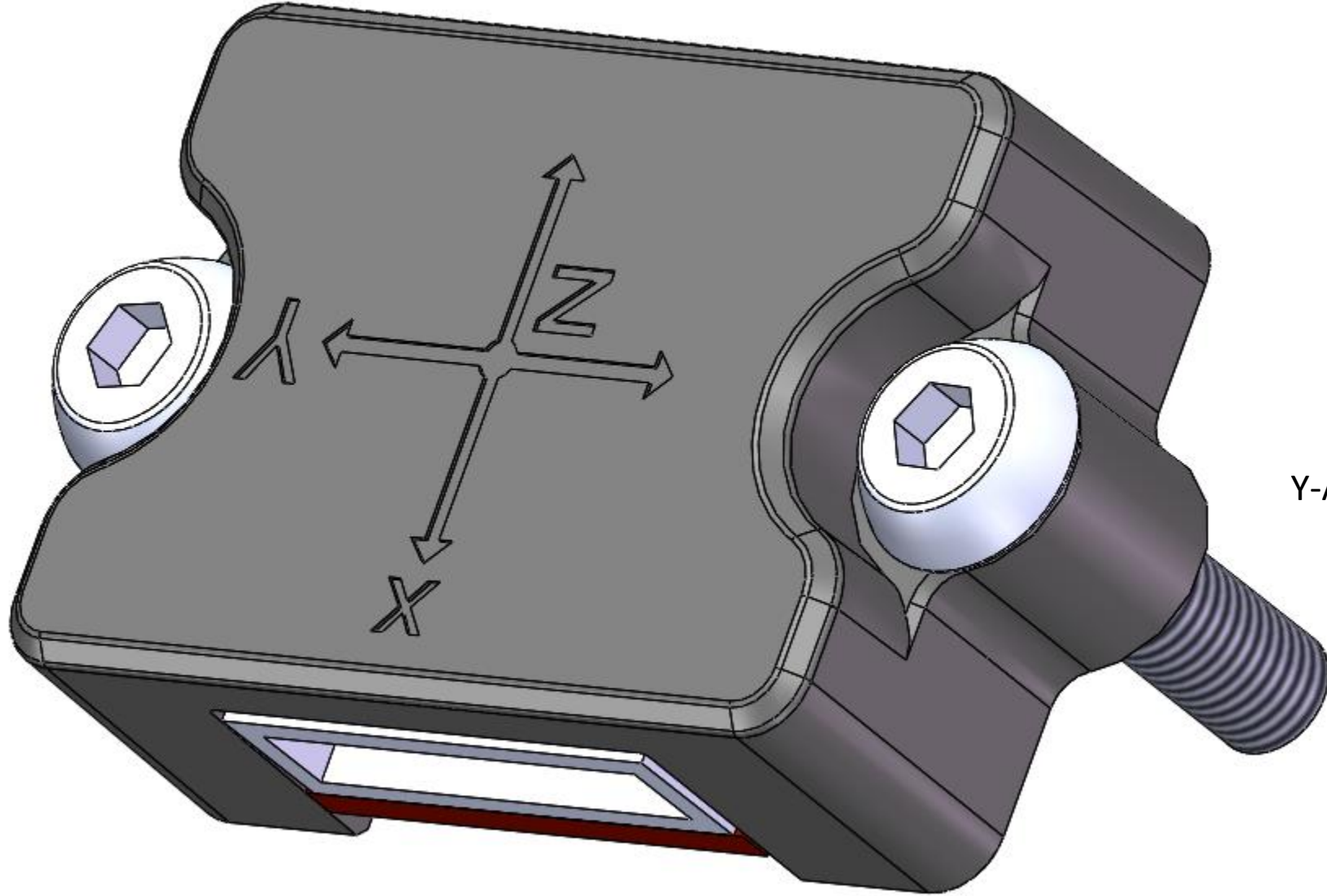
02.209.0003
隔离柱
Spacer



02.202.0005
底部滑块件
Base Slider Assembly

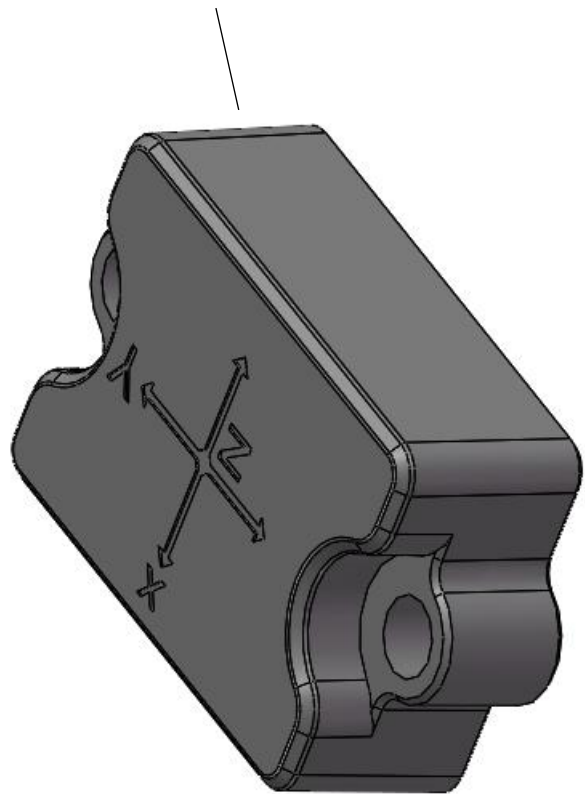
09.205.0001
自锁螺母 M5
Self-Hold Nut M3



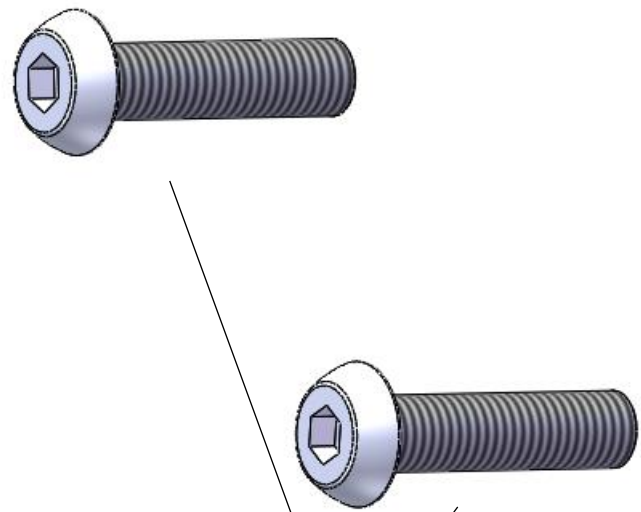
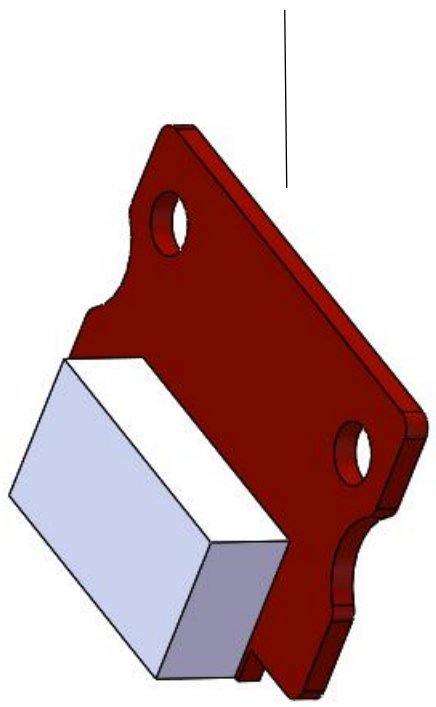


20.206.0031
Y轴加速度模块组件
Y-Axis Acceleration Module Assembly

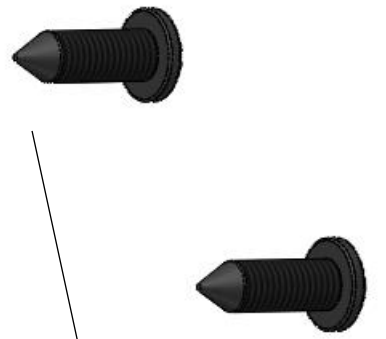
05.201.0131
加速度计外壳
Acceleration Housing



01.201.0031
加速度计PCBA
Acceleration PCBA



09.202.0004
内六角半圆头螺钉 M3*10
M3 x 10 Hex Socket Screws,
Half Round



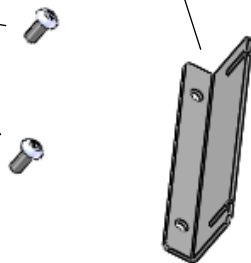
09.206.0010
十字盘头尖尾自攻螺钉/PA 2*6
2 x 6 Cross Pan Head Tapping
Screws with Sharp End



20.205.0097
Neptune 4 Max Y轴同步带组件
Y-Max Timing Belt Assembly

09.202.0025
内六角半圆头螺钉
M4*10
M4 x 10 Hex Socket
Screws, Half Round

03.202.0056
Y轴皮带固定支架-Max
Y-Axis Belt Holder-Max



20.206.0024
Neptune 3 Max Y轴同步带组件
Y-maxTiming Belt Assembly

02.210.0002
皮带铜套-D9



05.202.0009
2M-W10开口同步带
Timing Belt Assembly

